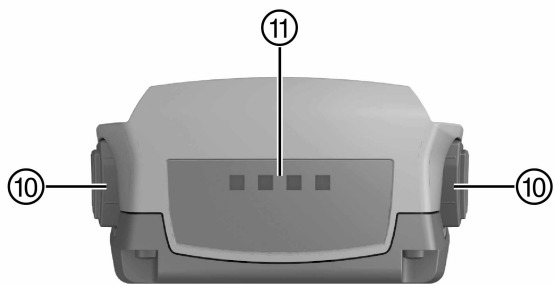
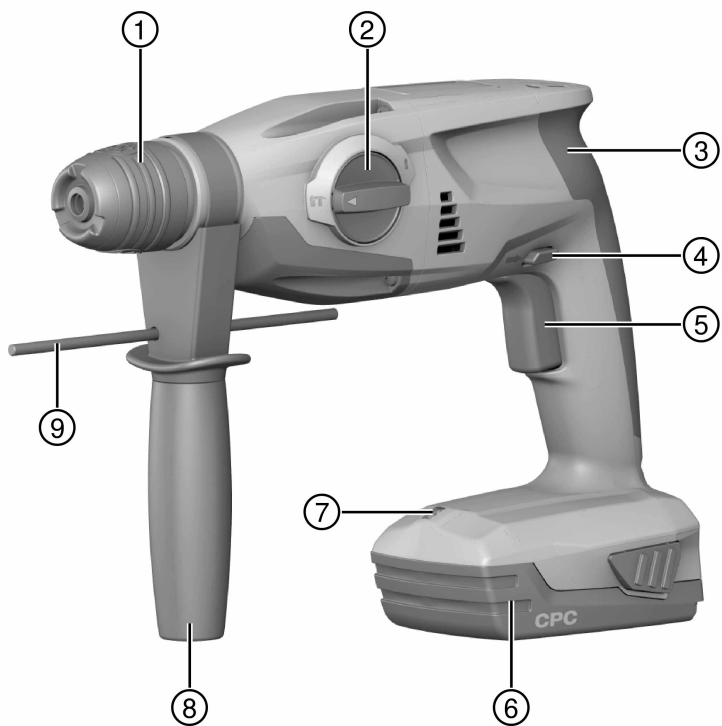




TE 2-A22

English	1
Dansk	10
Svenska	19
Norsk	29
Suomi	38
Русский	47
Български	58
Română	69
Türkçe	79
عربي	89
Latviešu	99
Lietuvių	108
Eesti	118
Қазақ	127
日本語	138
한국어	147
繁體中文	156
中文	165



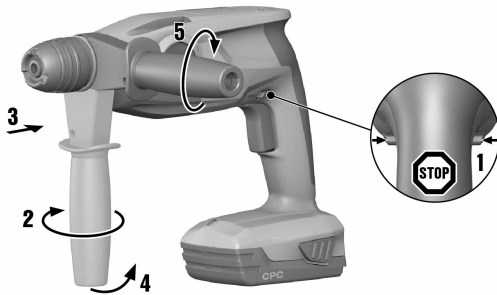
2



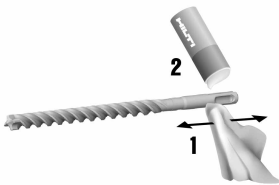
3



4



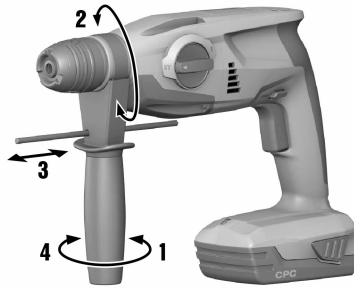
5



6



7



8



# TE 2-A22

en	Original operating instructions	1
da	Original brugsanvisning	10
sv	Originalbruksanvisning	19
no	Original bruksanvisning	29
fi	Alkuperäiset ohjeet	38
ru	Оригинальное руководство по эксплуатации	47
bg	Оригинално Ръководство за експлоатация	58
ro	Manual de utilizare original	69
tr	Orijinal kullanım kılavuzu	79
ar	دليل الاستعمال الأصلي	89
lv	Orīģinālā lietošanas instrukcija	99
lt	Originali naudojimo instrukcija	108
et	Originaalkasutusjuhend	118
kk	Түпнұсқа пайдалану бойынша нұсқаулық	127
ja	オリジナル取扱説明書	138
ko	오리지널 사용설명서	147
zh	原始操作說明	156
cn	原版操作说明	165



# Original operating instructions

## 1 Information about the documentation

### 1.1 About this documentation

- Read this documentation before initial operation or use. This is a prerequisite for safe, trouble-free handling and use of the product.
- Observe the safety instructions and warnings in this documentation and on the product.
- Always keep the operating instructions with the product and make sure that the operating instructions are with the product when it is given to other persons.

### 1.2 Explanation of symbols used

#### 1.2.1 Warnings

Warnings alert persons to hazards that occur when handling or using the product. The following signal words are used:

#### DANGER

##### DANGER !

- ▶ Draws attention to imminent danger that will lead to serious personal injury or fatality.

#### WARNING

##### WARNING !

- ▶ Draws attention to a potential threat of danger that can lead to serious injury or fatality.

#### CAUTION

##### CAUTION !

- ▶ Draws attention to a potentially dangerous situation that could lead to slight personal injury or damage to the equipment or other property.

#### 1.2.2 Symbols in the documentation

The following symbols are used in this document:

	Read the operating instructions before use.
	Instructions for use and other useful information
	Dealing with recyclable materials
	Do not dispose of electric equipment and batteries as household waste

#### 1.2.3 Symbols in the illustrations

The following symbols are used in illustrations:

	These numbers refer to the corresponding illustrations found at the beginning of these operating instructions
	The numbering reflects the sequence of operations shown in the illustrations and may deviate from the steps described in the text
	Item reference numbers are used in the <b>overview illustrations</b> and refer to the numbers used in the <b>product overview section</b>
	This symbol is intended to draw special attention to certain points when handling the product.



### 1.3 Product-dependent symbols

#### 1.3.1 Symbols on the product

The following symbols can be used on the product:

	Drilling without hammer action
	Drilling with hammering action (hammer drilling)
	Forward / reverse
$n_0$	Rated speed under no load
/min	Revolutions per minute
	Direct current (DC)
Li-ion	Li-ion battery
	<b>HilTi</b> Li-ion battery type series used. Observe the information given in the section headed <b>Intended use</b> .
	Never use the battery as a striking tool.
	Do not drop the battery. Never use a battery that has suffered an impact or is damaged in any other way.
	The power tool supports near-field communication (NFC) technology, which is compatible with iOS and Android platforms.

### 1.4 Product information

products are designed for professional users and only trained, authorized personnel are permitted to operate, service and maintain the products. This personnel must be specifically informed about the possible hazards. The product and its ancillary equipment can present hazards if used incorrectly by untrained personnel or if used not in accordance with the intended use.

The type designation and serial number are printed on the rating plate.

- ▶ Write down the serial number in the table below. You will be required to state the product details when contacting Hilti Service or your local Hilti organization to inquire about the product.

#### Product information

Type:	TE 2-A22
Generation:	02
Serial no.:	

### 1.5 Declaration of conformity

We declare, on our sole responsibility, that the product described here complies with the applicable directives and standards. A copy of the declaration of conformity can be found at the end of this documentation.

The technical documentation is filed and stored here:

**Hilti** Entwicklungsgesellschaft mbH | Tool Certification | Hiltistraße 6 | 86916 Kaufering, DE

## 2 Safety

### 2.1 General power tool safety warnings

**WARNING**

**Read all safety warnings and all instructions.** Failure to follow the warnings and instructions may result in electric shock, fire and/or serious injury.

**Save all warnings and instructions for future reference.**

#### Work area safety

- ▶ **Keep work area clean and well lit.** Cluttered or dark areas invite accidents.





- ▶ **Do not operate power tools in explosive atmospheres, such as in the presence of flammable liquids, gases or dust.** Power tools create sparks which may ignite the dust or fumes.
- ▶ **Keep children and bystanders away while operating a power tool.** Distractions can cause you to lose control.

#### Electrical safety

- ▶ **Avoid body contact with earthed or grounded surfaces, such as pipes, radiators, ranges and refrigerators.** There is an increased risk of electric shock if your body is earthed or grounded.
- ▶ **Do not expose power tools to rain or wet conditions.** Water entering a power tool will increase the risk of electric shock.

#### Personal safety

- ▶ **Stay alert, watch what you are doing and use common sense when operating a power tool. Do not use a power tool while you are tired or under the influence of drugs, alcohol or medication.** A moment of inattention while operating power tools may result in serious personal injury.
- ▶ **Use personal protective equipment. Always wear eye protection.** Protective equipment such as dust mask, non-skid safety shoes, hard hat, or hearing protection used for appropriate conditions will reduce personal injuries.
- ▶ **Prevent unintentional starting. Ensure the switch is in the off-position before connecting to battery pack, picking up or carrying the tool.** Carrying power tools with your finger on the switch or energising power tools that have the switch on invites accidents.
- ▶ **Remove any adjusting key or wrench before turning the power tool on.** A wrench or a key left attached to a rotating part of the power tool may result in personal injury.
- ▶ **Do not overreach. Keep proper footing and balance at all times.** This enables better control of the power tool in unexpected situations.
- ▶ **Dress properly. Do not wear loose clothing or jewellery. Keep your hair, clothing and gloves away from moving parts.** Loose clothes, jewellery or long hair can be caught in moving parts.
- ▶ **If devices are provided for the connection of dust extraction and collection facilities, ensure these are connected and properly used.** Use of dust collection can reduce dust-related hazards.

#### Power tool use and care

- ▶ **Do not force the power tool. Use the correct power tool for your application.** The correct power tool will do the job better and safer at the rate for which it was designed.
- ▶ **Do not use the power tool if the switch does not turn it on and off.** Any power tool that cannot be controlled with the switch is dangerous and must be repaired.
- ▶ **Disconnect the battery pack from the power tool before making any adjustments, changing accessories, or storing power tools.** Such preventive safety measures reduce the risk of starting the power tool accidentally.
- ▶ **Store idle power tools out of the reach of children and do not allow persons unfamiliar with the power tool or these instructions to operate the power tool.** Power tools are dangerous in the hands of untrained users.
- ▶ **Maintain power tools. Check for misalignment or binding of moving parts, breakage of parts and any other condition that may affect the power tool's operation. If damaged, have the power tool repaired before use.** Many accidents are caused by poorly maintained power tools.
- ▶ **Keep cutting tools sharp and clean.** Properly maintained cutting tools with sharp cutting edges are less likely to bind and are easier to control.
- ▶ **Use the power tool, accessories and tool bits etc. in accordance with these instructions, taking into account the working conditions and the work to be performed.** Use of the power tool for operations different from those intended could result in a hazardous situation.

#### Battery tool use and care

- ▶ **Recharge only with the charger specified by the manufacturer.** A charger that is suitable for one type of battery pack may create a risk of fire when used with another battery pack.
- ▶ **Use power tools only with specifically designated battery packs.** Use of any other battery packs may create a risk of injury and fire.
- ▶ **When battery pack is not in use, keep it away from other metal objects, like paper clips, coins, keys, nails, screws or other small metal objects, that can make a connection from one terminal to another.** Shorting the battery terminals together may cause burns or a fire.
- ▶ **Under abusive conditions, liquid may be ejected from the battery; avoid contact. If contact accidentally occurs, flush with water. If liquid contacts eyes, additionally seek medical help.** Liquid ejected from the battery may cause irritation or burns.



**Service**

- ▶ **Have your power tool serviced by a qualified repair person using only identical replacement parts.** This will ensure that the safety of the power tool is maintained.

**2.2 Additional safety instructions for rotary hammer****Personal safety**

- ▶ Use the product only when it is in technically faultless condition.
- ▶ Never tamper with or modify the power tool in any way.
- ▶ Use the auxiliary grips supplied with the tool. Loss of control can cause personal injury.
- ▶ Apply appropriate safety measures at the opposite side of the workpiece in work that involves breaking through. Parts breaking away could fall out and / or fall down causing injury to other persons.
- ▶ Always hold the power tool with both hands on the grips provided. Keep the grips clean and dry.
- ▶ Hold the power tool by the insulated gripping surfaces when performing work in which the accessory tool might come into contact with concealed wiring. If the accessory tool comes into contact with a live wire, metal parts of the power tool can also become live, resulting in an electric shock.
- ▶ Avoid touching rotating parts – risk of injury!
- ▶ Wear suitable protective glasses, a hard hat, ear defenders, protective gloves and light respiratory protection while using the power tool.
- ▶ Wear protective gloves also when changing the accessory tool. Touching the accessory tool presents a risk of injury (cuts or burns).
- ▶ Wear eye protection. Flying fragments present a risk of injury to the body and eyes.
- ▶ Before starting work, check the hazard class of the dust that will be produced when working. Use an industrial vacuum cleaner with an officially approved protection class in compliance with the locally applicable dust protection regulations. Dust from materials such as lead-based paint, certain types of wood and concrete/masonry/stone containing quartz, minerals or metal can be harmful to health.
- ▶ Make sure that the workplace is well ventilated and, where necessary, wear a respirator appropriate for the type of dust generated. Contact with or inhalation of the dust can cause allergic reactions and/or respiratory or other diseases to the operator or bystanders. Certain kinds of dust such as oakwood and beechwood dust are classified as carcinogenic, especially in conjunction with additives for wood conditioning (chromate, wood preservative). Only specialists are permitted to handle material containing asbestos.
- ▶ Take breaks and do physical exercises to improve the blood circulation in your fingers. Exposure to vibration during long periods of work can lead to disorders of the blood vessels and nervous system in the fingers, hands and wrists.

**Electrical safety**

- ▶ Before beginning work, check the working area for concealed electric cables, gas pipes and water pipes. External metal parts of the power tool can become live, presenting a risk of electric shock, if you accidentally damage an electric cable.

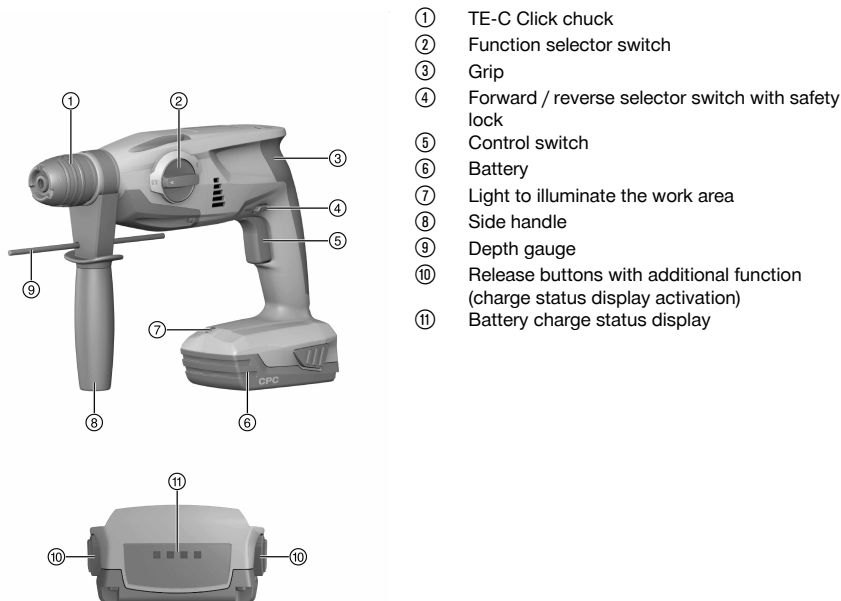
**Power tool use and care**

- ▶ Immediately switch off the power tool if the accessory tool jams. The power tool might twist off-line.
- ▶ Wait until the power tool stops completely before you lay it down.



### 3 Description

#### 3.1 Overview of the product



- ① TE-C Click chuck
- ② Function selector switch
- ③ Grip
- ④ Forward / reverse selector switch with safety lock
- ⑤ Control switch
- ⑥ Battery
- ⑦ Light to illuminate the work area
- ⑧ Side handle
- ⑨ Depth gauge
- ⑩ Release buttons with additional function (charge status display activation)
- ⑪ Battery charge status display

#### 3.2 Intended use

The product described is a battery-powered rotary hammer. It is designed for hammer drilling in concrete and masonry, for drilling in steel, wood and masonry and for driving and removing screws.

- Use only **Hilti** lithium-ion batteries of the B 22 series with this product.
- Use only **Hilti**-approved battery chargers to charge these batteries. More information is available from your **Hilti Store** or from [www.hilti.group](http://www.hilti.group)

#### 3.3 Lithium-ion battery status display

When the lithium-ion battery is used the charge status can be displayed by tapping one of the battery release buttons.

Status	Meaning
4 LEDs light.	Charge status: 75 % to 100 %
3 LEDs light.	Charge status: 50 % to 75 %
2 LEDs light.	Charge status: 25 % to 50 %
1 LED lights.	Charge status: 10 % to 25 %
1 LED blinks.	Charge status: < 10 %

Indication of the charge status is not possible while the power tool is in operation or immediately after operation. If the battery charge status LEDs flash, please refer to the information given in the Troubleshooting section.

#### 3.4 Items supplied

Rotary hammer, side handle, depth gauge, operating instructions.

The TE DRS-S dust removal module greatly reduces dust emissions and is available as an accessory.



## 4 Technical data

### 4.1 Rotary hammer

	<b>TE 2-A22</b>
<b>Rated voltage</b>	21.6 V
<b>Weight in accordance with EPTA Procedure 01 including B228.0 battery</b>	3.3 kg
<b>Drilling diameter range in concrete/masonry (hammer drilling)</b>	4 mm ... 16 mm
<b>Drilling diameter range in metal (solid-head drill bit)</b>	0 mm ... 10 mm
<b>Maximum length of the depth gauge</b>	180 mm

### 4.2 Noise information and vibration values

The sound pressure and vibration values given in these instructions have been measured in accordance with a standardized test and may be used to compare one electric tool with another. They may be used for a preliminary assessment of exposure. The data given represents the main applications of the electric tool. However, if the electric tool is used for different applications, with different accessory tools, or is poorly maintained, the data may vary. This may significantly increase exposure over the total working period. An accurate estimation of exposure should also take into account the times when the power tool is switched off, or when it is running but not actually being used for a job. This may significantly reduce exposure over the total working period. Identify additional safety measures to protect the operator from the effects of noise and/or vibration, for example: maintain the tool and the accessories, keep the hands warm, organization of work patterns.

#### Noise emission values determined in accordance with EN 60745

<b>Sound (power) level (<math>L_{WA}</math>)</b>	103 dB(A)
<b>Uncertainty for the sound power level (<math>K_{WA}</math>)</b>	3 dB(A)
<b>Emission sound pressure level (<math>L_{pA}</math>)</b>	92 dB(A)
<b>Uncertainty for the sound pressure level (<math>K_{pA}</math>)</b>	3 dB(A)

#### Total vibration (vector sum of three directions), measured in accordance with EN 60745

<b>Hammer drilling in concrete (<math>a_{h, HD}</math>)</b>	15 m/s <sup>2</sup>
<b>Drilling in metal (<math>a_{h, D}</math>)</b>	2.5 m/s <sup>2</sup>
<b>Uncertainty (K)</b>	1.5 m/s <sup>2</sup>

### 4.3 Battery

<b>Battery operating voltage</b>	21.6 V
<b>Ambient temperature for operation</b>	-17 °C ... 60 °C
<b>Storage temperature</b>	-20 °C ... 40 °C
<b>Battery charging starting temperature</b>	-10 °C ... 45 °C

## 5 Operation

### 5.1 Preparations at the workplace

#### CAUTION

#### Risk of injury by inadvertent starting!

- ▶ Before inserting the battery, make sure that the product is switched off.
- ▶ Remove the battery before making any adjustments to the power tool or before changing accessories.

Observe the safety instructions and warnings in this documentation and on the product.



### 5.1.1 Fitting the side handle 4

1. Release the side handle clamping band by turning the handle grip.
2. Slide the side handle clamping band over the chuck from the front and into the recess provided.
3. Bring the side handle into the desired position.
4. Tighten the side handle clamping band by turning the handle grip.

### 5.1.2 Inserting the battery 2

1. Push the battery into the battery interface on the tool until it is heard to engage with a click.
2. Check that the battery is seated securely.

### 5.1.3 Removing the battery 3

1. Press the release buttons on the battery.
2. Pull the battery out toward the rear.

### 5.1.4 Fitting the accessory tool 5

1. Apply a little grease to the connection end of the accessory tool.
  - ▶ Use only the recommended grease supplied by Hilti. Use of the wrong grease can result in damage to the tool.
2. Push the accessory tool into the chuck as far as it will go (until it engages).
3. After fitting the accessory tool, grip it and pull it in order to check that it is securely engaged.
  - ▶ The product is ready for use.

### 5.1.5 Removing the accessory tool 6



#### WARNING

**Risk of injury!** The tool becomes hot as a result of use.

- ▶ Wear protective gloves when changing the tool.
- 
- ▶ Pull the chuck back as far as it will go and remove the accessory tool.

### 5.1.6 Fitting the depth gauge (optional) 7

1. Release the side handle clamping band by turning the handle grip.
2. Slide the depth gauge from the front into the 2 guide holes provided.
3. Tighten the side handle clamping band by turning the handle grip.

## 5.2 Types of work



#### ATTENTION

**Risk of damage by incorrect handling!**

- ▶ Do not operate the switches for direction of rotation and/or function selection during operation.
- 

Observe the safety instructions and warnings in this documentation and on the product.

### 5.2.1 Lighting in the workplace



The LED is activated automatically when the control switch is pressed. The LED goes out slowly after the control switch is released.

---

- ▶ Press the control switch.

### 5.2.2 Direction of rotation

- ▶ Set the direction of rotation.
  - ▶ The selector switch engages in this position.

### 5.2.3 Drilling without hammering 8

- ▶ Set the function selector switch to this symbol:

### 5.2.4 Hammer drilling 9

- ▶ Set the function selector switch to this symbol:



## 6 Care and maintenance

---

### 6.1 Care and maintenance

#### **WARNING**

#### **Risk of injury with battery inserted !**

- ▶ Always remove the battery before carrying out care and maintenance tasks!
- 

#### **Care and maintenance of the tool**

- Carefully remove stubborn dirt.
- Clean the air vents carefully with a dry brush.
- Use only a slightly damp cloth to clean the casing. Do not use cleaning agents containing silicone as these can attack the plastic parts.

#### **Care of the Li-ion batteries**

- Keep the battery free from oil and grease.
- Use only a slightly damp cloth to clean the casing. Do not use cleaning agents containing silicone as these may attack the plastic parts.
- Avoid ingress of moisture.

#### **Maintenance**

- Check all visible parts and controls for signs of damage at regular intervals and make sure that they all function correctly.
- Do not operate the product if signs of damage are found or if parts malfunction. Have it repaired immediately by **Hilti Service**.
- After cleaning and maintenance, fit all guards or protective devices and check that they function correctly.



To help ensure safe and reliable operation, use only genuine Hilti spare parts and consumables. Spare parts, consumables and accessories approved by Hilti for use with the product can be found at your local **Hilti Store** or online at: [www.hilti.group](http://www.hilti.group).

---

### 6.2 Cleaning the dust shield

- ▶ Clean the dust shield on the chuck with a dry, clean cloth at regular intervals.
- ▶ Clean the sealing lip by wiping it carefully and then grease it again lightly with **Hilti** grease.
- ▶ It is essential that the dust shield is replaced if the sealing lip is damaged.

## 7 Transport and storage

---

### 7.1 Transport and storage of cordless tools

#### **Transport**

#### **CAUTION**

#### **Accidental starting during transport !**

- ▶ Always transport your products with the batteries removed!
- ▶ Remove the battery.
- ▶ Never transport batteries in bulk form (loose, unprotected).
- ▶ Check the tool and batteries for damage before use after long periods of transport.

#### **Storage**

#### **CAUTION**

#### **Accidental damage caused by defective or leaking batteries !**

- ▶ Always store your products with the batteries removed!
- ▶ Store the tool and batteries in a place that is as cool and dry as possible.
- ▶ Never store batteries in direct sunlight, on heating units or behind a window pane.
- ▶ Store the tool and batteries in a place where they cannot be accessed by children or unauthorized persons.
- ▶ Check the tool and batteries for damage before use after long periods of storage.



## 8 Troubleshooting



### 8.1 Troubleshooting

If the trouble you are experiencing is not listed in this table or you are unable to remedy the problem by yourself, please contact **Hilti Service**.

### 8.2 The rotary hammer is not in working order

Trouble or fault	Possible cause	Action to be taken
The rotary hammer doesn't start.	The rotary hammer has been over-loaded.	► Switch off the rotary hammer, remove the battery and do not continue to use the rotary hammer.
The LEDs indicate nothing.	The battery is not fully inserted.	► Push the battery in until it engages with a double click.
	The battery is discharged.	► Change the battery and charge the empty battery.
	The battery is too hot or too cold.	► Bring the battery to the recommended working temperature.
1 LED blinks.	The battery is discharged.	► Change the battery and charge the empty battery.
	The battery is too hot or too cold.	► Bring the battery to the recommended working temperature.
4 LEDs blink.	The rotary hammer has been over-loaded briefly.	► Release the control switch and then press it again.
	The overheating prevention cut-out has been activated.	► Allow the rotary hammer to cool down and clean the air vents.

### 8.3 The rotary hammer is in working order

Trouble or fault	Possible cause	Action to be taken
No hammering action.	The rotary hammer is too cold.	► Bring the tip of the drill bit into contact with the working surface, switch the rotary hammer on and allow it to run. If necessary, repeat the procedure until the hammering mechanism begins to operate.
	The function selector switch is set to "Drilling without hammering"  .	► Set the function selector switch to "Hammer drilling"  .
The control switch can't be pressed, i.e. the switch is locked.	The forward / reverse switch is in the middle position.	► Push the forward / reverse switch to the right or left.
The drive spindle does not rotate.	The permissible operating temperature of the rotary hammer's electronics has been exceeded.	► Allow the rotary hammer to cool down.
	The battery is discharged.	► Change the battery and charge the empty battery.
The rotary hammer switches itself off automatically.	The overload cut-out has been activated.	► Release the control switch. Allow the rotary hammer to cool down. Press the control switch again. Reduce the load on the tool.
The battery runs down more quickly than usual.	Battery condition is not optimal.	► Replace the battery.



Trouble or fault	Possible cause	Action to be taken
The battery does not engage with an audible "double click".	The retaining lugs on the battery are dirty.	▶ Clean the retaining lugs and reft the battery.
The rotary hammer or the battery gets very hot.	Electrical fault	▶ Switch off the rotary hammer immediately. Remove the battery and keep it under observation. Allow it to cool down. Contact <b>Hilti</b> service.
	The rotary hammer has been over-loaded (application limit exceeded).	▶ Select a tool that is suitable for its intended use.
The insert tool can't be released.	The chuck is not pulled back fully.	▶ Pull the chuck back as far as it will go and remove the tool.
The tool makes no progress.	The rotary hammer has been set to reverse rotation.	▶ Move the forward / reverse selector switch to the "Forward" position.

## 9 Disposal

Most of the materials from which **Hilti** tools and appliances are manufactured can be recycled. The materials must be correctly separated before they can be recycled. In many countries, your old tools, machines or appliances can be returned to **Hilti** for recycling. Ask **Hilti** Service or your Hilti representative for further information.



- ▶ Do not dispose of power tools, electronic equipment or batteries as household waste!

## 10 Manufacturer's warranty

- ▶ Please contact your local **Hilti** representative if you have questions about the warranty conditions.

# Original brugsanvisning

## 1 Oplysninger vedrørende dokumentationen

### 1.1 Vedrørende denne dokumentation

- Læs denne dokumentation igennem før ibrugtagning. Det er en forudsætning for sikkert arbejde og korrekt håndtering.
- Følg sikkerheds- og advarselhensvisningerne i denne dokumentation og på produktet.
- Opbevar altid brugsanvisningen sammen med produktet, og overdrag det kun til andre personer sammen med denne anvisning.

### 1.2 Tegnforklaring

#### 1.2.1 Advarsler

Advarsler advarer mod farer ved håndtering af produktet. Følgende signalord anvendes:



#### FARE !

- ▶ Betegner en umiddelbart truende fare, der kan medføre alvorlige kvæstelser eller døden.



#### ADVARSEL !

- ▶ Står ved en potentielt truende fare, der kan medføre alvorlige kvæstelser eller døden.





**⚠ FORSIGTIG**

**FORSIGTIG !**

- ▶ Betegner en potentielt farlig situation, der kan forårsage lettere personskader eller materielle skader.

**1.2.2 Symboler i denne dokumentation**

Følgende symboler anvendes i denne dokumentation:

	Læs brugsanvisningen før brug
	Anvisninger for anvendelse og andre nyttige oplysninger
	Håndtering af genvindbare materialer
	Elektriske maskiner og batterier må ikke bortskaffes som almindeligt husholdningsaffald

**1.2.3 Symboler i illustrationer**

Følgende symboler anvendes på illustrationer:

<b>2</b>	Disse tal henviser til de forskellige illustrationer i begyndelsen af brugsanvisningen
3	Nummereringen udtrykker arbejdsstrinenes rækkefølge på illustrationen og kan afvige fra arbejds-trinene i teksten
<b>11</b>	Positionsnumre anvendes i illustrationen <b>Oversigt</b> og refererer til tallene i symbolforklaringen i afsnittet <b>Produktoversigt</b>
	Dette symbol skal sikre skærpet opmærksomhed ved omgang med produktet.

**1.3 Produktspecifikke symboler**

**1.3.1 Symboler på produktet**

Følgende symboler kan forekomme på produktet:

	Boring uden slagfunktion
	Boring med slagfunktion (hammerboring)
	Højre-/venstreløb
$n_0$	Nominelt omdrejningstal ubelastet
/min	Omdrejning pr. minut
	Jævnstrøm
Li-Ion	Lithium-ion-batteri
	Anvendt <b>Hilti</b> lithium-ion-batteriserie. Overhold oplysningerne i kapitlet <b>Tilsigtet anvendelse</b> .
	Brug aldrig batteriet som slagværktøj.
	Lad ikke batteriet falde på gulvet. Brug ikke et batteri, der har fået et slag eller på anden vis er beskadiget.
	Maskinen understøtter NFC-teknologi, som er kompatibel med iOS- og Android-platteforme.



## 1.4 Produktoplysninger

-produkter er beregnet til professionel brug og må kun betjenes, efterses og vedligeholdes af autoriseret og instrueret personale. Dette personale skal i særdeleshed informeres om de potentielle farer, der er forbundet med anvendelsen af denne maskine. Der kan opstå farlige situationer ved anvendelse af produktet og det tilhørende udstyr, hvis det anvendes af personer, der ikke er blevet undervist i dens brug, eller hvis det ikke anvendes korrekt i henhold til forskrifterne i denne brugsanvisning.

Typebetegnelse og serienummer fremgår af typeskiltet.

- ▶ Notér serienummeret i den efterfølgende tabel. Du skal bruge produktoplysningerne ved henvendelser til vores lokale afdeling eller vores serviceværksted.

### Produktoplysninger

Type:	TE 2-A22
Generation:	02
Serienummer:	

## 1.5 Overensstemmelseserklæring

Vi erklærer som eneansvarlige, at det beskrevne produkt er i overensstemmelse med gældende direktiver og standarder. Sidst i dette dokument finder du et billede af overensstemmelseserklæringen.

Den tekniske dokumentation er arkiveret her:

Hilti Entwicklungsgesellschaft mbH | Zulassung Geräte | Hiltistraße 6 | 86916 Kaufering, DE

## 2 Sikkerhed

### 2.1 Generelle sikkerhedsanvisninger for elværktøj

**⚠ ADVARSEL! Læs alle sikkerhedsanvisninger og instruktioner.** Hvis sikkerhedsanvisningerne og instruktionerne ikke overholdes, er der risiko for elektrisk stød, brand og/eller alvorlige personskader.

Opbevar alle sikkerhedsanvisninger og instruktioner til senere brug.

#### Arbejdspladssikkerhed

- ▶ **Sørg for at holde arbejdsområdet ryddeligt og godt oplyst.** Uorden eller uoplyste arbejdsområder øger faren for uheld.
- ▶ **Brug ikke elværktøj i eksplosionstruede omgivelser, hvor der er brændbare væsker, gasser eller støv.** Elværktøj kan slå gnister, der kan antænde støv eller dampe.
- ▶ **Sørg for, at andre personer og ikke mindst børn holdes væk fra arbejdsområdet, når elværktøjet er i brug.** Hvis man distraheres, kan man miste kontrollen over maskinen.

#### Elektrisk sikkerhed

- ▶ **Undgå kropskontakt med jordforbundne overflader som f.eks. rør, radiatorer, komfurer og køleskabe.** Hvis din krop er jordforbundet, øges risikoen for elektrisk stød.
- ▶ **Elværktøj må ikke udsættes for regn eller fugt.** Indtrængning af vand i elværktøj øger risikoen for elektrisk stød.

#### Personlig sikkerhed

- ▶ **Det er vigtigt at være opmærksom, se, hvad man laver, og bruge elværktøjet fornuftigt. Anvend aldrig elværktøj, hvis du er træt eller påvirket af stoffer, alkohol eller medicin.** Et øjeblik uopmærksomhed under brugen af elværktøjet kan medføre alvorlige personskader.
- ▶ **Brug beskyttelsesudstyr, og hav altid beskyttelsesbriller på.** Brug af sikkerhedsudstyr som f.eks. støvmaske, skridsikket fodtøj, beskyttelseshjelm eller høreværn afhængigt af elværktøjets type og anvendelse nedsætter risikoen for personskader.
- ▶ **Undgå utilsigtet igangsætning. Kontrollér, at elværktøjet er frakoblet, før du slutter det til batteriet, tager det op eller transporterer det.** Undgå at bære elværktøjet med fingeren på afbryderen, og sørg for, at det ikke er tændt, når det slutes til nettet, da dette øger risikoen for personskader.
- ▶ **Fjern indstillingsværktøj eller skruenøgler, inden elværktøjet tændes.** Hvis et stykke værktøj eller en nøgle sidder i en roterende maskindel, er der risiko for personskader.
- ▶ **Undgå at arbejde i unormale kropstillinger. Sørg for at stå sikkert, mens der arbejdes, og kom ikke ud af balance.** Det er derved nemmere at kontrollere elværktøjet, hvis der skulle opstå uventede situationer.
- ▶ **Brug egnet arbejdstøj. Undgå løse beklædningsgenstande eller smykker. Hold hår, tøj og handsker væk fra dele, der bevæger sig.** Dele, der er i bevægelse, kan gribe fat i løstsiddende tøj, smykker eller langt hår.



- ▶ **Hvis støvudsugnings- og opsamlingsudstyr kan monteres, er det vigtigt, at dette tilsluttes og benyttes korrekt.** Ved at anvende en støvudsugning er det muligt at nedsætte risiciene som følge af støv.

#### Anvendelse og pleje af elværktøjet

- ▶ **Undgå at overbelaste maskinen. Brug altid en maskine, der er beregnet til det stykke arbejde, der skal udføres.** Med det rigtige værktøj arbejder man bedst og mest sikkert inden for det angivne effektområde.
- ▶ **Brug ikke elværktøj, hvis afbryderen er defekt.** En maskine, der ikke kan startes og stoppes, er farlig og skal repareres.
- ▶ **Fjern batteriet, inden du foretager indstillinger, skifter tilbehørsdele eller lægger maskinen væk.** Disse sikkerhedsforanstaltninger forhindrer utilsigtet start af elværktøjet.
- ▶ **Opbevar ubenyttede elværktøjer uden for børns rækkevidde. Lad aldrig personer, der ikke er fortrolige med elværktøjet eller ikke har gennemlæst sikkerhedsanvisningerne benytte dette.** Elværktøj er farligt, hvis det benyttes af ukyndige personer.
- ▶ **Sørg for at pleje elværktøj omhyggeligt. Kontrollér, om bevægelige dele fungerer korrekt og ikke sidder fast, og om delene er brækket eller beskadiget, således at elværktøjets funktion påvirkes. Få beskadigede dele repareret, inden elværktøjet tages i brug.** Mange uheld skyldes dårligt vedligeholdte elværktøjer.
- ▶ **Sørg for, at skæreværktøjer er skarpe og rene.** Omhyggeligt vedligeholdte skæreværktøjer med skarpe skærekanter sætter sig ikke så hurtigt fast og er nemmere at føre.
- ▶ **Anvend elværktøj, tilbehør, indsatsværktøj osv. i overensstemmelse med disse anvisninger. Tag hensyn til arbejdsforholdene og det arbejde, der skal udføres.** I tilfælde af anvendelse af maskinen til formål, som ligger uden for det fastsatte anvendelsesområde, kan der opstå farlige situationer.

#### Anvendelse og pleje af batteridrevet elværktøj

- ▶ **Oplad kun batterier i ladere, der er anbefalet af fabrikanten.** Der er risiko for brand, hvis en lader, der er beregnet til et bestemt batteri, anvendes til opladning af en anden batteritype.
- ▶ **Brug kun de batterier, der er beregnet til elværktøjet.** Brug af andre batterier øger risikoen for personskader og er forbundet med brandfare.
- ▶ **Ikke benyttede batterier må ikke komme i berøring med kontorclips, mønter, nøgler, søm, skruer eller andre små metalgenstande, da disse kan kortslutte kontakterne.** En kortslutning mellem batterikontakterne øger risikoen for personskader i form af forbrændinger.
- ▶ **Hvis batteriet anvendes forkert, kan der løbe væske ud af batteriet. Undgå at komme i kontakt med denne væske.** Batterivæske kan give hudirritation eller forbrændinger. Hvis det alligevel skulle ske, skylles med vand. Søg læge, hvis væsken kommer i øjnene.

#### Service

- ▶ **Sørg for, at elværktøjet kun repareres af kvalificerede fagfolk, og at der altid benyttes originale reservedele.** Dermed sikres størst mulig elværktøjssikkerhed.

## 2.2 Yderligere sikkerhedsanvisninger for borehammer

### Personlig sikkerhed

- ▶ Anvend kun produktet i teknisk fejlfri stand.
- ▶ Foretag aldrig manipulationer eller ændringer på maskinen.
- ▶ Brug de ekstrahåndgreb, som følger med maskinen. Hvis du mister kontrollen, kan det medføre personskader.
- ▶ Ved gennembrydningsarbejde skal du huske at sikre området på den modsatte side. Nedbrydningsdele kan falde ud og/eller ned og volde skade på andre personer.
- ▶ Hold altid maskinen med begge hænder på de dertil beregnede håndtag. Sørg for, at håndgrebene er tørre og rene.
- ▶ Hold maskinen på de isolerede grebsflader, når du udfører opgaver, hvor indsatsværktøjet kan ramme skjulte strømledninger. Ved kontakt med en spændingsførende ledning kan også metalliske værktøjsdele sættes under spænding, hvilket kan medføre elektrisk stød.
- ▶ Undgå berøring af roterende dele - fare for personskader!
- ▶ Anvend egnede beskyttelsesbriller, sikkerhedshjelm, høreværn, beskyttelseshandsker og et let åndedrætsværn under brugen af maskinen.
- ▶ Brug også beskyttelseshandsker, når du skifter værktøj. Berøring af indsatsværktøjet kan medføre snitsår og forbrændinger.
- ▶ Brug øjenværn. Splinterne fra materialet kan medføre skader på legeme og øjne.
- ▶ Find ud af, hvilken fareklasse det støv, der opstår ved arbejdet, har, inden du går i gang med arbejdet. Anvend en industristøvsuger med en officielt tilladt beskyttelsesklassificering, som opfylder de lokale



støvbeskyttelsesbestemmelser. Støv fra materialer såsom blyholdig maling, visse træsorter, beton / murværk / natursten, som indeholder kvarts, og mineraler samt metal kan være sundhedsfarlige.

- ▶ Sørg for en god ventilation af arbejdspladsen, og brug om nødvendigt et åndedrætsværn, som egner sig til den pågældende støvtype. Berøring eller indånding af støv kan medføre allergiske reaktioner og/eller luftvejssygdomme hos brugeren eller personer, der opholder sig i nærheden. Bestemte støvtyper, f.eks. støv fra ege- og bøgetræ, er kræftfremkaldende, især i forbindelse med tilsætningsstoffer til træbehandling (kromat, træbeskyttelsesmidler). Asbestholdige materialer må kun håndteres af fagfolk.
- ▶ Hold pauser under arbejdet, og lav øvelser, så dine fingre får en bedre blodgennemstrømning. Ved længerevarende arbejde kan vibrationer medføre forstyrrelser af fingrenes, hændernes eller håndleddenes blodkar og nervesystem.

### Elektrisk sikkerhed

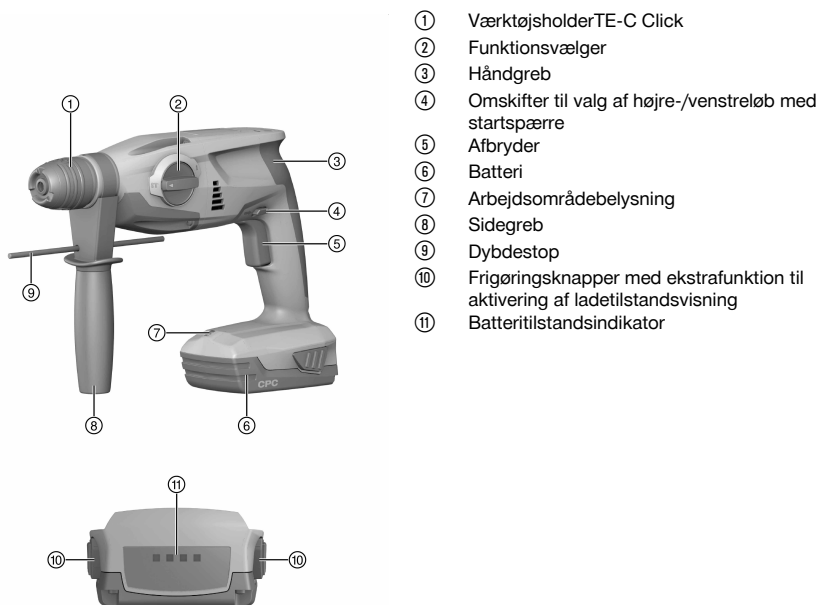
- ▶ Kontrollér før påbegyndelse af arbejdet arbejdsområdet for skjulte elektriske ledninger, gas- og vandrør, f.eks. med en metaldetektor. Uvendige metaldele på maskinen kan medføre elektrisk stød, hvis du ved en fejl kommer til at beskadige en elledning.

### Omhyggelig omgang med og brug af elværktøj

- ▶ Sluk omgående elværktøjet, når værktøjet er blokeret. Maskinen kan trække til siden.
- ▶ Vent, indtil elværktøjet er standset helt, før du lægger det fra dig.

## 3 Beskrivelse

### 3.1 Produktoversigt



- 1 Værktøjsholder TE-C Click
- 2 Funktionsvælger
- 3 Håndgreb
- 4 Omskifter til valg af højre-/venstreløb med startspærre
- 5 Afbryder
- 6 Batteri
- 7 Arbejdsområdebelysning
- 8 Sidegreb
- 9 Dybdestop
- 10 Frigøringsknapper med ekstrafunktion til aktivering af ladetilstandsvision
- 11 Batteritilstandsindikator

### 3.2 Tilsigtet anvendelse

Det beskrevne produkt er en batteridrevet borehammer. Det er beregnet til boring i stål, træ og murværk, til hammerboring i beton og murværk og til iskrining og løsning af skruer.

- Anvend kun **Hilti** Li-Ion-batterier i typeserien B 22 til dette produkt.
- Anvend kun ladere, som **Hilti** har godkendt, til disse batterier. Yderligere oplysninger finder du i din **Hilti Store** eller under: [www.hilti.group](http://www.hilti.group)



### 3.3 Indikator for lithium-ion-batteriet

Ved anvendelse af lithium-ion-batterier er det muligt at få vist ladetilstanden ved at berøre frigøringsknapperne med fingrene.

Tilstand	Betydning
4 lysdioder lyser.	Ladetilstand: 75 % til 100 %
3 lysdioder lyser.	Ladetilstand: 50 % til 75 %
2 lysdioder lyser.	Ladetilstand: 25 % til 50 %
1 lysdiode lyser.	Ladetilstand: 10 % til 25 %
1 lysdiode blinker.	Ladetilstand: < 10 %

Under arbejdet og lige efter er det ikke muligt at få vist ladetilstanden. Hvis lysdioderne på batteriets ladetilstandsindikator blinker, henvises til beskrivelsen i kapitlet Fejlsgøning.

### 3.4 Leveringsomfang

Borehammer, sidegreb, dybdestop, brugsanvisning.

Støvmodulet TE DRS-S er tilbehør til at skabe støvfrit arbejde.

Andre systemprodukter, som er godkendt til dit produkt, finder du i **Hilti Store** eller på: **www.hilti.group**

## 4 Tekniske data

### 4.1 Borehammer

	TE 2-A22
<b>Nominal spænding</b>	21,6 V
<b>Vægt i henhold til EPTA Procedure 01 inklusive batteri B228.0</b>	3,3 kg
<b>Boreområde i beton/murværk (hammerboring)</b>	4 mm ... 16 mm
<b>Boreområde i metal (massivt bor)</b>	0 mm ... 10 mm
<b>Maks. længde af dybdestop</b>	180 mm

### 4.2 Støjinformation og vibrationsværdier

Lydtryk- og vibrationsværdier i denne brugsanvisning er målt i henhold til en standardiseret målemetode og kan anvendes til sammenligning af forskellige elværktøjer. De kan også anvendes til en foreløbig vurdering af den eksponering, brugeren udsættes for. De anførte data repræsenterer elværktøjets primære anvendelsesformål. Hvis elværktøjet imidlertid anvendes til andre formål, med andre indsatsværktøjer eller utilstrækkelig vedligeholdelse, kan dataene afvige. Dette kan forøge den eksponering, som brugeren udsættes for, i hele arbejdstiden markant. For at opnå en præcis vurdering af den eksponering, som brugeren udsættes for, bør også den tid, hvor maskinen er slukket eller blot kører uden at blive anvendt, inddrages. Dette kan reducere den eksponering, som brugeren udsættes for, i hele arbejdstiden markant. Fastlæg yderligere sikkerhedsforanstaltninger til beskyttelse af brugeren mod støj- og/eller vibrationspåvirkninger, f.eks. er det vigtigt at vedligeholde elværktøj og indsatsværktøj, at holde hænderne varme og at organisere arbejdsprocesserne.

#### Støjemissionsværdier beregnet iht. EN 60745

<b>Lydeffektniveau (<math>L_{WA}</math>)</b>	103 dB(A)
<b>Usikkerhed, lydeffektniveau (<math>K_{WA}</math>)</b>	3 dB(A)
<b>Lydtrykniveau (<math>L_{pA}</math>)</b>	92 dB(A)
<b>Usikkerhed, lydtrykniveau (<math>K_{pA}</math>)</b>	3 dB(A)

#### Samlede vibrationsværdier (vektorsum i tre retninger), beregnet iht. EN 60745

<b>Hammerboring i beton (<math>a_{h,HD}</math>)</b>	15 m/s <sup>2</sup>
<b>Boring i metal (<math>a_{h,D}</math>)</b>	2,5 m/s <sup>2</sup>
<b>Usikkerhed (K)</b>	1,5 m/s <sup>2</sup>



**4.3 Batteri**

Batteriets driftsspænding	21,6 V
Omgivende temperatur under drift	-17 °C ... 60 °C
Opbevaringstemperatur	-20 °C ... 40 °C
Batteriets temperatur ved start af ladning	-10 °C ... 45 °C

**5 Betjening****5.1 Forberedelse af arbejdet****⚠ FORSIGTIG****Fare for personskader på grund af utilsigtet start!**

- ▶ Før isætning af batteriet skal du kontrollere, at det tilhørende produkt er slukket.
- ▶ Fjern batteriet fra maskinen, inden du foretager indstillinger eller skifter tilbehørsdele på den.

Følg sikkerheds- og advarselshenvisningerne i denne dokumentation og på produktet.

**5.1.1 Montering af sidegreb 4**

1. Drej på grebet for at løsne sidegrebets holder (spændebånd).
2. Skub holderen (spændebånd) på forfra over værktøjsholderen frem til den dertil beregnede not.
3. Anbring sidegrebet i den ønskede position.
4. Drej på grebet for at spænde sidegrebets holder (spændebånd).

**5.1.2 Isætning af batteri 2**

1. Sæt batteriet i maskinholderen, indtil det går hørbart i indgreb.
2. Kontrollér, at batteriet er sat korrekt i.

**5.1.3 Fjernelse af batteri 3**

1. Tryk på batteriets frigøringsknapper.
2. Træk batteriet tilbage og ud.

**5.1.4 Isætning af indsatsværktøj 5**

1. Smør indsatsværktøjets indstiksende med et tyndt lag fedt.
  - ▶ Anvend kun originalt fedt fra Hilti. En forkert fedttype kan medføre skader på maskinen.
2. Sæt indsatsværktøjet i værktøjsholderen indtil anslag, og lad det gå i indgreb.
3. Kontrollér efter isætning, at værktøjet sidder sikkert fast ved at trække i det.
  - ▶ Produktet er klar til brug.

**5.1.5 Udtagning af indsatsværktøj 6****⚠ ADVARSEL****Fare for personskader** Værktøjet bliver varmt under brug.

- ▶ Brug beskyttelseshandsker, når du skifter værktøj.

- ▶ Træk værktøjslåsen tilbage indtil anslag, og tag indsatsværktøjet ud.

**5.1.6 Montering af dybdestop (ekstratilbehør) 7**

1. Drej på grebet for at løsne sidegrebets holder (spændebånd).
2. Skub dybdestoppet på forfra ind i de dertil beregnede 2 styrehuller.
3. Drej på grebet for at spænde sidegrebets holder (spændebånd).

**5.2 Arbejde****⚠ VIGTIGT****Fare for beskadigelse på grund af forkert håndtering!**

- ▶ Tryk ikke på kontakten for rotationsretning og/eller funktionsvalg under brugen.



Følg sikkerheds- og advarselshenvisningerne i denne dokumentation og på produktet.

### 5.2.1 Arbejdspladsbelysning



Lysdioden aktiveres automatisk ved betjening af afbryderen. Når du har sluppet afbryderen, slukkes lysdioden langsomt.

- ▶ Tryk på afbryderen.

### 5.2.2 Omdrejningsretning

- ▶ Indstil omdrejningsretningen.
  - ▶ Omskifteren går i hak i denne stilling.

### 5.2.3 Boring uden slagfunktion

- ▶ Sæt funktionsvælgeren på dette symbol:

### 5.2.4 Boring med slagfunktion

- ▶ Sæt funktionsvælgeren på dette symbol:

## 6 Rengøring og vedligeholdelse

### 6.1 Rengøring og vedligeholdelse

#### ADVARSEL

**Fare for personskader ved isat batteri !**

- ▶ Fjern altid batteriet før alle pleje- og vedligeholdelsesarbejder!

#### Pleje af produktet

- Fjern forsigtigt fastsiddende snavs.
- Rengør forsigtigt ventilationsåbningerne med en tør børste.
- Rengør kun kabinettet med en let fugtet klud. Undlad at anvende silikoneholdige plejemidler, da de kan angribe plastdelene.

#### Pleje af lithium-ion-batterier

- Sørg for at holde batteriet tørt og fri for olie og fedt.
- Rengør kun kabinettet med en let fugtet klud. Undlad at anvende silikoneholdige plejemidler, da de kan angribe plastdelene.
- Undgå indtrængen af fugt.

#### Vedligeholdelse

- Kontrollér regelmæssigt alle synlige dele for skader, og at betjeningselementerne fungerer fejlfrit.
- Anvend ikke produktet i tilfælde af beskadigelse og/eller funktionsfejl. Få omgående udført reparation hos **Hilti Service**.
- Monter alle beskyttelsesanordninger efter pleje- og vedligeholdelsesarbejder, og kontrollér dem for funktion.



Anvend kun originale reservedele og forbrugsmaterialer af hensyn til en sikker drift. Reservedele, forbrugsmaterialer og tilbehør til dit produkt, som vi har godkendt, finder du i dit **Hilti Store Center** eller under: [www.hilti.group](http://www.hilti.group).

### 6.2 Rengøring af støvkappen

- ▶ Rengør regelmæssigt støvkappen på værktøjsholderen med en ren, tør klud.
- ▶ Tør forsigtigt tætningen ren, og påfør den derefter et tyndt lag **Hilti**-fedt.
- ▶ Udskift altid støvkappen, hvis tætningen er beskadiget.



## 7 Transport og opbevaring

### 7.1 Transport og opbevaring af batteridrevne maskiner

#### Transport

#### FORSIGTIG

#### Utsigtsig start ved transport !

► Transportér altid dine produkter uden isat batteri!

- Tag batteriet ud.
- Transportér aldrig batterier liggende løst og ubeskyttet.
- Kontrollér maskine og batterier for skader før ibrugtagning efter længere transport.

#### Opbevaring

#### FORSIGTIG

#### Utsigtsig beskadigelse på grund af defekte eller utætte batterier !

- Opbevar altid dine produkter uden isat batteri!
- Opbevar maskine og batterier så køligt og tørt som muligt.
- Opbevar aldrig batterier i direkte sollys, på radiatorer eller i et vindue.
- Opbevar maskine og batterier utilgængeligt for børn og uvedkommende personer.
- Kontrollér maskine og batterier for skader før ibrugtagning efter længere tids opbevaring.

## 8 Fejlsøgning

### 8.1 Fejlafhjælpning

Ved fejl, som ikke fremgår af denne tabel, eller som du ikke selv kan afhjælpe, beder vi dig om at kontakte Hilti Service.

### 8.2 Borehammeryn er ikke funktionsdygtig

Fejl	Mulig årsag	Løsning
Borehammeryn starter ikke.	Borehammer overbelastet.	► Sluk borehammeryn, fjern batteriet, og anvend ikke borehammeryn mere.
Lysdioder er ikke aktive.	Batteriet er ikke korrekt isat.	► Bring batteriet i indgreb med et dobbeltklik.
	Aflad batteri.	► Udskift batteriet, og oplad det tomme batteri.
	Batteriet er for varmt eller for koldt.	► Bring batteriet op på den anbefalede arbejdstemperatur.
1 lysdiode blinker.	Aflad batteri.	► Udskift batteriet, og oplad det tomme batteri.
	Batteriet er for varmt eller for koldt.	► Bring batteriet op på den anbefalede arbejdstemperatur.
4 lysdioder blinker.	Borehammer kortvarigt overbelastet.	► Slip afbryderen, og betjen den igen.
	Overophedningsbeskyttelse.	► Lad borehammeryn køle af, og rengør ventilationsåbningerne.

### 8.3 Borehammeryn er funktionsdygtig

Fejl	Mulig årsag	Løsning
Ingen slagfunktion.	Borehammer for kold.	► Sæt borehammeryn på underlaget, og lad den køre i tomgang. Gentag om nødvendigt proceduren, indtil slagmekanismen arbejder.





Fejl	Mulig årsag	Løsning
Ingen slagfunktion.	Funktionsvælger på "Boring uden slagfunktion" .	► Sæt funktionsvælgeren på "Hammerboring" T.
Omdrejningsreguleringen kan ikke trykkes ned eller er blokeret.	Omskifter til valg af højre-/venstre-løb i midterposition.	► Tryk omskifteren til valg af højre-/venstre-løb til højre eller venstre.
Maskinens spindel roterer ikke.	Den maks. tilladte driftstemperatur i borehammers elektroniske system er overskredet.	► Lad borehammeren køle af.
	Aflad batteri.	► Udskift batteriet, og oplad det tomme batteri.
Borehammeren slukkes automatisk.	Overbelastningsbeskyttelsen aktiveres.	► Slip afbryderen. Lad borehammeren køle af. Bøtjen afbryderen igen. Reducer maskinens belastning.
Batteriet aflades hurtigere end normalt.	Batteritilstanden er ikke optimal.	► Udskift batteriet.
Batteriet går ikke i indgreb med et tydeligt dobbeltklik.	Låsetapperne på batteriet er beskidte.	► Rengør holdetapperne, og bring batteriet i indgreb igen.
Kraftig varmeudvikling i borehammer eller batteri.	Elektrisk defekt	► Sluk omgående borehammeren. Tag batteriet ud, og hold øje med det. Lad det køle af. Kontakt <b>Hilti Service</b> .
	Borehammer overbelastet (anvendelsesgrænse overskredet).	► Vælg en maskine, der egner sig til opgaven.
Værktøjet kan ikke frigøres.	Borepatronen er ikke trukket helt tilbage.	► Træk værktøjslåsen tilbage indtil anslag, og tag værktøjet ud.
Værktøjet trænger ikke ind.	Borehammer indstillet til venstre-løb.	► Indstil omskifteren til valg af højre-/venstre-løb til højreløb.

## 9 Bortskaffelse

Størstedelen af de materialer, som anvendes ved fremstillingen af **Hilti**-produkter, kan genvindes. Materialerne skal sorteres, før de kan genvindes. I mange lande modtager **Hilti** dine udtjente maskiner med henblik på genvinding. Spørg **Hilti** kundeservice eller din forhandler.



- Elværktøj, elektriske maskiner og batterier må ikke bortskaffes sammen med almindeligt husholdningsaffald!

## 10 Producentgaranti

- Hvis du har spørgsmål vedrørende garantibetingelserne, bedes du henvende dig til din lokale **Hilti**-partner.

# Originalbruksanvisning

## 1 Uppgifter för dokumentation

### 1.1 Om denna dokumentation

- Läs denna dokumentation innan du börjar ta enheten i drift. Det är en förutsättning för säkert arbete och problemfri hantering.
- Observera de säkerhets- och varningsanvisningar som du hittar i dokumentationen och på själva enheten.
- Förvara alltid bruksanvisningen tillsammans med produkten och överlämna aldrig produkten till någon annan utan att bifoga den.



## 1.2 Teckenförklaring

### 1.2.1 Varningar

Varningarna är till för att varna för risker i samband med användning av produkten. Följande riskindikeringar används:

#### FARA

##### FARA !

- ▶ Anger överhängande risker som kan leda till svåra personskador eller dödsolycka.

#### VARNING

##### VARNING !

- ▶ Anger potentiella risker som kan leda till svåra personskador eller dödsfall.

#### FÖRSIKTIGHET

##### FÖRSIKTIGHET !

- ▶ Används för att fästa uppmärksamhet på en potentiell risksituation som kan leda till skador på person eller utrustning.

### 1.2.2 Symboler i dokumentationen

I den här dokumentationen används följande symboler:

	Läs bruksanvisningen före användning
	Anmärkningar och annan praktisk information
	Hantering av återvinningsbara material
	Elverktyg och batterier får inte kastas i hushållssoporna

### 1.2.3 Symboler i bilderna

Följande symboler används i bilder:

	Dessa siffror hänvisar till motsvarande bild i början av bruksanvisningen
	Numreringen återger ordningsföljden hos arbetsmomenten på bilden och kan skilja sig från arbetsmomenten i texten
	På bilden <b>Översikt</b> används positionsnummer som hänvisar till siffrorna i teckenförklaringen i avsnittet <b>Produktöversikt</b>
	Det här tecknet är till för att du ska vara extra uppmärksam på något som gäller hur du hanterar produkten.

## 1.3 Produktberoende symboler

### 1.3.1 Symboler på produkten

Följande symboler kan förekomma på produkten:

	Borring utan slag
	Borring med slag (hammarborring)
	Rotationsriktning
$n_0$	Nominellt varvtal, obelastat
/min	Varv per minut



	Likström
Li-Ion	Litiumjonbatteri
	<b>Hilti-litiumjonbatteriserie</b> som används. Observera uppgifterna i kapitlet <b>Avsedd användning</b> .
	Använd aldrig batteriet som slagverktyg.
	Låt inte batteriet falla ner på marken. Använd inte batterier som har utsatts för slag eller på annat sätt har skadats.
	Verktyget stöder NFC-teknik, som är kompatibel med iOS- och Android-plattformar.

## 1.4 Produktinformation

**HILTI**-produkter är avsedda för professionella användare och får endast användas, underhållas och repareras av auktoriserad, utbildad personal. Personalen måste vara särskilt informerad om de risker som finns. Produkten och dess tillbehör kan utgöra en risk om den används på ett felaktigt sätt av utbildad personal eller inte används enligt föreskrifterna.

Typbeteckning och serienummer anges på typskylten.

- ▶ Använd de serienummer som anges i följande tabell. Du behöver produktuppgifterna när du kontaktar vår återförsäljare eller serviceverkstad.

### Produktdetaljer

Typ:	TE 2-A22
Generation:	02
Serienr:	

## 1.5 Försäkran om överensstämmelse

Vi försäkrar på eget ansvar att den produkt som beskrivs här överensstämmer med tillämpliga direktiv och standarder. En bild på försäkran om överensstämmelse hittar du i slutet av dokumentationen.

Den tekniska dokumentationen finns sparad här:

Hilti Entwicklungsgesellschaft mbH | Zulassung Geräte | Hiltistraße 6 | 86916 Kaufering, Tyskland

## 2 Säkerhet

### 2.1 Allmänna säkerhetsföreskrifter för elverktyg

**⚠ WARNING! Läs alla säkerhetsföreskrifter och anvisningar.** Om säkerhetsföreskrifterna och anvisningarna inte följs finns risk för elektriska stöt, brand och/eller svåra skador.

Förvara alla säkerhetsföreskrifter och anvisningarna på ett säkert ställe för framtida användning.

#### Säker arbetsmiljö

- ▶ **Håll arbetsområdet rent och väl belyst.** Oordning eller bristfällig belysning på arbetsplatsen kan leda till olyckor.
- ▶ **Arbeta inte med elverktyget i omgivning med explosionsrisk där det finns brännbara vätskor, gaser eller damm.** Elverktyg alstrar gnistor som kan antända dammet eller gaserna.
- ▶ **Håll barn och obehöriga personer på betryggande avstånd under arbetet med elverktyget.** Om du störs av obehöriga personer kan du förlora kontrollen över verktyget.

#### Elektrisk säkerhet

- ▶ **Undvik kroppskontakt med jordade ytor som rör, värmeelement, spisar och kylskåp.** Det finns en större risk för elstöt om din kropp är jordad.
- ▶ **Skydda elverktyget från regn och väta.** Tränger vatten in i ett elverktyg ökar risken för elstöt.

#### Personsäkerhet

- ▶ **Var uppmärksam, se upp med vad du gör och använd elverktyg med förnuft.** Använd aldrig elverktyg om du är trött eller påverkad av droger, alkohol eller medicin. En kort sekund av bristande uppmärksamhet när du arbetar med ett elverktyg kan leda till att du skadar dig själv eller någon annan svårt.



- ▶ **Bär alltid personlig skyddsutrustning och skyddsglasögon.** Genom att använda personlig skyddsutrustning som t.ex. dammskyddsmask, halkfria säkerhetsskor, hjälm eller hörselskydd, beroende på vilket elverktyg du använder och till vad, minskar du risken för kroppsskada.
- ▶ **Undvik oavsiktlig igångsättning. Kontrollera att elverktyget är avstängt innan du ansluter det till batteriet, tar upp det eller bär det.** Om du bär elverktyget med fingret på strömbrytaren eller ansluter ett tillkopplat verktyg till nätströmmen kan en olycka inträffa.
- ▶ **Ta bort alla inställningsverktyg och skruvnycklar innan du kopplar in elverktyget.** Ett verktyg eller en nyckel i en roterande komponent kan leda till skador.
- ▶ **Undvik en onormal kroppshållning. Se till att du står stadigt och håller balansen.** Då kan du lättare kontrollera elverktyget i oväntade situationer.
- ▶ **Bär lämpliga kläder. Bär inte löst hängande kläder eller smycken. Håll håret, kläderna och hämskarna på avstånd från rörliga delar.** Löst hängande kläder, smycken och långt hår kan dras in av roterande delar.
- ▶ **När du använder elverktyg med anordningar för uppsugning och uppsamling av damm, bör du kontrollera att dessa anordningar är rätt monterade och används korrekt.** Används en dammsugare kan faror som orsakas av damm minskas.

#### Användning och hantering av elprodukter

- ▶ **Överbelasta inte verktyget. Använd elverktyg som är avsedda för det aktuella arbetet.** Med ett lämpligt elverktyg kan du arbeta bättre och säkrare inom angivet effektområde.
- ▶ **Använd aldrig elverktyget om strömbrytaren är defekt.** Ett elverktyg som inte kan kopplas in eller ur är farligt och måste repareras.
- ▶ **Ta ut batteriet innan du gör inställningar, byter tillbehör eller lägger ifrån dig verktyget.** Denna skyddsåtgärd förhindrar att du eller någon annan råkar sätta igång elverktyget av misstag.
- ▶ **Förvara elprodukter oåtkomligt för barn. Produkten får inte användas av personer som inte är vana eller inte har läst dessa anvisningar.** Elprodukter är farliga om de används av oerfarna personer.
- ▶ **Underhåll elverktygen noggrant. Kontrollera att rörliga komponenter fungerar felfritt och inte kärvar och att komponenter inte har brustit eller skadats så att elverktygets funktion påverkas negativt. Se till att skadade delar repareras innan verktyget används igen.** Många olyckor orsakas av dåligt skötta elverktyg.
- ▶ **Håll insatsverktygen skarpa och rena.** Omsorgsfullt skötta insatsverktyg med skarpa eggar kommer inte så lätt i kläm och går lättare att styra.
- ▶ **Håll produkten, tillbehör, insatsverktyg osv. enligt dessa anvisningar. Ta hänsyn till arbetsvillkoren och arbetsmomenten.** Används produkten på icke ändamålsenligt sätt kan farliga situationer uppstå.

#### Användning och hantering av batteriverktyg

- ▶ **Ladda endast batterierna i de laddare som tillverkaren har rekommenderat.** Brandrisk kan uppstå om en laddare som är avsedd för en viss typ av batterier används för andra batterityper.
- ▶ **Använd endast batterier som är avsedda för aktuellt elverktyg.** Används andra batterier finns det risk för kroppsskada och brand.
- ▶ **Håll gem, mynt, nycklar, spikar, skruvar och andra små metallföremål på avstånd från reservbatterier för att undvika kortslutning av kontakterna.** En kortslutning av batteriets kontakter kan leda till brännskador eller brand.
- ▶ **Om batteriet används på fel sätt kan vätska rinna ur batteriet. Undvik kontakt med vätskan.** Batterivätskan kan orsaka hudirritation eller brännskada. Vid oavsiktlig kontakt, skölj med vatten. Kontakta läkare om vätskan kommer i kontakt med ögonen.

#### Service

- ▶ **Låt endast kvalificerad fackpersonal reparera produkten och använd då endast originalreservdelar.** Detta garanterar att produktens säkerhet upprätthålls.

## 2.2 Ytterligare säkerhetsföreskrifter för borrhammare

### Personsäkerhet

- ▶ Använd verktyget bara om det är fullt funktionsdugligt.
- ▶ Manipulera eller ändra aldrig något på verktyget.
- ▶ Använd de extrahandtag som levereras tillsammans med verktyget. Tappar du kontrollen över verktyget kan det leda till skador.
- ▶ Vid genombrottsarbeten, tänk på att säkra området på motstående sida. Annars finns det risk för att det material som lossnar ramlar ner eller skjuter iväg och skadar människor i närheten.
- ▶ Håll alltid verktyget i handtagen med båda händerna. Håll alltid handtaget torrt och rent.



- ▶ Håll verktyget i de isolerade greppytorna medan du arbetar, eftersom det kan finnas risk att insatsverktyget stöter på en dold elledning. Vid kontakt med en spänningssatt ledning kan metalldelar på verktyget spänningssättas och ge dig en stöt.
- ▶ Rör inte vid roterande delar – risk för personskada!
- ▶ Använd lämpliga skyddsglasögon, skyddshjälm, hörselskydd, skyddshandskar och ett lätt andningsskydd när du arbetar med verktyget.
- ▶ Använd skyddshandskar även vid byte av insatsverktyg. Det finns risk för skär- och brännskador vid beröring av nyss använda insatsverktyg.
- ▶ Använd skyddsglasögon. Splitter kan skada oskyddade kroppsdelar och ögon.
- ▶ Ta bort de dammpartiklar som har uppstått innan arbetet i riskklassen startas. Använd en byggdamm-sugare med en standardskyddsklassificering som motsvarar de lokala dammskyddsbestämmelserna. Damm från material med blyhaltig färg, vissa träslag, betong, tegel, sten som innehåller kvarts, mineraler och metall kan vara hälsovådliga.
- ▶ Se till att arbetsplatsen har god ventilation, och använd vid behov en andningsmask som är avsedd för damm av det aktuella slaget. Beröring eller inandning av damm kan orsaka allergiska reaktioner och/eller sjukdomar i andningsvägarna hos användaren eller hos personer som befinner sig i närheten. Vissa slags damm, till exempel från ek eller bok, anses vara cancerframkallande, särskilt i kombination med tillsatämnen för behandling av trä (kromat, träskyddsmedel). Asbesthaltigt material får bara hanteras av särskilt utbildad personal.
- ▶ Gör pauser i arbetet och utför fingerövningar som ökar blodgenomströmningen i fingrarna. Vid långvarigt, ihållande arbete kan vibrationerna ge besvär i blodkärl och nerver i fingrarna, händerna och handlederna.

#### **Elektrisk säkerhet**

- ▶ Undersök om det finns dolda el-, gas- och vattenledningar inom arbetsområdet innan du påbörjar arbetet. Utanpåliggande metalldelar på verktyget kan orsaka elstötar om du oavsiktligt råkar skada en elledning.

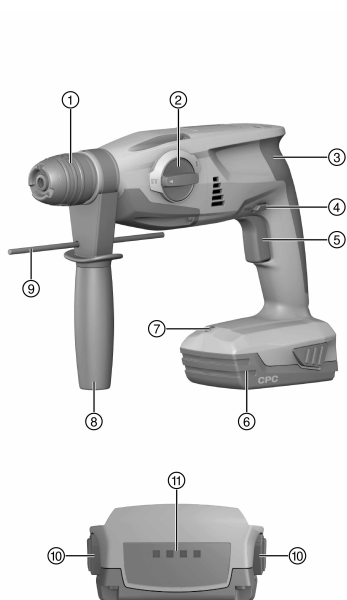
#### **Omsorgsfull hantering och användning av elverktyg**

- ▶ Stäng genast av elverktyget om insticksverktyget blockeras. Elverktyget kan vridas i sidled.
- ▶ Vänta tills elverktyget stannat helt innan du lägger det ifrån dig.



### 3 Beskrivning

#### 3.1 Produktöversikt



- ① ChuckTE-C Click
- ② Funktionsväljare
- ③ Handtag
- ④ Omkopplare för höger- och vänstervarv med påkopplingspärr
- ⑤ Strömbrytare
- ⑥ Batteri
- ⑦ Belysning för arbetsområdet
- ⑧ Sidohandtag
- ⑨ Djupmått
- ⑩ Utlösningsknapp med extrafunktion för visning av laddningsstatus
- ⑪ Batteriets laddningsindikering

#### 3.2 Avsedd användning

Den beskrivna produkten är en batteridrivna borrarhammare. Den är avsedd för borring i stål, trä och tegel, för hammarborring i betong och tegel och för skruvdragning.

- Använd endast **Hilti** litiumjonbatterier av typen Li-Ion B 22 med produkten.
- Använd endast batteriladdare som är godkända av **Hilti** till dessa batterier. Mer information finns i din **Hilti Store** eller på: [www.hilti.group](http://www.hilti.group)

#### 3.3 Indikering för litiumjonbatteriet

När du använder litiumjonbatteriet kan du ta reda på vad det har för laddningsstatus genom att trycka på en av utlösningknapparna.

Status	Betydelse
4 lysdioder lyser.	Laddningsstatus: 75 % till 100 %
3 lysdioder lyser.	Laddningsstatus: 50 % till 75 %
2 lysdioder lyser.	Laddningsstatus: 25 % till 50 %
1 lysdiod lyser.	Laddningsstatus: 10 % till 25 %
1 LED blinkar.	Laddningsstatus: < 10 %

Under pågående arbete och strax efteråt går det inte att läsa av laddningsstatus. Läs anvisningarna i kapitlet Felsökning om batteriets lysdioder för laddningsindikering blinkar.

#### 3.4 Leveransinnehåll

Borrarhammare, sidohandtag, djupmått, bruksanvisning.

Damsugarmodulen TE DRS-S rekommenderas som tillbehör för arbeten där det inte uppstår så mycket damm.



Dessutom finns fler systemprodukter för din produkt både i närmaste **Hilti Store** och på nätet: [www.hilti.group](http://www.hilti.group)

## 4 Teknisk information

### 4.1 Borrhammare

	TE 2-A22
<b>Märkspänning</b>	21,6 V
<b>Vikt enligt EPTA Procedure 01 inklusive batteri B228.0</b>	3,3 kg
<b>Borrhålsdiameter i betong/tegel (hammarborrning)</b>	4 mm ... 16 mm
<b>Borrhålsdiameter i metall (massivt trä)</b>	0 mm ... 10 mm
<b>Maximal längd djupmått</b>	180 mm

### 4.2 Bullerinformation och vibrationsvärden

De ljudtrycks- och vibrationsvärden som anges i anvisningarna har uppmätts med en standardiserad mätmetod och kan användas för att jämföra olika elverktyg med varandra. De kan också användas för att göra en preliminär uppskattning av exponeringarna. De angivna värdena representerar borrhammarens huvudsakliga användning. När elverktyget begagnas inom andra områden, med andra insatsverktyg eller med otillräckligt underhåll, kan mätning ge avvikande värden. Det innebär att exponeringen under den totala arbetstiden kan ökas betydligt. För att uppskattningen av exponeringarna ska bli exakt bör man också räkna in de tider då verktyget är frånkopplat, eller då det är tillkopplat men inte används. Detta kan minska exponeringen betydligt under den totala arbetstiden. Vidta även andra säkerhetsåtgärder för att skydda användaren mot effekterna av buller och/eller vibrationer, exempelvis: Underhåll av elverktyg och insatsverktyg, möjlighet att hålla händerna varma, organisation av arbetsförloppen.

**Värden för bulleremission bestämda enligt EN 60745**

<b>Ljudeffektnivå (<math>L_{WA}</math>)</b>	103 dB(A)
<b>Osäkerhet ljudeffektnivå (<math>K_{WA}</math>)</b>	3 dB(A)
<b>Ljudtrycksnivå (<math>L_{pA}</math>)</b>	92 dB(A)
<b>Osäkerhet ljudtrycksnivå (<math>K_{pA}</math>)</b>	3 dB(A)

**Totala vibrationsvärden (vektorsumma i tre riktningar) uppmätta enligt EN 60745**

<b>Hammarborrning i betong (<math>a_{h, HD}</math>)</b>	15 m/s <sup>2</sup>
<b>Borrning i metall (<math>a_{h, D}</math>)</b>	2,5 m/s <sup>2</sup>
<b>Osäkerhet (K)</b>	1,5 m/s <sup>2</sup>

### 4.3 Batteri

<b>Batteriets driftspänning</b>	21,6 V
<b>Omgivningstemperatur vid drift</b>	-17 °C ... 60 °C
<b>Förvaringstemperatur</b>	-20 °C ... 40 °C
<b>Batteritemperatur när laddningen påbörjas</b>	-10 °C ... 45 °C

## 5 Användning

### 5.1 Förberedelser för arbete

#### FÖRSIKTIGHET

**Risk för personskada till följd av oavsiktlig start!**

- ▶ Kontrollera att produkten är avstängd innan du sätter i batteriet.
- ▶ Ta alltid bort batteriet innan du gör några inställningar på verktyget eller byter tillbehördelar.

Observera de säkerhets- och varningsanvisningar som du hittar i dokumentationen och på själva enheten.



### 5.1.1 Montera sidohandtag

1. Vrid på handtaget för att lossa sidohandtagsfästet (spännbandet).
2. Skjut fästet framifrån över chucken tills det går i det därför avsedda spåret.
3. Placera sidohandtaget i önskat läge.
4. Vrid på handtaget för att spänna fast sidohandtagsfästet (spännbandet).

### 5.1.2 Sätta i batteriet

1. Sätt i batteriet i verktygshållaren så att du hör att det klickar fast.
2. Kontrollera att batteriet sitter stadigt.

### 5.1.3 Ta ut batteriet

1. Tryck på knappen för batteriets låsspärr.
2. Dra batteriet bakåt och ut.

### 5.1.4 Byta insatsverktyg

1. Fetta in insticksänden på insatsverktyget en aning.
  - ▶ Använd endast originalfett från Hilti. En felaktigt fett kan orsaka skador på verktyget.
2. Stick in insatsverktyget i chocken så att det går i lås.
3. Dra in verktyget efter isättningen för att kontrollera att det sitter ordentligt fast.
  - ▶ Nu är produkten färdig att användas.

### 5.1.5 Ta ur insatsverktyg

#### VARNING

**Risk för personskada** Verktyget blir varmt när det används.

- ▶ Använd skyddshandskar vid verktygsbyte.
- ▶ Dra chuckhylsan tillbaka till anslag och ta ut insatsverktyget.

### 5.1.6 Montera djupmått (tillval)

1. Vrid på handtaget för att lossa sidohandtagsfästet (spännbandet).
2. Skjut in djupmättet framifrån i de två genomföringshålén.
3. Vrid på handtaget för att spänna fast sidohandtagsfästet (spännbandet).

## 5.2 Arbeta

#### VARNING

**Risk för skador till följd av felaktig hantering!**

- ▶ Använd inte rotationsriktningsomställaren och/eller funktionsväljaren under drift.

Observera de säkerhets- och varningsanvisningar som du hittar i dokumentationen och på själva enheten.

### 5.2.1 Arbetsplatsbelysning

Lysdioden aktiveras automatiskt när strömbrytaren aktiveras. När du släpper strömbrytaren slocknar lysdioden långsamt.

- ▶ Tryck in strömbrytaren.

### 5.2.2 Rotationsriktning

- ▶ Ställ in rotationsriktning.
  - ▶ Omkopplaren snäpps fast i den här positionen.

### 5.2.3 Borring utan slag

- ▶ Ställ funktionsväljaren på den här symbolen:

### 5.2.4 Borring med slag

- ▶ Ställ funktionsväljaren på den här symbolen:





## 6 Skötsel och underhåll

### 6.1 Skötsel och underhåll

#### VARNING

#### Risk för personskada vid anslutet batteri !

- ▶ Ta alltid bort batteriet innan skötsel och underhåll utförs!

#### Verktygets skötsel

- Ta försiktigt bort smuts som fastnat på verktyget.
- Rengör ventilationsspringorna försiktigt med en torr borste.
- Rengör höljet med en lätt fuktad trasa. Använd inte rengöringsmedel med silikon, eftersom det kan skada plastdelarna.

#### Skötsel av litiumjonbatterier

- Håll batteriet rent och fritt från olja och fett.
- Rengör höljet med en lätt fuktad trasa. Använd inte rengöringsmedel med silikon, eftersom det kan skada plastdelarna.
- Se till att ingen fukt tränger in.

#### Underhåll

- Kontrollera regelbundet att inga synliga delar har skadats och att alla reglage fungerar som de ska.
- Använd inte produkten om den uppvisar skador eller funktionsstörningar. Skicka den direkt till **Hilti Service** för reparation.
- Efter att skötsel- och underhållsarbete utförts ska alla skyddsanordningar alltid monteras och kontrolleras.



Använd endast originalreservdelar och förbrukningsmaterial för säker drift. Godkända reservdelar, förbrukningsmaterial och tillbehör till din produkt från oss hittar du i närmaste **Hilti Store** eller på: [www.hilti.group](http://www.hilti.group).

### 6.2 Rengöring av dammskyddskåpan

- ▶ Rengör regelbundet dammskyddet på chucken med en ren, torr torkduk.
- ▶ Torka försiktigt läpptätningen ren och fetta på nytt in den lätt med **Hilti-fett**.
- ▶ Byt ut dammskyddet om läpptätningen har skadats.

## 7 Transport och förvaring

### 7.1 Transport och förvaring av batteridrivna verktyg

#### Transport

#### FÖRSIKTIGHET

#### Oavsiktlig start under transport. !

- ▶ Transportera alltid produkten utan insatta batterier.
- ▶ Ta bort batterierna.
- ▶ Transportera aldrig batterierna löst liggande.
- ▶ Kontrollera att verktyget och batterierna är oskadda innan de används efter längre transporter.

#### Förvaring

#### FÖRSIKTIGHET

#### Oavsiktlig skada på grund av trasiga eller läckande batterier. !

- ▶ Förvara alltid produkten utan insatta batterier.
- ▶ Förvara verktyget och batterierna så svalt och torrt som möjligt.
- ▶ Förvara aldrig batterierna i direkt solsken, på värmeelement eller bakom glasrutor.
- ▶ Förvara verktyget och batterierna oåtkomliga för barn och obehöriga personer.
- ▶ Kontrollera att verktyget och batterierna är oskadda innan de används efter en längre tids förvaring.



## 8 Felsökning



### 8.1 Felsökning

Kontakta **Hilti Service** om det uppstår ett fel som inte finns med i den här tabellen eller som du inte lyckas åtgärda på egen hand.

### 8.2 Borrhammaren fungerar inte

Fel	Möjlig orsak	Lösning
Borrhammaren startar inte.	Borrhammaren har överlastats.	► Koppla ur borrhammaren, ta bort batteriet och använd inte borrhammaren mer.
Lysdioderna visar inget.	Batteriet har inte satts in helt.	► Sätt in batteriet så att ett dubbelklick hörs.
	Batteriet är urladdat.	► Byt batteri och ladda det tomma batteriet.
	Batteriet för varmt eller för kallt.	► Låt batteriet få rekommenderad arbetstemperatur.
1 lysdiod blinkar.	Batteriet är urladdat.	► Byt batteri och ladda det tomma batteriet.
	Batteriet för varmt eller för kallt.	► Låt batteriet få rekommenderad arbetstemperatur.
4 lysdioder blinkar.	Borrhammaren har överlastats under en kortare tid.	► Släpp strömbrytaren och tryck in den igen.
	Överhettningsskydd.	► Låt borrhammaren svalna och rengör ventilationsspringan.

### 8.3 Borrhammaren fungerar

Fel	Möjlig orsak	Lösning
Inget slag.	Borrhammaren är för kall.	► Sätt borrhammaren på underlaget och kör den i tomgång. Upprepa detta om så krävs, tills slagmekanismen kommer igång.
	Funktionsväljaren på "borrning utan slag"  .	► Sätt funktionsväljaren på "hammarborrning"  .
Strömbrytaren kan inte tryckas ner resp. är spärrad.	Omkopplaren för höger- och vänstervarv i mittenläge.	► Tryck omkopplaren för höger- och vänstervarv åt höger eller vänster.
Verktygsspindeln roterar inte.	Tillåten drifttemperatur för borrhammarens elektronik har överskridits.	► Låt borrhammaren svalna.
	Batteriet är urladdat.	► Byt batteri och ladda det tomma batteriet.
Borrhammaren kopplas från automatiskt.	Överlastskyddet utlöses.	► Lossa på strömbrytaren. Låt borrhammaren svalna. Använd strömbrytaren igen. Minska verktygsbelastningen.
Batteriet laddas ur fortare än vanligt.	Batteriet fungerar inte optimalt.	► Byt ut batteriet.
Batteriet hakar inte i med ett hörbart "dubbelklick".	Batteriets låsmekanism är smutsig.	► Rengör låsmekanismen och sätt in batteriet igen.
Stark värmeutveckling i borrhammaren eller batteriet.	Elektriskt fel	► Koppla genast från borrhammaren. Ta bort batteriet och granska det. Låt det svalna. Kontakta <b>Hilti-service</b> .



Fel	Möjlig orsak	Lösning
Stark värmeutveckling i borrhammaren eller batteriet.	Borrhammaren har överlastats (applikationsgräns överskriden).	► Välj ett verktyg som passar för uppgiften.
Det går inte att ta ut insatsverktyget ur chucken.	Chucken har inte dragits tillbaka helt.	► Dra chuckhylsan tillbaka till anslag och ta ut verktyget.
Insatsverktyget tränger inte in i underlaget.	Borrhammaren har kopplats till vänstervarv.	► Ställ omkopplaren för höger- och vänstervarv på högervarv.

## 9 Avfallshantering

**Hilti**-verktyg är till stor del tillverkade av återvinningsbara material. En förutsättning för återvinning är att materialen separeras på rätt sätt. I många länder kan du lämna in ditt uttjänta verktyg så att **Hilti** tar hand om det. Hör efter med **Hiltis** kundtjänst eller din kontaktperson.



- Kasta inte elverktyg, elektronisk apparatur och batterier i hushållssoporna.

## 10 Tillverkargaranti

- Vänd dig till din lokala **Hilti**-representant om du har frågor om garantivillkoren.

# Original bruksanvisning

## 1 Informasjon om dokumentasjonen

### 1.1 Om denne dokumentasjonen

- Les denne dokumentasjonen før du tar produktet i bruk. Dette er en forutsetning for sikkerhet under arbeidet og problemfri bruk.
- Følg sikkerhetsanvisningene og advarslene i denne dokumentasjonen og på produktet.
- Oppbevar alltid bruksanvisningen på produktet, og lever bruksanvisningen fra deg sammen med produktet hvis det overtas av andre personer.

### 1.2 Symbolforklaring

#### 1.2.1 Farehenvvisninger

Farehenvvisninger advarer mot farer under håndtering av produktet. Følgende signalord brukes:

#### **FARE**

##### **FARE !**

- For en umiddelbart truende fare som kan føre til alvorlige personskader eller død.

#### **ADVARSEL**

##### **ADVARSEL !**

- Varsler en mulig fare som kan føre til alvorlige personskader eller død.

#### **FORSIKTIG**

##### **FORSIKTIG !**

- Varsler om en mulig farlig situasjon som kan føre til lettere personskade eller skade på utstyr og annen eiendom.

#### 1.2.2 Symboler i dokumentasjonen

Følgende symboler brukes i denne dokumentasjonen:



Les bruksanvisningen før bruk



	Anvisninger om bruk og annen nyttig informasjon
	Håndtering av resirkulerbare materialer
	Ikke kast elektriske apparater eller batterier i husholdningsavfallet

### 1.2.3 Symboler i illustrasjoner

Følgende symboler brukes i illustrasjonene:

	Disse tallene henviser til illustrasjonen foran i denne bruksanvisningen
3	Nummereringen angir rekkefølgen for arbeidstrinnene på bildet og kan avvike fra arbeidstrinnene i teksten
	Posisjonsnumrene brukes i illustrasjonen <b>Oversikt</b> og henviser til numrene på teksten i avsnittet <b>Produktoversikt</b>
	Dette symbolet betyr at håndtering av produktet krever stor grad av oppmerksomhet.

## 1.3 Produktavhengige symboler

### 1.3.1 Symboler på produktet

Følgende symboler kan brukes på produktet:

	Boring uten slag
	Boring med slag (hammerboring)
	Høyre-/venstregang
$n_0$	Nominelt tomgangsturtall
/min	Omdreining per minutt
	Likestrøm
Li-Ion	Li-ion-batteri
	Brukt <b>HilTI</b> Li-Ion-batteriserie. Følg anvisningene i kapitlet <b>Forskriftsmessig bruk</b> .
	Bruk aldri batteriet som slagverktøy.
	Ikke mist ned batteriet. Ikke bruk et batteri som har vært utsatt for støt eller er skadet på annen måte.
	Maskinen støtter NFC-teknologi som er kompatibel med iOS- og Android-plattformer.

## 1.4 Produktinformasjon

**HILTI**-produkter er laget for profesjonell bruk og må kun brukes, vedlikeholdes og repareres av kyndig personale. Dette personalet må informeres om eventuelle farer som kan oppstå. Produktet og tilleggsutstyret kan utgjøre en fare hvis det betjenes av ukvalifisert personale eller det benyttes feil.

Typebetegnelse og serienummer står på typeskiltet.



- ▶ Skriv inn serienummeret i tabellen nedenfor. Du trenger produktspesifikasjonene ved henvendelser til Hiltis representant eller servicesenter.

#### Produktspesifikasjoner

Type:	TE 2-A22
Generasjon:	02
Serienummer:	

### 1.5 Samsvarserklæring

Vi erklærer herved at produktet som er beskrevet her, overholder gjeldende normer og direktiver. Du finner et bilde av samsvarserklæringen på slutten av denne dokumentasjonen.

Den tekniske dokumentasjonen er lagret her:

Hilti Entwicklungsgesellschaft mbH | Zulassung Geräte | Hiltistraße 6 | 86916 Kaufering, DE

## 2 Sikkerhet

### 2.1 Generelle sikkerhetsregler for elektroverktøy

**⚠ ADVARSEL! Les alle sikkerhetsanvisninger og andre anvisninger.** Manglende overholdelse av sikkerhetsanvisninger og andre anvisninger kan medføre elektrisk støt, brann og/eller alvorlige skader. Overhold alle sikkerhetsanvisninger og instruksjoner i hele bruksperioden.

#### Sikkerhet på arbeidsplassen

- ▶ **Hold arbeidsområdet rent og godt opplyst.** Rotete eller dårlig belyste arbeidsområder kan føre til ulykker.
- ▶ **Bruk ikke elektroverktøyet i eksplosjonsfarlige omgivelser hvor det befinner seg brennbare flytende stoffer, gasser eller støv.** Elektroverktøy lager gnister som kan antenne støv eller damp.
- ▶ **Hold barn og andre personer på sikker avstand mens elektroverktøyet brukes.** Hvis du blir forstyrret under arbeidet, kan du miste kontrollen over verktøyet.

#### Elektrisk sikkerhet

- ▶ **Unngå kroppskontakt med jordete overflater som rør, radiatorer, komfyrer og kjøleskap.** Risikoen for elektrisk støt er høyere når kroppen er jordat.
- ▶ **Hold elektroverktøyet unna regn og fuktighet.** Risikoen for elektrisk støt øker ved inntrenging av vann i et elektroverktøy.

#### Personsikkerhet

- ▶ **Vær oppmerksom, pass på hva du gjør, og gå fornuftig fram under arbeidet med et elektroverktøy. Ikke bruk elektroverktøy når du er trøtt eller påvirket av narkotika, alkohol eller medikamenter.** Et øyeblikks uoppmerksomhet ved bruk av elektroverktøyet kan være nok til å forårsake alvorlige personskader.
- ▶ **Bruk alltid personlig verneutstyr og vernebriller.** Bruk av personlig verneutstyr som støvmaske, sklisikre vernesko, hjelm eller hørselsvern – avhengig av type og bruk av elektroverktøyet – reduserer risikoen for skader.
- ▶ **Unngå utilsiktet start. Forsikre deg om at elektroverktøyet er slått av før du kobler det til stikkkontakten eller batteriet, løfter eller flytter på det.** Hvis du holder fingeren på bryteren når du bærer elektroverktøyet, eller kobler elektroverktøyet til strøm i innkoblet tilstand, kan dette føre til uhell.
- ▶ **Fjern justeringsverktøy og skrunøkkel før du slår på elektroverktøyet.** Et verktøy eller en nøkkel som befinner seg i en roterende maskindel, kan føre til skader.
- ▶ **Unngå uhensiktsmessige arbeidsposisjoner. Sørg for å stå stødig og i balanse.** Dermed kan du kontrollere elektroverktøyet bedre i uventede situasjoner.
- ▶ **Bruk egnede klær. Ikke bruk vide klær eller smykker. Hold hår, tøy og hansker unna deler som beveger seg.** Løstsittende tøy, smykker eller langt hår kan komme inn i deler som beveger seg.
- ▶ **Hvis det er montert støvavsugs- og oppsamlingsinnretninger, må det kontrolleres at disse er koblet til og blir brukt på riktig måte.** Bruk av støvavsug kan redusere faremomentene i forbindelse med støv.

#### Bruk og behandling av elektroverktøyet

- ▶ **Ikke overbelast verktøyet. Bruk et elektroverktøy som er beregnet til den type arbeid du vil utføre.** Med et passende elektroverktøy arbeider du bedre og sikrere i det angitte effektområdet.
- ▶ **Ikke bruk elektroverktøy med defekt bryter.** Et elektroverktøy som ikke lenger kan slås av eller på, er farlig og må repareres.



- ▶ **Fjern batteriet før du foretar maskininnstillinger, skifter tilbehørsdeler eller legger vekk maskinen.** Disse tiltakene forhindrer en utilsiktet start av elektroverktøyet.
- ▶ **Oppbevar elektroverktøy som ikke brukes utenfor barns rekkevidde. La ikke personer som ikke er fortrolige med eller ikke har lest instruksjonene, bruke verktøyet.** Elektroverktøy er farlige når de brukes av uerfarne personer.
- ▶ **Sørg for grundig stell av elektroverktøy. Kontroller at bevegelige deler på elektroverktøyet fungerer feilfritt og ikke klemmes fast, og om deler er brukket eller skadet, slik at dette innvirker på elektroverktøets funksjon. La skadde deler repareres før elektroverktøyet brukes.** Mange ulykker er et resultat av dårlig vedlikeholdte elektroverktøy.
- ▶ **Hold skjæreverktøy skarpe og rene.** Godt vedlikeholdte skjæreverktøy med skarpe skjærekanter blir sjeldnere fastklemt og er lettere å styre.
- ▶ **Bruk elektroverktøy, tilbehør, arbeidsverktøy osv. i overensstemmelse med denne anvisningen. Ta hensyn til arbeidsforholdene og arbeidet som skal utføres.** Bruk av elektroverktøy til andre formål enn det som er angitt, kan føre til farlige situasjoner.

#### **Bruk og behandling av det batteridrevne elektroverktøyet**

- ▶ **Bruk kun ladere som er anbefalt av produsenten når du skal lade batteriene.** Det oppstår brannfare når det brukes andre batterier i en lader enn den laderen er egnet for.
- ▶ **Bruk bare batterier som er beregnet for de forskjellige elektroverktøyene.** Bruk av andre batterier kan medføre skader og brannfare.
- ▶ **Unngå å oppbevare brukte batterier i nærheten av binders, mynter, nøkler, nagler, skruer eller andre små metallgjenstander som kan forårsake kortslutning av kontakten.** En kortslutning mellom batterikontaktene kan føre til forbrenninger eller brann.
- ▶ **Ved feil bruk kan væske lekket fra batteriet. Unngå kontakt med denne væsken.** Batterivæske som renner ut, kan føre til irritasjoner på huden eller forbrenninger. Ved tilfeldig kontakt må det skylles med vann. Hvis det kommer væske i øynene, må du i tillegg oppsøke lege.

#### **Service**

- ▶ **Elektroverktøyet må kun repareres av kvalifisert fagpersonale og kun med originale reservedeler.** Slik opprettholdes elektroverktøets sikkerhet.

## **2.2 Ekstra sikkerhetsanvisninger for borhammer**

### **Personsikkerhet**

- ▶ Bruk produktet bare i teknisk feilfri stand.
- ▶ Ikke foreta modifiseringer eller endringer på maskinen.
- ▶ Bruk håndtakene som leveres med maskinen. Tap av kontroll kan føre til skader.
- ▶ Ved gjennombruddsarbeider må området på den andre siden sikres. Deler som brytes ut, kan falle ut og/eller ned og skade andre personer.
- ▶ Hold alltid maskinen fast med begge hendene i de to håndtakene. Hold håndtakene tørre og rene.
- ▶ Hold maskinen i de isolerte håndtakene når du utfører arbeid der verktøyet kan komme i kontakt med elektriske ledninger. Kontakt med en spenningsførende ledning kan også sette maskinens metalldele under spenning og føre til elektrisk støt.
- ▶ Unngå å berøre de roterende delene. Fare for personskader!
- ▶ Ved bruk av maskinen skal det alltid brukes egnede vernebriller, vernehjelm, hørselsvern, vernehansker og en lett ansiktsmaske.
- ▶ Bruk vernehansker også ved skifte av verktøy. Berøring av innsatsverktøyet kan føre til kuttskader og forbrenninger.
- ▶ Bruk øyevern. Splintret materiale kan skade kroppen og øynene.
- ▶ Før arbeidet påbegynnes, må du bringe på det rene hvilken fareklasse støvmaterialet som oppstår, tilhører. Bruk en anleggsstøvsuger med offisiell beskyttelsesklassifisering sammen med maskinen. Maskinen må oppfylle lokale støvbeskyttelseskrav. Støv fra materialer som blyholdig maling, enkelte tresorter, betong/mur/stein som inneholder kvarts, mineraler og metaller kan være helseskadelig.
- ▶ Sørg for god ventilasjon på arbeidsplassen, og bruk eventuelt åndedrettsvern tilpasset den aktuelle typen støv. Berøring eller innånding av slike typer støv kan fremkalle allergiske reaksjoner og/eller luftveissykdommer hos brukeren og andre personer som oppholder seg i nærheten. Bestemte typer støv som eikestøv eller bøkstøv regnes som kreftfremkallende, særlig i forbindelse med stoffer for trebehandling (kromat, trepleiemidler). Asbestholdige materialer skal kun håndteres av kvalifisert personell.
- ▶ Ta pauser i arbeidet og gjør øvelser for å sikre bedre blodsirkulasjon i fingrene. Ved langvarig arbeid kan det oppstå skader på blodkar eller nervesystemet i fingrer, hender eller håndledd.



### Elektrisk sikkerhet

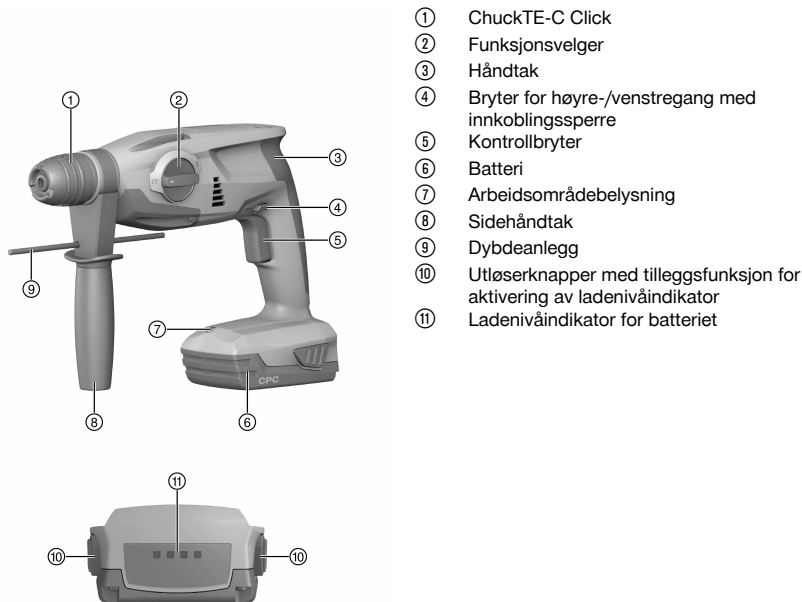
- ▶ Kontroller før arbeidet påbegynnes at det ikke finnes skjulte strømledninger, gass- eller vannrør i arbeidsområdet. Utvendige metalldele på maskinen kan forårsake elektrisk støt hvis du utilsiktet skulle skade en strømledning.

### Forsiktig behandling og bruk av elektroverktøy

- ▶ Slå elektroverktøyet av straks hvis verktøyet setter seg fast. Maskinen kan gli ut til siden.
- ▶ Vent til elektroverktøyet har stanset helt før du legger det fra deg.

## 3 Beskrivelse

### 3.1 Produktoversikt



- ① ChuckTE-C Click
- ② Funksjonsvelger
- ③ Håndtak
- ④ Bryter for høyre-/venstregang med innkoblingsperre
- ⑤ Kontrollbryter
- ⑥ Batteri
- ⑦ Arbeidsområdebelysning
- ⑧ Sidehåndtak
- ⑨ Dybdeanlegg
- ⑩ Utløserknapper med tilleggsfunksjon for aktivering av ladenivåindikator
- ⑪ Ladenivåindikator for batteriet

### 3.2 Forskriftsmessig bruk

Det beskrevne produktet er en batteridrevet borhammer. Den er beregnet til hammerboring i betong og mur, boring i stål, tre og mur og til innskruing og løsning av skruer.

- Til dette produktet må det bare brukes **Hilti** Li-Ion-batterier i serien B 22.
- Bruk bare ladere som er godkjent av **Hilti** til disse batteriene. Du finner mer informasjon i **Hilti Store** eller under: [www.hilti.group](http://www.hilti.group)

### 3.3 Indikator for Li-Ion-batteriet

Ved bruk av Li-Ion-batterier kan ladenivået vises ved å trykke på en av låseknappene.

Tilstand	Betydning
4 LED-er lyser.	Ladenivå: 75 % til 100 %
3 LED-er lyser.	Ladenivå: 50 % til 75 %
2 LED-er lyser.	Ladenivå: 25 % til 50 %
1 LED lyser.	Ladenivå: 10 % til 25 %
1 LED blinker.	Ladenivå: < 10 %



Mens arbeidet pågår, og umiddelbart etterpå, er det ikke mulig å vise ladenivået. Ved blinkende LED-er på batteriets ladenivåindikator må du følge henvisningene i kapitlet om feilsøking.

### 3.4 Dette følger med:

Borhammer, sidehåndtak, dybdeanlegg, bruksanvisning.

Støvmodule TE DRS-S tilbys som tilbehør for å kunne arbeide med liten støvdannelse.

I tillegg finner du tillatte systemprodukter til produktet hos nærmeste **Hilti Store** eller under: [www.hilti.group](http://www.hilti.group)

## 4 Tekniske data

### 4.1 Borhammer

	TE 2-A22
<b>Merkespenning</b>	21,6 V
<b>Vekt i henhold til EPTA Procedure 01 med batteri B228.0</b>	3,3 kg
<b>Boreområde i betong/mur (hammerboring)</b>	4 mm ... 16 mm
<b>Boreområde i metall (trebor)</b>	0 mm ... 10 mm
<b>Maksimal lengde dybdeanlegg</b>	180 mm

### 4.2 Støyinformasjon og vibrasjonsverdier

Lydtrykk- og vibrasjonsverdiene som er angitt i denne bruksanvisningen, er målt i samsvar med en normert målemetode og kan brukes til sammenligning av elektroverktøy. De egner seg også til en foreløpig vurdering av eksponeringene. De angitte dataene representerer de viktigste bruksområdene for elektroverktøyet. Men hvis elektroverktøyet brukes til andre formål, med avvikende innsatsverktøy eller med utilstrekkelig vedlikehold, kan dataene avvike. Dette kan øke eksponeringene betraktelig gjennom hele arbeidsperioden. For å få en nøyaktig vurdering av eksponeringene må man også ta hensyn til tidsrommene da maskinen er slått av eller er i gang, men ikke i drift. Dette kan redusere eksponeringene betraktelig gjennom hele arbeidsperioden. Fastsett ekstra sikkerhetstiltak for å beskytte operatøren mot effekten av støy og/eller vibrasjoner, for eksempel: Vedlikehold av elektroverktøy og innsatsverktøy, holde hendene varme, organisering av arbeidsprosesser.

#### Støyutslippsverdier målt i henhold til EN 60745

<b>Lydeffektnivå (<math>L_{WA}</math>)</b>	103 dB(A)
<b>Usikkerhet lydeffektnivå (<math>K_{WA}</math>)</b>	3 dB(A)
<b>Avgitt lydtrykk (<math>L_{pA}</math>)</b>	92 dB(A)
<b>Usikkerhet lydtrykknivå (<math>K_{pA}</math>)</b>	3 dB(A)

#### Totale vibrasjonsverdier (vektorsum for tre retninger), målt i henhold til EN 60745

<b>Hammerboring i betong (<math>a_{h, HD}</math>)</b>	15 m/s <sup>2</sup>
<b>Boring i metall (<math>a_{h, D}</math>)</b>	2,5 m/s <sup>2</sup>
<b>Usikkerhet (K)</b>	1,5 m/s <sup>2</sup>

### 4.3 Batteri

<b>Batteriets driftsspenning</b>	21,6 V
<b>Omgivelsestemperatur under drift</b>	-17 °C ... 60 °C
<b>Lagringstemperatur</b>	-20 °C ... 40 °C
<b>Batteritemperatur ved ladestart</b>	-10 °C ... 45 °C





## 5 Betjening

### 5.1 Klargjøring til arbeidet

#### FORSIKTIG

##### Fare for personskader på grunn av utilsiktet start!

- ▶ Før batteriet settes i, må det kontrolleres at det tilhørende produktet er slått av.
- ▶ Fjern batteriet før du foretar maskininnstillinger eller skifter tilbehørsdeler.

Følg sikkerhetshenvisningene og advarslene i denne dokumentasjonen og på produktet.

#### 5.1.1 Montere sidehåndtak

1. Vri på håndtaket for å løsne holderen (klemmen) på sidehåndtaket.
2. Skyv holderen (klemmen) forfra over chucken til kilesporet som er beregnet til dette.
3. Plasser sidehåndtaket i ønsket stilling.
4. Vri på håndtaket for å stramme holderen (klemmen) på sidehåndtaket.

#### 5.1.2 Sette inn batteri

1. Sett batteriet inn i holderen på maskinen til det klikker hørbart på plass.
2. Kontroller at batteriet sitter godt fast.

#### 5.1.3 Ta ut batteriet

1. Trykk på låseknappene på batteriet.
2. Trekk batteriet ut bakover.

#### 5.1.4 Sette i innsatsverktøy

1. Smør innstikkenden til innsatsverktøyet med litt fett.
  - ▶ Bruk bare originalfett fra Hilti. Feil fett kan forårsake skade på maskinen.
2. Sett innsatsverktøyet helt inn i chucken slik at det klikker på plass.
3. Trekk i verktøyet etter at du har satt det i, for å forsikre deg om at det er godt festet.
  - ▶ Produktet er klart til bruk.

#### 5.1.5 Ta ut innsatsverktøyet

#### ADVARSEL

##### Fare for personskader Verktøyet blir varmt under bruk.

- ▶ Bruk vernehansker ved skifte av verktøy.
- ▶ Trekk verktøylåsen tilbake til anslag og ta ut innsatsverktøyet.

#### 5.1.6 Montere dybdeanlegg (ekstraustyr)

1. Vri på håndtaket for å løsne holderen (klemmen) på sidehåndtaket.
2. Skyv dybdeanlegget forfra inn i de to føringshullene som er beregnet for dette.
3. Vri på håndtaket for å stramme holderen (klemmen) på sidehåndtaket.

### 5.2 Arbeid

#### OBS

##### Fare for materiell skade på grunn av feilhåndtering!

- ▶ Ikke betjen bryteren for rotasjonsretning og/eller funksjonsvalg under drift.

Følg sikkerhetshenvisningene og advarslene i denne dokumentasjonen og på produktet.

#### 5.2.1 Arbeidsplassbelysning



LED-en aktiveres automatisk når kontrollbryteren trykkes inn. Når du slipper kontrollbryteren, sluker LED-en langsomt.

- ▶ Trykk på kontrollbryteren.



### 5.2.2 Rotasjonsretning

- ▶ Still inn rotasjonsretningen.
  - ▶ Bryteren låses i denne posisjonen.

### 5.2.3 Boring uten slag

- ▶ Still inn funksjonsvelgeren på dette symbolet: .

### 5.2.4 Boring med slag

- ▶ Still inn funksjonsvelgeren på dette symbolet: .

## 6 Service og vedlikehold

### 6.1 Service og vedlikehold

#### ADVARSEL

#### Fare for personskader på grunn av isatt batteri !

- ▶ Ta alltid ut batteriet før stell og vedlikeholdsarbeid!

#### Stell av maskinen


- Fjern gjenstridig smuss forsiktig.
- Rengjør ventilasjonsåpningene forsiktig med en tørr børste.
- Rengjør huset bare med en lett fuktet klut. Ikke bruk silikonholdige pleiemiddel, da dette kan angripe plastdelene.

#### Stell av Li-Ion-batterier

- Hold batteriet rent og fritt for olje og fett.
- Rengjør huset bare med en lett fuktet klut. Ikke bruk silikonholdige pleiemiddel, da dette kan angripe plastdelene.
- Unngå inntrenging av fuktighet.

#### Vedlikehold

- Kontroller alle synlige deler regelmessig mht. skade og alle betjeningselementene mht. feilfri funksjon.
- Ved skader og/eller funksjonsfeil må produktet ikke brukes. Få maskinen reparert av **Hilti** service snarest mulig.
- Etter stell- og vedlikeholdsarbeid må alle beskyttelsesinnretninger monteres, og det må foretas funksjonskontroll av dem.

 Av hensyn til sikkerheten må du bare bruke originale reservedeler og forbruksmaterialer. Reservedeler, forbruksmaterialer og tilbehør til produktet, som er godkjent av oss, finner du hos **Hilti Store** eller under: [www.hilti.group](http://www.hilti.group).

### 6.2 Rengjøring av støvbeskyttelseskappen

- ▶ Rengjør støvbeskyttelseskappen på chocken med en ren, tørr klut.
- ▶ Tørk pakningen forsiktig ren og smør den inn med litt **Hilti**-smørefett.
- ▶ Støvbeskyttelseskappen må alltid byttes hvis pakningen er skadet.

## 7 Transport og lagring

### 7.1 Transport og lagring av batterier

#### Transport

#### FORSIKTIG

#### Utilsiktet start under transport !

- ▶ Transporter alltid produktene dine uten batterier!
- ▶ Ta ut batteriene.
- ▶ Ikke transporter batterier upakket.
- ▶ Etter en lengre transport må maskin og batterier kontrolleres med hensyn til skade før bruk.



## Lagring

### FORSIKTIG

#### Utsiktet skade på grunn av defekte batterier eller lekkasje fra batterier !

- ▶ Oppbevar alltid produktene dine uten batterier!
- 
- ▶ Oppbevar maskin og batterier mest mulig kaldt og tørt.
  - ▶ Batteriene må aldri lagres i solen, på en radiator eller bak glassruter.
  - ▶ Oppbevar maskin og batterier utenfor barns og uvedkommes rekkevidde.
  - ▶ Etter lengre tids oppbevaring må maskin og batterier kontrolleres med hensyn til skade før bruk.

## 8 Feilsøking

### 8.1 Feilsøking

Ved feil som ikke står i denne tabellen eller som du selv ikke kan rette opp, må du kontakte **Hilti Service**.

### 8.2 Borhammeren er ikke operativ

Feil	Mulig årsak	Løsning
Borhammeren starter ikke.	Borhammer overbelastet.	▶ Slå av borhammeren, fjern batteriet og ikke bruk borhammeren mer.
LED-ene vises ikke.	Batteriet er ikke satt helt i.	▶ La batteriet gå i lås med et dobbeltklikk.
	Utladet batteri.	▶ Skift batteri og lad tomt batteri.
	Batteriet er for varmt eller for kaldt.	▶ Bring batteriet til anbefalt driftstemperatur.
1 LED blinker.	Utladet batteri.	▶ Skift batteri og lad tomt batteri.
	Batteriet er for varmt eller for kaldt.	▶ Bring batteriet til anbefalt driftstemperatur.
4 LED-er blinker.	Borhammer kortvarig overbelastet.	▶ Slipp kontrollbryteren og trykk den inn på nytt.
	Overopphetingsvern.	▶ La borhammeren avkjøles, og rengjør ventilasjonsåpningene.

### 8.3 Borhammeren er operativ

Feil	Mulig årsak	Løsning
Slageffekt uteblir.	Borhammeren for kald.	▶ Sett borhammeren på underlaget og la den gå på tomgang. Gjenta hvis nødvendig til slagverket arbeider.
	Funksjonsvelger på "Boring uten slag".	▶ Sett funksjonsvelgeren på "Hammerboring" <b>T</b> .
Kontrollbryteren kan ikke trykkes inn eller er blokkert.	Bryteren for høyre-/venstregang er i midtstilling.	▶ Trykk bryteren for høyre-/venstregang mot høyre eller venstre.
Maskinens spindel dreier ikke.	Den tillatte driftstemperaturen for elektronikken i borhammeren er overskredet.	▶ La borhammeren avkjøles.
	Utladet batteri.	▶ Skift batteri og lad tomt batteri.
Borhammeren slår seg av automatisk.	Overbelastningsvernet utløses.	▶ Slipp kontrollbryteren. La borhammeren avkjøles. Trykk ned kontrollbryteren igjen. Reduser maskinbelastningen.
Batteriet blir raskere tomt enn vanlig.	Batteriets tilstand er ikke optimal.	▶ Skift ut batteriet.



Feil	Mulig årsak	Løsning
Batteriet festes ikke med et hørbart dobbeltklikk.	Festetappene på batteriet er skitne.	► Rengjør festetappene og sett batteriet inn igjen.
Sterk varmeutvikling i borhammeren eller batteriet.	Elektrisk defekt	► Slå borhammeren av umiddelbart. Ta ut batteriet og undersøk det. La det avkjøles. Kontakt <b>Hilti</b> service.
	Borhammer overbelastet (bruksgrense overskredet).	► Velg en maskin som er tilpasset bruksområdet.
Verktøyet løsner ikke fra chucken.	Chucken er ikke trukket helt tilbake.	► Trekk verktøylåsen tilbake til anslag og ta ut verktøyet.
Verktøyet trenger ikke inn i materialet.	Borhammer koblet i venstregang.	► Still inn høyregang med bryteren for høyre-/venstregang.

## 9 Avhending

**Hilti** maskiner er i stor grad laget av resirkulerbart materiale. En forskriftsmessig materialsortering er en forutsetning for resirkulering. I mange land tar **Hilti** din gamle maskin i retur. Spør **Hilti** kundeservice eller forhandleren din.



- Kast aldri elektroverktøy, elektronisk utstyr eller batterier i husholdningsavfallet!

## 10 Produsentgaranti

- Når det gjelder spørsmål om garantibetingelser, ber vi deg kontakte din lokale **Hilti**-partner.

# Alkuperäiset ohjeet

## 1 Dokumentaation tiedot

### 1.1 Tästä dokumentaatiosta

- Lue ehdottomasti tämä dokumentaatio ennen tuotteen käyttöönottoa. Se on turvallisen työnteon ja tuotteen ongelmattoman käsittelyn perusedellytys.
- Noudata tässä dokumentaatiossa ja tuotteessa olevia turvallisuus- ja varoitushuomautuksia.
- Säilytä käyttöohje aina tuotteen yhteydessä ja varmista, että käyttöohje on mukana, kun luovutat tuotteen toiselle henkilölle.

### 1.2 Merkkien selitykset

#### 1.2.1 Varoitushuomautukset

Varoitushuomautukset varoittavat tuotteen käyttöön liittyvistä vaaroista. Seuraavia varoitustekstejä käytetään:



**VAKAVA VAARA**

#### **VAKAVA VAARA !**

- Varoittaa uhkaavasta vaaratilanteesta, josta voi seurauksena olla vakava loukkaantuminen tai jopa kuolema.



**VAARA**

#### **VAARA !**

- Varoittaa mahdollisesta vaarasta, josta voi seurauksena olla vakava loukkaantuminen tai kuolema.



## VAROITUS

### VAROITUS !

- ▶ Varoittaa mahdollisesta vaaratilanteesta, josta voi seurata loukkaantuminen tai aineellinen vahinko.

### 1.2.2 Symbolit dokumentaatioissa

Tässä dokumentaatioissa käytetään seuraavia symboleita:

	Lue käyttöohje ennen käyttämistä
	Toimintaohjeita ja muuta hyödyllistä tietoa
	Kierrätyskelpoisten materiaalien käsittely
	Älä hävitä sähkölaitteita ja akkuja tavallisen sekajätteen mukana

### 1.2.3 Symbolit kuvissa

Kuvissa käytetään seuraavia symboleita:

	Nämä numerot viittaavat vastaavaan kuvaan tämän käyttöohjeen alussa
	Numerointi kertoo työvaiheiden järjestyksen kuvissa ja saattaa poiketa numeroinnista tekstissä
	Kohtanumeroita käytetään kuvassa <b>Yleiskuva</b> , ja ne viittaavat kuvatekstien numerointiin kappaleessa <b>Tuoteyhteenveto</b>
	Tämän merkin tarkoitus on kiinnittää erityinen huomiosi tuotteen käyttöön ja käsittelyyn.

## 1.3 Tuotekohtaiset symbolit

### 1.3.1 Symbolit tuotteessa

Tuotteessa voidaan käyttää seuraavia symboleita:

	Poraus ilman iskua
	Poraaminen iskulla (iskuporaus)
	Suunnanvaihtokytkin vasemmalle/oikealle
$n_0$	Nimellisjoutokäyntikiertoysluku
/min	Kierrosta minuutissa
	Tasavirta
Li-ion	Litiumioniakku
	Käytettävien <b>Hilti</b> -litiumioniakkujen tyyppisarja. Ota kappaleessa <b>Tarkoituksenmukainen käyttö</b> annetut tiedot huomioon.
	Älä koskaan käytä akkua lyöntityökaluna.
	Älä päästä akkua putoamaan. Älä käytä akkua, johon on kohdistunut isku tai joka on muutoin vaurioitunut.
	Tämä kone tukee iOS- ja Android-alustojen kanssa yhteensopivaa NFC-tekniologiaa.

## 1.4 Tuotetiedot

**HILTI** -tuotteet on tarkoitettu ammattikäyttöön, ja niitä saa käyttää, huoltaa tai korjata vain valtuutettu, koulutettu henkilö. Käyttäjän pitää olla hyvin perillä käyttöön liittyvistä vaaroista. Tuote ja sen varusteet



2023934

Suomi

39

saattavat aiheuttaa vaaratilanteita, jos kokemattomat henkilöt käyttävät tuotetta ohjeiden vastaisesti tai muutoin asiattomasti.

Tyyppimerkinnän ja sarjanumeron löydät tyyppikilvestä.

- ▶ Kirjoita sarjanumero oikeeseen taulukkoon. Tuotteen tiedot tarvitaan, jos esität kysymyksiä myynti- tai huoltoedustajallemme.

#### Tuotetiedot

Tyyppi:	TE 2-A22
Sukupuoli:	02
Sarjanumero:	

## 1.5 Vaatimustenmukaisuusvakuutus

Vakuutamme, että tässä kuvattu tuote täyttää voimassa olevien direktiivien ja standardien vaatimukset. Kuva vaatimustenmukaisuusvakuutuksesta on tämän dokumentaation lopussa.

Tekninen dokumentaatio löytyy tästä:

Hilti Entwicklungsgesellschaft mbH | Zulassung Geräte | Hiltistraße 6 | 86916 Kaufering, DE

## 2 Turvallisuus

### 2.1 Sähkötyökaluja koskevat yleiset turvallisuusohjeet

**⚠ VAARA! Lue kaikki turvallisuus- ja käyttöohjeet.** Turvallisuus- ja käyttöohjeiden noudattamatta jättäminen saattaa johtaa sähköiskuun, tulipaloon ja/tai vakavaan loukkaantumiseen.

Säilytä kaikki turvallisuus- ja käyttöohjeet huolellisesti vastaisen varalle.

#### Työpaikan turvallisuus

- ▶ **Pidä työskentelyalue siistinä ja hyvin valaistuna.** Työpaikan epäjärjestys ja valaisemattomat työalueet voivat johtaa tapaturmiin.
- ▶ **Älä käytä sähkötyökalua räjähdysalttiissa ympäristössä, jossa on syttyvää nestettä, kaasua tai pölyä.** Sähkötyökalut synnyttävät kipinöitä, jotka saattavat sytyttää pölyn tai höyryt.
- ▶ **Pidä lapset ja sivulliset loitolla sähkötyökalua käyttäessäsi.** Voit menettää laitteen hallinnan huomiosi suuntautuessaa muualle.

#### Sähköturvallisuus

- ▶ **Vältä koskettamasta maadotettuihin pintoihin kuten putkiin, pattereihin, liesiin ja jääkaappeihin.** Sähköiskun vaara kasvaa, jos kehosi maadottuu.
- ▶ **Älä aseta sähkötyökalua alttiiksi sateelle tai kosteudelle.** Veden tunkeutuminen sähkötyökalun sisään lisää sähköiskun vaaraa.

#### Henkilöturvallisuus

- ▶ **Ole valpas, kiinnitä huomiota työskentelyysi ja noudata tervettä järkeä sähkötyökalua käyttäessäsi. Älä käytä sähkötyökalua, jos olet väsynyt tai huumeiden, alkoholin tai lääkkeiden vaikutuksen alaisena.** Sähkötyökalua käytettäessä hetkellinenkin varomattomuus saattaa aiheuttaa vakavia vammoja.
- ▶ **Käytä henkilökohtaisia suojarusteita ja aina suojalaseja.** Henkilökohtaiset suojarusteet, kuten hengityssuojain, luistamattomat turvajalkineet, kypärä ja kuulosuojaimet, pienentävät oikein käytettyinä loukkaantumisriskiä sähkötyökalun käyttötilanteesta riippuen.
- ▶ **Varo tahatonta käynnistämistä. Varmista, että sähkötyökalu on kytketty pois päältä, ennen kuin liität siihen akun, otat sen käteesi tai kannat sitä.** Jos kannat sähkötyökalua sormi käyttökylkimellä tai liität pistokkeen pistorasiaan käyttökylkimen ollessa käyntiasennossa, altistat itsesi onnettomuuksille.
- ▶ **Poista kaikki säätötyökalut ja ruuvitaltat, ennen kuin käynnistät sähkötyökalun.** Työkalu tai avain, joka sijaitsee laitteen pyöriässä osassa, saattaa johtaa loukkaantumiseen.
- ▶ **Vältä vaikeita työskentelyasentoja. Varmista aina tukeva seisoma-asento ja tasapaino.** Siten voit paremmin hallita sähkötyökalua odottamattomissa tilanteissa.
- ▶ **Käytä työohsi soveltuvia vaatteita. Älä käytä löysiä työvaatteita tai koruja. Pidä hiukset, vaatteet ja käsineet loitolla liikkuvista osista.** Väljät vaatteet, korut ja pitkät hiukset voivat takertua liikkuviin osiin.
- ▶ **Jos pölynpoisto- ja keräilylaitteita voidaan asentaa, sinun on tarkastettava, että ne on liitetty oikein ja että niitä käytetään oikealla tavalla.** Pölynpoistovarustuksen käyttö vähentää pölyn aiheuttamia vaaroja.

#### Sähkötyökalun käyttö ja käsittely

- ▶ **Älä ylikuormita laitetta. Käytä kyseiseen työhön tarkoitettua sähkötyökalua.** Sopivaa sähkötyökalua käyttäen työskentelet paremmin ja varmemmin tehoalueella, jolle sähkötyökalu on tarkoitettu.



- ▶ **Älä käytä sähkötyökalua, jonka käyttökäytin ei toimi.** Sähkötyökalu, jota ei enää voida käynnistää ja pysäyttää käyttökäytimellä, on vaarallinen ja se täytyy korjata.
- ▶ **Irrota akku, ennen kuin muut laitteen asetuksia tai vaihdat lisävarusteosia, tai kun lopetat laitteen käyttämisen.** Tämä turvatoimenpide estää sähkötyökalun tahattoman käynnistysriskin.
- ▶ **Säilytä sähkötyökalut poissa lasten ulottuvilta, kun niitä ei käytetä. Älä anna toisten henkilöiden käyttää sähkötyökalua, elleivät he ole perehtyneet sen käyttöön ja lukeneet käyttöohjeita.** Sähkötyökalut ovat vaarallisia, jos niitä käytävää kokemattomat henkilöt.
- ▶ **Hoida sähkötyökalujasi huolellisesti. Tarkasta, että liikkuvat osat toimivat moitteettomasti eivätkä ole puristuksissa, ja tarkasta myös, ettei sähkötyökalussa ole murtuneita tai vaurioituneita osia, jotka saattaisivat haitata sen toimintaa. Korjauta vaurioituneet osat ennen työkalun käyttämistä.** Usein loukkaantumisten ja tapaturmien syyinä on sähkötyökalujen laiminlyöty huolto.
- ▶ **Pidä terät terävinä ja puhtaina.** Huolella hoidetut terät, joiden leikkausreunat ovat teräviä, eivät jumitu herkästi, ja niillä työnteko on kevyempää.
- ▶ **Käytä sähkötyökalua, lisävarusteita ja tarvikkeita, teriä jne. niiden käyttöohjeiden mukaisesti. Ota tällöin työolosuhteet ja suoritettava työtehtävä huomioon.** Sähkötyökalun käyttö muuhun kuin sille tarkoitettuun käyttöön saattaa johtaa vaarallisiin tilanteisiin.

#### Akkukäyttöisen sähkötyökalun käyttö ja käsittely

- ▶ **Lataa akku vain valmistajan suositamalla laturilla.** Jos laturi on tarkoitettu vain tietyn akkumallin lataamiseen, palovaara on olemassa, jos laturia käytetään muiden akkujen lataamiseen.
- ▶ **Käytä ainoastaan juuri kyseiseen sähkötyökaluun tarkoitettua akkua.** Jonkun muun akun käyttö saattaa johtaa loukkaantumiseen ja tulipaloon.
- ▶ **Pidä irrallinen akku loitolla metalliesineistä, kuten paperinliittimistä, kolikoista, avaimista, nau-loista, ruuveista tai muista pienistä metalliesineistä, jotka voivat oikosulkea akun liittimet.** Akun liittimien välinen oikosulku saattaa aiheuttaa palovammoja tai johtaa tulipaloon.
- ▶ **Väärästä käytöstä johtuen saattaa akusta vuotaa nestettä, jota ei saa koskettaa. Vältä kosketusta sen kanssa.** Akusta vuotava neste saattaa aiheuttaa ärsytystä ja palovammoja. Huuhtelee kosketuskohta vedellä. Jos nestettä pääsee silmiin, tarvitaan lisäksi lääkärin apua.

#### Huolto

- ▶ **Anna koulutettujen ammattihenkilöiden korjata sähkötyökalusi ja hyväksy korjauksiin vain alkupe-räisiä varaosia.** Siten varmistat, että sähkötyökalu säilyy turvallisena.

## 2.2 Lisää poravasaroiden turvallisuusohjeita

### Henkilöturvallisuus

- ▶ Käytä vain tuotetta, joka on teknisesti moitteettomassa kunnossa.
- ▶ Älä koskaan tee koneeseen minkäänlaisia muutoksia.
- ▶ Käytä koneen mukana toimitettuja lisäkäsikahvoja. Koneen hallinnan menettäminen saattaa aiheuttaa loukkaantumisia.
- ▶ Kun teet reikiä, varmista työstettävän kohdan taustapuoli. Putoamaan tai sinkoutumaan pääsevät palaset voivat aiheuttaa muille vammoja.
- ▶ Pidä aina molemmin käsin kiinni koneen käsikahvoista. Pidä käsikahvat kuivina ja puhtaina.
- ▶ Pidä koneesta kiinni vain sen eristetyistä kahvapinnoista, jos teet työtä, jossa terä saattaa osua rakenteen sisällä olevaan virtajohtoon. Jos terä osuu virtajohtoon, koneen metalliosiin saattaa johtua virta, jolloin saatat saada sähköiskun.
- ▶ Varo, ettet koske pyöriviin osiin - loukkaantumisvaara!
- ▶ Konetta käyttäessäsi käytä soveltuvia suojalaseja, suojakypärää, kuulosuojaimia, suojakäsineitä ja kevyttä hengityssuojainta.
- ▶ Käytä työkaluterän vaihdossa suojakäsineitä. Työkaluterän koskettaminen saattaa aiheuttaa haavoja ja palovammoja.
- ▶ Käytä suojalaseja. Sirpaleet saattavat aiheuttaa vammoja ja vahingoittaa silmiä.
- ▶ Selvitä työssä syntyvän pölyn vaarallisuus ennen työn aloittamista. Käytä rakennustyömaakäyttöön hyväksyttyä pölynmuria, joka täyttää viralliset pölysuojaluokitusmääräykset. Tiettyjen materiaalien kuten lijyypitoisen maalin, joidenkin puulajien, kvartsiä sisältävän betonin / muurauksen / kivityksen ja mineraalien sekä metallien pölyt voivat olla terveydelle vaarallisia.
- ▶ Varmista työpisteen hyvä tuuletus ja tarvittaessa käytä hengityssuojainta, joka soveltuu kyseessä olevalla pölylle. Pölyjen ihokosketus tai hengittäminen saattaa aiheuttaa allergisia reaktioita ja/tai hengitystiesairauksia koneen käyttäjälle tai lähellä oleville henkilöille. Tietty pölyt kuten tammen tai pyökien pöly on luokiteltu syöpää aiheuttaviksi, erityisesti jos niihin liittyy puunkäsittelyn lisäaineita (kromaatti, puunsuoja-aineet). Asbestia sisältäviä materiaaleja saavat työstää vain erikoiskoulutetut henkilöt.



- Pidä työssäsi taukoja, joiden aikana tee sormivoimisteluliikkeitä varmistaaksesi sormiesi hyvän verenkierron. Pitempään jatkuva työnteko saattaa tänä vuoksi aiheuttaa verenkiertohäiriöitä tai sormien, käsien ja ranteiden hermokipuja.

### Sähköturvallisuus

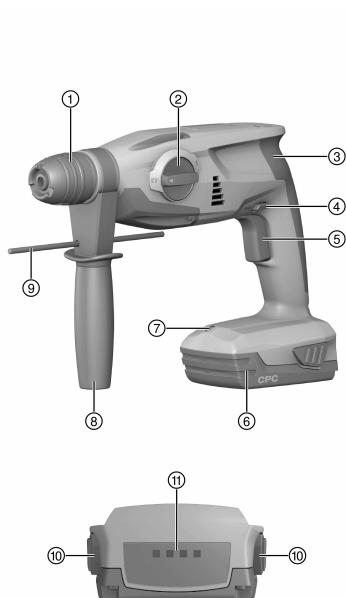
- Tarkasta ennen työn aloittamista, onko työskentelyalueella rakenteiden sisälle asennettuja sähköjohtoja tai kaasu- ja vesiputkia. Koneen ulkopinnan metalliosista saatat saada sähköiskun, jos vahingossa osut sähköjohtoon.

### Sähkötyökalujen käyttö ja hoito

- Kytke sähkötyökalu heti pois päältä, jos terä jumittuu. Kone saattaa pyrkiä liikkumaan sivusuunnassa.
- Odota, että sähkötyökalu on täysin pysähtynyt, ennen kuin lasket sen kädestäsi.

## 3 Kuvaus

### 3.1 Tuoteyhteenveto



- ① Istukka TE-C Click
- ② Toimintatavan valintakytkin
- ③ Käsikahva
- ④ Suunnanvaihtokytkin jossa päälle kytkemisen salpa
- ⑤ Käyttökytkin
- ⑥ Akku
- ⑦ Työaluevalo
- ⑧ Sivukahva
- ⑨ Syvyysrajoitin
- ⑩ Vapautuspainikkeet joissa lisätoimintona lataustilan näytön aktivointi
- ⑪ Akun lataustilan näyttö

### 3.2 Tarkoituksenmukainen käyttö

Kuvattu tuote on akkukäyttöinen poravasara. Se on tarkoitettu poraamiseen teräkseen, puuhun sekä tiileen ja muuraukseen, poraamiseen iskulla betoniin, tiileen ja muuraukseen sekä ruuvien kiertämiseen.

- Käytä tämän tuotteen yhteydessä vain tyyppisarjan B 22 Hilti-litiumioniakkuja.
- Käytä näiden akkujen lataamiseen vain latureita, jotka Hilti on hyväksynyt. Lisätietoja saat **Hilti Store** -liikkeestä ja osoitteesta: [www.hilti.group](http://www.hilti.group)

### 3.3 Li-ioniakun lataustilan näyttö

Litiumioniakkua käytettäessä akun lataustila näytetään, kun jotakin akun lukituksen vapautuspainikkeista painetaan kevyesti.

Tila	Merkitys
4 LED-merkkivaloa palaa.	Lataustila: 75 % ... 100 %





Tila	Merkitys
3 LED-merkkivaloa palaa.	Lataustila: 50 % ... 75 %
2 LED-merkkivaloa palaa.	Lataustila: 25 % ... 50 %
1 LED-merkkivalo palaa.	Lataustila: 10 % ... 25 %
1 LED-merkkivalo vilkkuu.	Lataustila: < 10 %

Lataustilan tarkastaminen koneen käytön aikana tai välittömästi käyttämisen jälkeen ei ole mahdollista. Jos akun lataustilan LED-merkkivalot vilkkuvat, ota ohjeet kappaleessa Vianmääritys huomioon.

### 3.4 Toimituksen sisältö

Poravasara, sivukahva, syvyysrajoitin, käyttöohje.

Pölynpoistovarustus TE DRS-S on lisävaruste töiden pölyttömään tekemiseen.

Muita tälle tuotteelle hyväksytyjä järjestelmätuotteita löydät **Hilti Store** -liikkeestä tai nettiosoitteesta: [www.hilti.group](http://www.hilti.group)

## 4 Tekniset tiedot

### 4.1 Poravasara

	TE 2-A22
Nimellisjännite	21,6 V
Paino EPTA Procedure 01 mukaan sis. akku B228.0	3,3 kg
Poraaminen betoniin / tiileen (poraaminen iskulla)	4 mm ... 16 mm
Metalliin porattavan reiän halkaisija	0 mm ... 10 mm
Syvyysrajoittimen maksimipituus	180 mm

### 4.2 Melutiedot ja värinäarvot

Tässä käyttöohjeessa annetut äänenpaine- ja värinäarvot on mitattu standardoitujen mittausmenetelmien mukaisesti, ja näitä arvoja voidaan käyttää sähkötyökalujen vertailussa. Ne soveltuvat myös altistumisten tilapäiseen arviointiin. Annetut arvot koskevat sähkötyökalun pääasiallisia käyttötarkoituksia. Jos sähkötyökalua kuitenkin käytetään muihin tarkoituksiin, poikkeavia työkaluja tai teriä käyttäen tai puutteellisesti huollettuna, arvot voivat poiketa tässä ilmoitetuista. Tämä saattaa merkittävästi lisätä altistumista koko työskentelyajan aikana. Altistumisia tarkasti arvioitaessa on otettava huomioon myös ne ajat, jolloin kone on kytketty pois päältä tai jolloin kone on päällä, mutta sillä ei tehdä varsinaista työtä. Tämä saattaa merkittävästi vähentää altistumista koko työskentelyajan aikana. Käyttäjän suojaamiseksi melun ja/tai värinän vaikutukselta ryhdy tarpeellisiin turvatoimenpiteisiin kuten: Sähkötyökalun ja siihen kiinnitettävien työkalujen huolto, käsien lämpiminä pitäminen, työtehtävien organisointi.

Standardin EN 60745 mukaan määritetyt melupäästöarvot

Melutehotaso ( $L_{WA}$ )	103 dB(A)
Melutehotason epävarmuus ( $K_{WA}$ )	3 dB(A)
Melupäästön äänenpainetaso ( $L_{pA}$ )	92 dB(A)
Äänenpainetaso epävarmuus ( $K_{pA}$ )	3 dB(A)

Värinän kokonaisarvot (kolmen suunnan vektorien summa), määritetty normin EN 60745 mukaisesti

Iskuporaaminen betoniin ( $a_{h,HD}$ )	15 m/s <sup>2</sup>
Poraaminen metalliin ( $a_{h,D}$ )	2,5 m/s <sup>2</sup>
Epävarmuus (K)	1,5 m/s <sup>2</sup>

### 4.3 Akku

Akkutoimintajännite	21,6 V
Ympäristön lämpötila käytettäessä	-17 °C ... 60 °C
Varastointilämpötila	-20 °C ... 40 °C
Akun lämpötila lataamisen alkaessa	-10 °C ... 45 °C



## 5 Käyttö

### 5.1 Työkohteen valmistelu

#### VAROITUS

##### **Loukkaantumisvaara vahingossa käynnistymisen seurauksena!**

- ▶ Varmista ennen akun kiinnittämistä, että tuote on kytketty pois päältä.
- ▶ Irrota akku, ennen kuin muutat koneen säätöjä tai vaihdat lisävarusteosia.

Noudata tässä dokumentaatiossa ja tuotteessa olevia turvallisuus- ja varoitushuomautuksia.

#### 5.1.1 Sivukahvan kiinnitys

1. Kierrä kahvaa sivukahvan kiinnittimen (kiinnityspanta) avaamiseksi.
2. Työnnä kiinnitin (kiinnityspanta) edestäpäin istukan päälle sille tarkoitettuun uraan saakka.
3. Aseta sivukahva haluamaasi asentoon.
4. Kierrä kahvaa sivukahvan kiinnittimen (kiinnityspanta) kiinni kiristämiseksi.

#### 5.1.2 Akun kiinnitys

1. Aseta akku koneikiinnikkeeseen siten, että se kuultavasti lukittuu.
2. Tarkasta, että akku on kunnolla kiinni.

#### 5.1.3 Akun irrotus

1. Paina akun lukituksen vapautuspainikkeita.
2. Vedä akku taaksepäin irti.

#### 5.1.4 Työkaluterän kiinnitys

1. Rasvaa työkaluterän istukkapää kevyesti.
  - ▶ Käytä vain alkuperäistä Hilti-rasvaa. Vääränlainen rasva voi vaurioittaa konetta.
2. Laita työkalu istukkaan vasteeseen saakka ja varmista, että se lukittuu paikalleen.
3. Tarkasta työkaluterän kunnollinen lukittuminen vetämällä työkaluterästä.
  - ▶ Tuote on toimintavalmis.

#### 5.1.5 Työkaluterän irrotus

#### VAARA

##### **Loukkaantumisvaara Terä kuumenee käytössä.**

- ▶ Käytä terän vaihdossa suojakäsineitä.
- 
- ▶ Vedä työkaluterän lukitsin taaksepäin vasteeseen saakka ja irrota työkaluterä.

#### 5.1.6 Syvyyss rajoittimen (lisävaruste) kiinnitys

1. Kierrä kahvaa sivukahvan kiinnittimen (kiinnityspanta) avaamiseksi.
2. Työnnä syvyyss rajoitin edestäpäin sille tarkoitettuihin 2 ohjainreikään.
3. Kierrä kahvaa sivukahvan kiinnittimen (kiinnityspanta) kiinni kiristämiseksi.

### 5.2 Työskentely

#### HUOMIO

##### **Vaurioitumisvaara väärän käsittelyn seurauksena!**

- ▶ Älä käytä suunnanvaihdon ja/tai toimintatavan valinnan kytkimiä koneen käytön aikana.

Noudata tässä dokumentaatiossa ja tuotteessa olevia turvallisuus- ja varoitushuomautuksia.

#### 5.2.1 Työkohteen valo



LED syttyy automaattisesti käyttökytkimen painamisen myötä. Käyttökytkimen vapauttamisen jälkeen LED sammuu hitaasti.

- ▶ Paina käyttökytkintä.



### 5.2.2 Pyörimissuunta

- ▶ Valitse pyörimissuunta.
  - ▶ Kytkin lukittuu tähän asentoon.

### 5.2.3 Poraus ilman iskua

- ▶ Aseta toimintatapavalitsin tämän symbolin kohdalle: .

### 5.2.4 Poraaminen iskulla

- ▶ Aseta toimintatapavalitsin tämän symbolin kohdalle: .

## 6 Huolto ja kunnossapito

### 6.1 Huolto, hoito ja kunnossapito

#### VAARA

**Loukkaantumisvaara jos akku paikallaan !**

- ▶ Irrota akku aina ennen hoito- ja kunnostustöitä!

#### Koneen hoito

- Poista pinttynyt lika varovasti.
- Puhdista jäähdytysilmaraoit varovasti kuivalla harjalla.
- Käytä kotelon puhdistamiseen vain kevyesti kostutettua kangasta. Älä käytä silikonia sisältäviä hoitoaineita, sillä ne voivat vaurioittaa muoviosia.

#### Litiumioniakkujen hoito

- Pidä akku puhtaana, öljyttömänä ja rasvattomana.
- Käytä kotelon puhdistamiseen vain kevyesti kostutettua kangasta. Älä käytä silikonia sisältäviä hoitoaineita, sillä ne voivat vaurioittaa muoviosia.
- Varo, ettei kosteutta pääse tunkeutumaan sisään.

#### Kunnossapito

- Tarkasta säännöllisin välein kaikkien näkyvien osien mahdolliset vauriot ja käyttöelementtien moitteeton toiminta.
- Jos havaitset vaurioita ja / tai toteat toimintahäiriöitä, älä käytä tuotetta. Korjauta heti **Hilti**-huollossa.
- Hoito- ja kunnostustöiden jälkeen kiinnitä kaikki suojalaitteet ja tarkasta niiden toiminta.



Käyttöturvallisuuden varmistamiseksi käytä vain alkuperäisiä varaosia ja käyttömateriaaleja. Tälle tuotteelle hyväksytyjä varaosia, kulutusmateriaaleja ja lisävarusteita löydät **Hilti Store** -liikkeestä tai osoitteesta: [www.hilti.group](http://www.hilti.group).

### 6.2 Pölysuojuksen puhdistus

- ▶ Puhdista istukan pölysuojus säännöllisin välein puhtaalla, kuivalla kankaalla.
- ▶ Pyyhi tiivistehuuli varovasti puhtaaksi ja rasvaa se kevyesti **Hilti**-rasvalla.
- ▶ Pölysuojus on ehdottomasti vaihdettava, jos sen tiivistehuuli on vaurioitunut.

## 7 Kuljetus ja varastointi

### 7.1 Akkukäyttöisten koneiden kuljetus ja varastointi

#### Kuljettaminen

#### VAROITUS

**Käynnistyminen vahingossa kuljetuksen aikana !**

- ▶ Kuljeta tuotteesi aina akku irrotettuna!
- ▶ Irrota akut.
- ▶ Älä koskaan kuljeta akkuja irrallaan muiden tavaroiden joukossa.
- ▶ Pitemmän kuljetuksen jälkeen tarkasta koneen ja akkujen mahdolliset vauriot ennen käyttöä.



**Varastointi**
**VAROITUS**
**Viallinen tai vuotava akku voi aiheuttaa vaurioita !**

- ▶ Varastoi tuotteesi aina akku irrotettuna!
- 
- ▶ Varastoi kone ja akut viileässä ja kuivassa paikassa.
  - ▶ Älä koskaan varastoi akkuja auringonpaisteessa, lämmittimen tai patterin päällä tai ikkunan vieressä.
  - ▶ Varastoi kone ja akut lasten ja asiattomien henkilöiden ulottumattomissa.
  - ▶ Pitemmän varastoinnin jälkeen tarkasta kone ja akkujen mahdolliset vauriot ennen käyttöä.

## 8 Vianmääritys

### 8.1 Apua häiriötilanteisiin

Häiriöissä, joita ei ole kuvattu tässä taulukossa tai joita et itse pysty poistamaan, ota yhteys **Hilti**-huoltoon.

### 8.2 Poravasara ei ole toimintakykyinen

Häiriö	Mahdollinen syy	Ratkaisu
Poravasara ei käynnisty.	Poravasara ylikuormittunut.	▶ Kytke poravasara pois päältä, irrota akku, älä käytä poravasaraa edelleen.
LED-merkkivalot eivät näytä mitään.	Akku ei kunnolla kiinni.	▶ Kiinnitä akku siten, että se lukittuu paikalleen kuultavasti kaksi kertaa nakshtaen.
	Akku tyhjentynyt.	▶ Vaihda akku ja lataa tyhjentynyt akku.
	Akku liian kuuma tai liian kylmä.	▶ Anna akun jäähtyä tai lämmitä suositeltuun käyttölämpötilaan.
1 LED merkkivalo vilkkuu.	Akku tyhjentynyt.	▶ Vaihda akku ja lataa tyhjentynyt akku.
	Akku liian kuuma tai liian kylmä.	▶ Anna akun jäähtyä tai lämmitä suositeltuun käyttölämpötilaan.
4 LED-merkkivaloa vilkkuu.	Poravasara hetkellisesti ylikuormittunut.	▶ Vapauta käyttökytkin ja paina sitä uudelleen.
	Ylikuumentumissuoja.	▶ Anna poravasaran jäähtyä ja puhdista jäähdytysilmaraat.

### 8.3 Poravasara on toimintakykyinen

Häiriö	Mahdollinen syy	Ratkaisu
Ei iskuja.	Poravasara liian kylmä.	▶ Aseta poravasara pintaa vasten ja anna käydä joutokäyntiä. Tarvittaessa toista tämä, kunnes iskumeکانismi toimii.
	Toimintatapavalitsin ilman iskua poraamisen asennossa	▶ Aseta toimintatapavalitsin iskulla poraamisen asentoon
Käyttökytkintä ei saa painettua tai se on lukittunut.	Suunnanvaihtokytkin keskiasennossa.	▶ Paina suunnanvaihtokytkin vasemmalle tai oikealle.
Kara ei pyöri.	Poravasaran elektroniikan sallittu käyttölämpötila ylittynyt.	▶ Anna poravasaran jäähtyä.
	Akku tyhjentynyt.	▶ Vaihda akku ja lataa tyhjentynyt akku.
Poravasara kytkeytyy automaattisesti pois päältä.	Ylikuormitussuoja laukeaa.	▶ Vapauta käyttökytkin. Anna poravasaran jäähtyä. Paina käyttökytkintä uudelleen. Kevennä koneen kuormittamista.



Häiriö	Mahdollinen syy	Ratkaisu
Akku tyhjenee tavallista nopeammin.	Akun kunto ei optimaalinen.	► Vaihda akku.
Akku ei lukitu paikalleen selvästi kaksi kertaa naksauttaen.	Akun salpanokat likaantuneet.	► Puhdista salpanokat ja kiinnitä akku uudelleen paikalleen.
Poravasara tai akku kuumeenee voimakkaasti.	Sähköinen vika	► Kytke poravasara heti pois päältä. Irrota akku ja tarkkaile sitä. Anna sen jäähtyä. Ota yhteys <b>Hilti</b> -huoltoon.
	Poravasara ylikuormittunut (käyttöraja ylittynyt).	► Valitse työtehtävään soveltuva kone.
Työkaluterää ei saa vapautettua lukituksesta.	Istukkaa ei ole vedetty kunnolla taakse.	► Vedä työkaluterän lukitsin taaksepäin vasteeseen saakka ja irrota työkaluterä.
Työkaluterä ei poraa.	Poravasara kytketty pyörimään vasemmalle.	► Kytke suunnanvaihtokytkimellä pyörimissuunta oikealle.

## 9 Hävittäminen

**Hilti**-työkalut, -koneet ja -laitteet on pääosin valmistettu kierrätyskelpoisista materiaaleista. Kierrätyksen edellytys on materiaalien asianmukainen lajittelu. Useissa maissa **Hilti** ottaa vanhat koneet ja laitteet vastaan kierrätystä ja hävitystä varten. Lisätietoja saat **Hilti**-huollosta tai -edustajalta.



- Älä hävitä sähkötyökaluja, elektronisia laitteita ja akkuja tavallisen sekajätteen mukana!

## 10 Valmistajan myöntämä takuu

- Jos sinulla on takuuehtoihin liittyviä kysymyksiä, ota yhteys paikalliseen **Hilti**-edustajaan.

# Оригинальное руководство по эксплуатации

## 1 Указания к документации

### 1.1 Об этом документе



#### Импортер и уполномоченная изготовителем организация

- (RU) Российская Федерация  
АО "Хилти Дистрибьюшн ЛТД", 141402, Московская область, г. Химки, ул. Ленинградская, стр. 25
- (BY) Республика Беларусь  
222750, Минская область, Дзержинский район, Р-1, 18-й км, 2 (около д. Слободка), помещение 1-34
- (KZ) Республика Казахстан  
Республика Казахстан, индекс 050011, г. Алматы, ул. Пугачева 4
- (KG) Киргизская Республика  
ОсОО "Т АН Д Т", 720021, Кыргызстан, Бишкек, ул. Ибраимова 29 А
- (AM) Республика Армения  
ООО Эйч-Кон, Республика Армения, г. Ереван, ул. Бабаяна 10/1

Страна производства: см. маркировочную табличку на оборудовании.

Дата производства: см. маркировочную табличку на оборудовании.

Соответствующий сертификат можно найти по адресу: [www.hilti.ru](http://www.hilti.ru)

Специальных требований к условиям хранения, транспортировки и использования, кроме указанных в руководстве по эксплуатации, нет.

Срок службы изделия составляет 5 лет.



2023934

Русский

47

- Ознакомьтесь с этим документом перед началом работы. Это является залогом безопасной работы и бесперебойной эксплуатации.
- Соблюдайте указания по технике безопасности и предупреждающие указания, приводимые в данном документе и на изделии.
- Храните руководство по эксплуатации всегда рядом с электроинструментом и передавайте электроинструмент будущим владельцам только вместе с этим руководством.

## 1.2 Пояснение к знакам (условным обозначениям)

### 1.2.1 Предупреждающие указания

Предупреждающие указания служат для предупреждения об опасностях при обращении с машиной. Используются следующие сигнальные слова:

#### **ОПАСНО**

##### **ОПАСНО !**

- ▶ Общее обозначение непосредственной опасной ситуации, которая влечет за собой тяжелые травмы или смертельный исход.

#### **ПРЕДУПРЕЖДЕНИЕ**

##### **ПРЕДУПРЕЖДЕНИЕ !**

- ▶ Общее обозначение потенциально опасной ситуации, которая может повлечь за собой тяжелые травмы или смертельный исход.





#### **ОСТОРОЖНО**

##### **ОСТОРОЖНО !**

- ▶ Общее обозначение потенциально опасной ситуации, которая может повлечь за собой легкие травмы или повреждение оборудования.


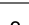
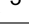

### 1.2.2 Символы, используемые в руководстве

В этом руководстве используются следующие символы:

	Перед использованием прочтите руководство по эксплуатации.
	Указания по эксплуатации и другая полезная информация
	Обращение с материалами, пригодными для вторичной переработки
	Не выбрасывайте электроустройства и аккумуляторы вместе с обычным мусором!

### 1.2.3 Символы на изображениях

На изображениях используются следующие символы:

	Эти цифры указывают на соответствующее изображение в начале данного руководства.
	Нумерация на изображениях отображает порядок выполнения рабочих операций и может отличаться от нумерации, используемой в тексте.
	Номера позиций используются в <b>обзорном</b> изображении. В <b>обзоре изделия</b> они указывают на номера в экспликации.
	Этот знак должен привлечь особое внимание пользователя при обращении с изделием.

## 1.3 Символы в зависимости от изделия

### 1.3.1 Символы на изделии

На изделии могут использоваться следующие символы:

	Сверление без удара
---	---------------------



	Сверление с ударом (ударное сверление)
	Изменение направления вращения (реверс)
$n_0$	Номинальная частота вращения в режиме холостого хода
/min	Оборотов в минуту
	Постоянный ток
Li-Ion	Литий-ионный аккумулятор
	Серия используемых литий-ионных аккумуляторов <b>Hilti</b> . Соблюдайте указания, приведенные в главе <b>Использование по назначению</b> .
	Никогда не используйте аккумулятор в качестве ударного инструмента.
	Не допускайте падения аккумулятора. Не используйте аккумулятор, который получил повреждения вследствие удара или каким-либо иным образом.
	Изделие поддерживает технологию NFC, совместимую с платформами iOS и Android.

#### 1.4 Информация об изделии

Изделия предназначены для профессионального использования, поэтому они должны обслуживаться и ремонтироваться только уполномоченным и обученным персоналом. Этот персонал должен пройти специальный инструктаж по технике безопасности. Использование изделия и его оснастки не по назначению или его эксплуатация необученным персоналом могут представлять опасность.

Типовое обозначение и серийный номер указаны на заводской табличке.

- ▶ Перепишите серийный номер в нижеприведенную табличную форму. Данные изделия необходимы при обращении в наше представительство или сервисный центр.

##### Данные изделия

Тип:	TE 2-A22
Поколение:	02
Серийный номер:	

#### 1.5 Декларация соответствия нормам

Настоящим мы с полной ответственностью заявляем, что данное изделие соответствует действующим директивам и нормам. Копию декларации соответствия нормам см. в конце этого документа.

Техническая документация (оригиналы) хранится здесь:

**Hilti** Entwicklungsgesellschaft mbH | Zulassung Geräte | Hiltistraße 6 | 86916 Kaufering, Германия

## 2 Безопасность

### 2.1 Общие указания по технике безопасности для электроинструментов

**⚠ ПРЕДУПРЕЖДЕНИЕ!** Прочтите все указания по технике безопасности и инструкции. Невыполнение приведенных ниже указаний может привести к поражению электрическим током, пожару и/или вызвать тяжелые травмы.

Сохраните все указания по технике безопасности и инструкции для следующего пользователя.

#### Безопасность рабочего места

- ▶ Следите за чистотой и хорошей освещенностью на рабочем месте. Беспорядок на рабочем месте или плохое освещение могут привести к несчастным случаям.
- ▶ Не используйте электроинструмент во взрывоопасной зоне, где имеются горючие жидкости, газы или пыль. При работе электроинструмент искрит, и искры могут воспламенить пыль или пары/газы.



- ▶ **Не разрешайте детям и посторонним приближаться к работающему электроинструменту.** Отвлекаясь от работы, можно потерять контроль над электроинструментом.

### **Электрическая безопасность**

- ▶ **Избегайте касания частями тела заземленных поверхностей труб, батарей центрального отопления, газовых/электрических плит и холодильников.** При контакте с заземленными предметами возникает повышенный риск поражения электрическим током.
- ▶ **Предохраняйте электроинструменты от дождя или воздействия влаги.** В результате попадания воды в электроинструмент возрастает риск поражения электрическим током.

### **Безопасность персонала**

- ▶ **Будьте внимательны, следите за своими действиями и серьезно относитесь к работе с электроинструментом. Не пользуйтесь электроинструментом, если вы устали или находитесь под действием наркотиков, алкоголя или медикаментов.** Незначительная ошибка при невнимательной работе с электроинструментом может стать причиной серьезного травмирования.
- ▶ **Используйте средства индивидуальной защиты и всегда надевайте защитные очки.** Использование средств индивидуальной защиты, например, респиратора, защитной обуви на нескользящей подошве, защитной каски или защитных наушников, в зависимости от вида и условий эксплуатации электроинструмента, снижает риск травмирования.
- ▶ **Избегайте непреднамеренного включения электроинструмента. Убедитесь в том, что электроинструмент выключен, прежде чем вставить аккумулятор, поднимать или переносить электроинструмент.** Ситуации, когда при переноске электроинструмента пальцы находятся на выключателе или когда электроинструмент запитывается во включенном положении, могут привести к несчастным случаям.
- ▶ **Перед включением электроинструмента удалите регулировочные приспособления или гаечные ключи.** Рабочий инструмент или гаечный ключ, находящийся во вращающейся части электроинструмента, может стать причиной получения травм.
- ▶ **Старайтесь избегать неестественных поз при работе. Постоянно сохраняйте устойчивое положение и равновесие.** Это позволит лучше контролировать электроинструмент в непредвиденных ситуациях.
- ▶ **Носите спецодежду. Не надевайте очень свободную одежду или украшения. Оберегайте волосы, одежду и защитные перчатки от вращающихся узлов электроинструмента.** Свободная одежда, украшения и длинные волосы могут быть захвачены ими.
- ▶ **Если предусмотрено подсоединение устройств для удаления и сбора пыли, убедитесь в том, что они подсоединены и используются по назначению.** Использование пылеудаляющего аппарата снижает вредное воздействие пыли.

### **Использование и обслуживание электроинструмента**

- ▶ **Не допускайте перегрузки электроинструмента. Используйте электроинструмент, предназначенный именно для данной работы.** Соблюдение этого правила обеспечит более высокое качество и безопасность работы в указанном диапазоне мощности.
- ▶ **Не используйте электроинструмент с неисправным выключателем.** Электроинструмент, включение или выключение которого затруднено, представляет опасность и должен быть отремонтирован.
- ▶ **Прежде чем приступить к регулировке устройства, замене принадлежностей или прежде чем убрать устройство на хранение извлекайте из него аккумулятор.** Данная мера предосторожности позволит предотвратить непреднамеренное включение электроинструмента.
- ▶ **Храните неиспользуемые электроинструменты в местах, недоступных для детей. Не позволяйте использовать устройство лицам, которые не ознакомлены с ним или не читали данных инструкций.** Электроинструменты представляют собой опасность в руках неопытных пользователей.
- ▶ **Тщательно ухаживайте за электроинструментами. Проверяйте безупречное функционирование подвижных деталей/частей, легкость их хода, целостность и отсутствие повреждений, которые могли бы отрицательно повлиять на работу электроинструмента. Сдавайте поврежденные части устройства в ремонт до его использования.** Причиной многих несчастных случаев является несоблюдение правил технического обслуживания электроинструментов.
- ▶ **Необходимо следить за тем, чтобы режущие инструменты были острыми и чистыми.** Заклинивание содержащихся в надлежащем состоянии режущих инструментов происходит реже, ими легче управлять.
- ▶ **Применяйте электроинструмент, принадлежности, рабочие инструменты и т. д. согласно приведенным указаниям. Учитывайте при этом рабочие условия и характер выполняемой работы.** Использование электроинструментов не по назначению может привести к опасным ситуациям.





## Использование и обслуживание аккумуляторного инструмента

- ▶ **Заряжайте аккумуляторы только с помощью зарядных устройств, рекомендованных изготовителем.** При использовании зарядного устройства для зарядки несоответствующих ему типов аккумуляторов существует опасность возгорания.
- ▶ **Используйте только оригинальные аккумуляторы, рекомендованные специально для этого электроинструмента.** Использование других аккумуляторов может привести к травмам и опасности возгорания.
- ▶ **Неиспользуемые аккумуляторы храните вдали от скрепок, монет, ключей, гвоздей, шурупов или других мелких металлических предметов, которые могут стать причиной замыкания контактов.** Замыкание контактов аккумулятора может привести к ожогам или возгоранию.
- ▶ **При неверном обращении с аккумулятором из него может вытечь электролит. Избегайте контакта с ним.** Вытекший из аккумулятора электролит может привести к раздражению кожи или ожогам. При случайном контакте смойте водой. При попадании электролита в глаза дополнительно обратитесь за помощью к врачу.

## Сервис

- ▶ **Доверяйте ремонт своего электроинструмента только квалифицированному персоналу, использующему только оригинальные запчасти.** Этим обеспечивается поддержание электроинструмента в безопасном и исправном состоянии.

## 2.2 Дополнительные указания по технике безопасности при работе с перфоратором

### Безопасность персонала

- ▶ Используйте электроинструмент только в технически исправном состоянии.
- ▶ Внесение изменений в конструкцию электроинструмента или его модификация категорически запрещаются.
- ▶ Используйте дополнительные рукоятки, которые входят в комплект электроинструмента. Потеря контроля над электроинструментом может привести к травмам.
- ▶ При сквозном сверлении ограждайте опасную зону с противоположной стороны стены. Вылетающие наружу и/или падающие вниз осколки могут травмировать других людей.
- ▶ Всегда надежно удерживайте электроинструмент обеими руками за предусмотренные для этого рукоятки. Следите за тем, чтобы рукоятки были сухими и чистыми.
- ▶ При опасности повреждения рабочим инструментом скрытой электропроводки держите электроинструмент за изолированные поверхности рукояток. При контакте с токопроводящей линией металлические части электроинструмента также находятся под напряжением, что может привести к поражению электрическим током.
- ▶ Не прикасайтесь к вращающимся деталям/узлам электроинструмента — опасность травмирования!
- ▶ При работе с электроинструментом надевайте подходящие защитные очки, защитную каску, защитные наушники, защитные перчатки и легкий респиратор.
- ▶ При замене рабочего инструмента надевайте защитные перчатки. Соблюдайте осторожность при замене рабочего инструмента — контакт с ним может привести к порезам и ожогам.
- ▶ Пользуйтесь защитными очками. Осколки материала могут травмировать тело и глаза.
- ▶ Перед началом работы выясните по материалу заготовки класс опасности возникающей пыли. Для работы с электроинструментом используйте строительный (промышленный) пылесос, степень защиты которого соответствует нормам пылезащиты, действующим в месте эксплуатации. Пыль, возникающая при обработке лакокрасочных покрытий, содержащих свинец, некоторых видов древесины, бетона/кирпичной и каменной кладки с частицами кварца, минералов, а также металла может представлять опасность для здоровья.
- ▶ Обеспечьте оптимальную вентиляцию рабочей зоны и при необходимости надевайте респиратор, который подходит для защиты от конкретного вида пыли. Вдыхание частиц такой пыли или контакт с ней может стать причиной появления аллергических реакций и/или заболеваний дыхательных путей как у пользователя, так и у находящихся поблизости лиц. Некоторые виды пыли (например пыль, возникающая при обработке дуба или бука) считаются канцерогенными, особенно в комбинации с дополнительными материалами, используемыми для обработки древесины (соль хромовой кислоты, средства защиты древесины). К работам с асбестосодержащим материалом должны допускаться только специалисты.
- ▶ Чтобы во время работы руки не затекали, время от времени делайте упражнения для расслабления и разминки пальцев. При длительной работе возникающие вибрации могут привести к нарушениям кровоснабжения сосудов или в нервных окончаниях пальцев/кистей рук или в запястьях.



### Электрическая безопасность

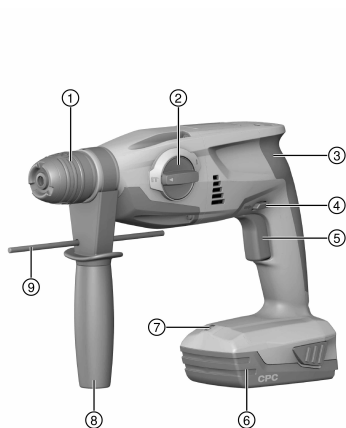
- ▶ Перед началом работы проверяйте рабочее место на наличие скрытой электропроводки, газо- и водопроводных труб. Открытые металлические части электроинструмента могут стать проводниками электрического тока, если случайно задеть электропроводку.

### Бережное обращение с электроинструментами и их правильная эксплуатация

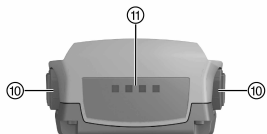
- ▶ Немедленно выключайте электроинструмент в случае блокировки рабочего инструмента. Электроинструмент может увести в сторону.
- ▶ Дождитесь, пока электроинструмент полностью не остановится, прежде чем отложить его в сторону.

## 3 Назначение

### 3.1 Обзор изделия 1



- ① Зажимной патрон TE-C Click
- ② Переключатель режимов работы
- ③ Рукоятка
- ④ Переключатель левого/правого вращения с блокировкой включения
- ⑤ Основной выключатель
- ⑥ Аккумулятор
- ⑦ Подсветка рабочей зоны
- ⑧ Боковая рукоятка
- ⑨ Ограничитель глубины
- ⑩ Кнопки (де)блокировки с дополнительной функцией активации индикатора уровня заряда аккумулятора
- ⑪ Индикатор уровня заряда аккумулятора



### 3.2 Использование по назначению

Данный электроинструмент представляет собой аккумуляторный перфоратор, который предназначен для ударного сверления отверстий в бетоне и кирпичной кладке, безударного сверления в стали, древесине и кирпичной кладке, а также для вворачивания и выворачивания шурупов.

- Для этого изделия используйте только литий-ионные аккумуляторы **Hilti** серии В 22.
- Для зарядки этих аккумуляторов используйте только разрешенные фирмой **Hilti** зарядные устройства. Дополнительную информацию см. в **Hilti Store** или на [www.hilti.group](http://www.hilti.group).

### 3.3 Уровень заряда литий-ионного аккумулятора

При использовании литий-ионных аккумуляторов уровень их заряда можно контролировать путем нажатия одной из кнопок (де)блокировки.

Состояние	Значение
Горят четыре светодиода.	Уровень заряда: от 75 % до 100 %
Горят три светодиода.	Уровень заряда: от 50 % до 75 %



Состояние	Значение
Горят два светодиода.	Уровень заряда: от 25 % до 50 %
Горит один светодиод.	Уровень заряда: от 10 % до 25 %
Мигает один светодиод.	Уровень заряда: < 10 %

Во время работы и непосредственно после ее завершения вызов индикации уровня заряда невозможен. При мигании светодиодов индикатора уровня заряда аккумулятора следуйте указаниям из главы «Поиск и устранение неисправностей».

### 3.4 Комплект поставки

Перфоратор, боковая рукоятка, ограничитель глубины, руководство по эксплуатации  
 Пылеудаляющий модуль TE DRS-S используется в качестве оснастки для выполнения работ без пыли. Другие системные принадлежности, допущенные для использования с этим изделием, вы можете найти в Hilti Store или на сайте [www.hilti.group](http://www.hilti.group)

## 4 Технические данные

### 4.1 Перфоратор

	TE 2-A22
Номинальное напряжение	21,6 В
Масса по EPTA Procedure 01 с аккумулятором B22/8.0	3,3 кг
Диапазон диаметров сверления в бетоне/кирпичной кладке (сверление с ударом)	4 мм ... 16 мм
Диапазон диаметров сверления отверстий в металле (сверло по металлу)	0 мм ... 10 мм
Максимальная длина ограничителя глубины	180 мм

### 4.2 Данные о шуме и вибрации

Приводимые здесь значения уровня звукового давления и вибрации были измерены согласно стандартизированной процедуре измерения и могут использоваться для сравнения электроинструментов между собой. Они также подходят для предварительной оценки вредных воздействий. Указанные данные применимы к основным областям применения электроинструмента. Однако, если электроинструмент используется для других целей, с другими рабочими инструментами или в случае его неудовлетворительного технического обслуживания, данные могут быть иными. Вследствие этого в течение всего периода работы электроинструмента возможно значительное увеличение вредных воздействий. Для точного определения вредных воздействий следует также учитывать промежутки времени, в течение которых электроинструмент находится в выключенном состоянии или работает вхолостую. Вследствие этого в течение всего периода работы электроинструмента возможно заметное уменьшение вредных воздействий. Примите дополнительные меры безопасности для защиты пользователя от воздействия возникающего шума и/или вибраций, например: техническое обслуживание электроинструмента и рабочих (сменных) инструментов, сохранение тепла рук, правильная организация рабочих процессов.

#### Значения уровня шума определены согласно EN 60745

Уровень звуковой мощности ( $L_{WA}$ )	103 дБ(A)
Погрешность уровня звуковой мощности ( $K_{WA}$ )	3 дБ(A)
Значение уровня звукового давления ( $L_{pA}$ )	92 дБ(A)
Погрешность уровня звукового давления ( $K_{pA}$ )	3 дБ(A)

#### Общие значения вибрации (векторная сумма по трем осям), измер. согл. EN 60745

Сверление с ударом в бетоне ( $a_{h, HD}$ )	15 м/с <sup>2</sup>
Сверление в металле ( $a_{h, D}$ )	2,5 м/с <sup>2</sup>
Коэффициент погрешности (K)	1,5 м/с <sup>2</sup>



**4.3 Аккумулятор**

Рабочее напряжение аккумулятора	21,6 В
Температура окружающей среды при эксплуатации	-17 °C ... 60 °C
Температура хранения	-20 °C ... 40 °C
Температура аккумулятора в начале зарядки	-10 °C ... 45 °C

**5 Управление****5.1 Подготовка к работе****⚠ ОСТОРОЖНО**

**Опасность травмирования вследствие непреднамеренного пуска!**

- ▶ Перед установкой аккумулятора убедитесь в том, что соответствующий электроинструмент выключен.
- ▶ Прежде чем приступить к регулировке электроинструмента или замене принадлежностей выньте аккумулятор из электроинструмента.

Соблюдайте указания по технике безопасности и предупреждающие указания, приводимые в данном документе и на изделии.

**5.1.1 Установка боковой рукоятки 4**

1. Поверните рукоятку, чтобы расфиксировать фиксатор (фиксирующее кольцо) боковой рукоятки.
2. Установите фиксатор (фиксирующее кольцо) спереди через патрон в предусмотренный для этого паз.
3. Установите боковую рукоятку в нужное положение.
4. Поверните рукоятку, чтобы зажать фиксатор (фиксирующее кольцо) боковой рукоятки.

**5.1.2 Установка аккумулятора 2**

1. Установите и зафиксируйте аккумулятор в креплении электроинструмента (при правильной фиксации слышен характерный щелчок).
2. Проверьте надежность фиксации аккумулятора.

**5.1.3 Удаление аккумулятора 3**

1. Нажмите кнопки деблокировки аккумулятора.
2. Вытяните аккумулятор движением к себе.

**5.1.4 Установка рабочего инструмента 5**

1. Слегка смажьте хвостовик рабочего инструмента.
  - ▶ Используйте только оригинальную пластичную смазку фирмы Hilti. Использование неподходящей пластичной смазки может стать причиной повреждений электроинструмента.
2. Вставьте рабочий инструмент до упора в зажимной патрон (до фиксации).
3. После этого потяните рабочий инструмент на себя, чтобы убедиться в том, что он надежно зафиксирован.
  - ▶ Электроинструмент готов к работе.

**5.1.5 Извлечение рабочего инструмента 6****⚠ ПРЕДУПРЕЖДЕНИЕ**

**Опасность травмирования** Рабочий инструмент по ходу работы может нагреваться.

- ▶ При замене рабочего инструмента надевайте защитные перчатки.

- ▶ Оттяните патрон до упора назад и извлеките рабочий инструмент.

**5.1.6 Установка ограничителя глубины (опция) 7**

1. Поверните рукоятку, чтобы расфиксировать фиксатор (фиксирующее кольцо) боковой рукоятки.
2. Установите ограничитель глубины спереди в два специально предназначенных для этого направляющих отверстия.



3. Поверните рукоятку, чтобы зажать фиксатор (фиксирующее кольцо) боковой рукоятки.

## 5.2 Выполнение работ

### ВНИМАНИЕ

**Опасность повреждения вследствие неправильного обращения!**

- ▶ Не нажимайте переключатель направления вращения и/или режима во время работы.

Соблюдайте указания по технике безопасности и предупреждающие указания, приводимые в данном документе и на изделии.

### 5.2.1 Освещение рабочего места



Светодиод включается автоматически при нажатии (основного) выключателя. После отпускания выключателя светодиод медленно гаснет.

- ▶ Нажмите основной выключатель.

### 5.2.2 Направление вращения

- ▶ Отрегулируйте направление вращения.
  - ▶ Переключатель зафиксируется в этом положении.

### 5.2.3 Сверление без удара

- ▶ Установите переключатель режимов работы на этот символ:

### 5.2.4 Ударное сверление

- ▶ Установите переключатель режимов работы на этот символ:

## 6 Уход и техническое обслуживание

### 6.1 Уход и техническое обслуживание

#### ПРЕДУПРЕЖДЕНИЕ

**Опасность травмирования при установленном аккумуляторе !**

- ▶ Перед проведением любых работ по уходу и обслуживанию всегда извлекайте аккумулятор!

#### Уход за электроинструментом

- Осторожно удалите налипшую грязь.
- Осторожно очищайте вентиляционные прорези сухой щеткой.
- Очищайте корпус только с использованием слегка увлажненной ткани. Не используйте средства по уходу с содержанием силикона, так как они могут повредить пластмассовые детали.

#### Уход за литий-ионными аккумуляторами

- Аккумулятор должен быть чистым, без следов масла и смазки.
- Очищайте корпус только с помощью слегка увлажненной ткани. Не используйте средства по уходу с содержанием силикона, так как они могут повредить пластмассовые детали.
- Не допускайте попадания влаги внутрь инструмента.

#### Техническое обслуживание

- Регулярно проверяйте все видимые части электроинструмента на отсутствие повреждений, а элементы управления — на исправное функционирование.
- При повреждениях и/или функциональных сбоях не используйте электроинструмент. Сразу сдавайте его в сервисный центр **Hilti** для ремонта.
- После ухода за электроинструментом и его технического обслуживания установите все защитные приспособления на место и проверьте их исправное функционирование.



Для обеспечения безопасной эксплуатации используйте только оригинальные запасные части и расходные материалы. Допущенные нами запасные части, расходные материалы и принадлежности для данного устройства вы можете найти в **Hilti Store** или на сайте **www.hilti.group**.



## 6.2 Очистка пылезащитного колпачка

- ▶ Регулярно выполняйте очистку пылезащитного колпачка на зажимном патроне с помощью сухой и чистой ткани.
- ▶ Осторожно протрите уплотнительный язычок начисто и снова смажьте его тонким слоем пластичной смазки **Hilti**.
- ▶ Всегда заменяйте пылезащитный колпачок, если уплотнительный язычок поврежден.

## 7 Транспортировка и хранение

### 7.1 Транспортировка и хранение аккумуляторных электроинструментов

#### Транспортировка



**ОСТОРОЖНО**

#### Непреднамеренное включение в ходе транспортировки !

- ▶ При транспортировке своих электроинструментов всегда отсоединяйте от них аккумуляторы!
- ▶ Извлеките аккумуляторы.
- ▶ Категорически запрещается транспортировать аккумуляторы без упаковки (бестарным способом).
- ▶ После продолжительной транспортировки проверяйте электроинструмент и аккумуляторы перед использованием на отсутствие повреждений.

#### Хранение



**ОСТОРОЖНО**

#### Непреднамеренное повреждение вследствие неисправных или протекающих аккумуляторов !

- ▶ При хранении своих электроинструментов всегда отсоединяйте от них аккумуляторы!
- ▶ По возможности храните электроинструмент и аккумуляторы в сухом и прохладном месте.
- ▶ Никогда не оставляйте аккумуляторы на солнце, на нагревательных/отопительных элементах или за стеклом.
- ▶ Храните электроинструмент и аккумуляторы в сухом виде в недоступном для детей и других лиц, не допущенных к работе с электроинструментом, месте.
- ▶ После длительного хранения перед использованием проверяйте электроинструмент и аккумуляторы на отсутствие повреждений.

## 8 Поиск и устранение неисправностей

### 8.1 Помощь при неисправностях

В случае неисправностей, которые не указаны в этой таблице или которые вы не можете устранить самостоятельно, обращайтесь в ближайший сервисный центр **Hilti**.

### 8.2 Перфоратор неисправен

Неисправность	Возможная причина	Решение
Перфоратор не включается.	Перфоратор перегружен.	▶ Выключите перфоратор, извлеките аккумулятор и больше не выполняйте никаких работ с использованием перфоратора.
Светодиоды ничего не показывают.	Аккумулятор вставлен не полностью.	▶ Установите аккумулятор с характерным (двойным) щелчком.
	Разрядите аккумулятор.	▶ Замените аккумулятор и зарядите разряженный аккумулятор.
	Аккумулятор слишком холодный/слишком горячий	▶ Уменьшите/увеличьте температуру аккумулятора до рекомендованной рабочей температуры.



Неисправность	Возможная причина	Решение
Мигает 1 светодиод.	Разрядите аккумулятор.	► Замените аккумулятор и зарядите разряженный аккумулятор.
	Аккумулятор слишком холодный/слишком горячий	► Уменьшите/увеличьте температуру аккумулятора до рекомендованной рабочей температуры.
4 светодиода мигают.	Кратковременная перегрузка перфоратора.	► Отпустите выключатель и нажмите его снова.
	Сработала защита от перегрева.	► Дайте остыть перфоратору и очистите его вентиляционные отверстия.

### 8.3 Перфоратор исправен

Неисправность	Возможная причина	Решение
Не выполняется сверление с ударом.	Перфоратор слишком холодный.	► Установите перфоратор на основание и дайте ему поработать в холостом режиме. При необходимости повторите процедуру, пока работает ударный механизм.
	Установите переключатель режимов работы в положение «Сверление с ударом»  .	► Установите переключатель режимов работы в положение «Сверление с ударом»  .
Основной выключатель не включается/заблокирован.	Переключатель левого/правого вращения находится в среднем положении.	► Переведите переключатель левого/правого вращения в правое или левое положение.
Шпиндель не вращается	Превышена допустимая рабочая температура электроники перфоратора.	► Дайте остыть перфоратору.
	Разрядите аккумулятор.	► Замените аккумулятор и зарядите разряженный аккумулятор.
Перфоратор автоматически отключается.	Сработала система защиты от перегрузки электродвигателя.	► Отпустите основной выключатель. Дайте остыть перфоратору. Нажмите выключатель снова. Уменьшите нагрузку на электроинструмент.
Аккумулятор разряжается быстрее, чем обычно.	Состояние аккумулятора далеко от оптимального.	► Замените аккумулятор.
При установке аккумулятора не слышно характерного (двойного) щелчка.	Грязь на контактах аккумулятора.	► Очистите фиксирующие выступы и установите аккумулятор повторно.
Сильный нагрев перфоратора или аккумулятора.	Электрическая неисправность	► Немедленно выключите перфоратор. Извлеките аккумулятор и наблюдайте за ним. Дайте ему остыть. Свяжитесь с сервисной службой <b>Hilti</b> .
	Перфоратор перегружен (работа за пределами эксплуатационных характеристик).	► Выберите подходящий для конкретной области применения электроинструмент.
Рабочий инструмент не высвобождается из фиксатора.	Не полностью отжат зажимной патрон.	► Извлеките фиксатор до упора и извлеките рабочий инструмент.



Неисправност	Возможна причина	Решение
Рабочий (сменный) инструмент не функционирует.	Перфоратор установлен на левое вращение.	▶ Переведите переключатель левого/правого вращения в правое положение.

## 9 Утилизация

Большинство материалов, из которых изготовлены электроинструменты Hilti, подлежат вторичной переработке. Перед утилизацией следует тщательно рассортировать материалы (для удобства их последующей переработки). Во многих странах фирма Hilti уже организовала прием старых (электро)инструментов (изделий) для утилизации. Дополнительную информацию по этому вопросу можно получить в отделе по обслуживанию клиентов или у консультантов по продажам фирмы Hilti.



- ▶ Не выбрасывайте электрические инструменты, электронные устройства/приборы и аккумуляторы вместе с обычным мусором!

## 10 Гарантия производителя

- ▶ С вопросами относительно гарантийных условий обращайтесь в ближайшее представительство Hilti.

# Оригинално Ръководство за експлоатация

## 1 Данни за документацията

### 1.1 Към настоящата документация

- Преди въвеждане в експлоатация прочетете настоящата документация. Това е предпоставка за безопасна работа и безаварийна употреба.
- Съблюдавайте указанията за безопасност и предупреждение в настоящата документация и върху продукта.
- Съхранявайте Ръководството за експлоатация винаги заедно с продукта и предавайте продукта на други лица само заедно с настоящото ръководство.

### 1.2 Условни обозначения

#### 1.2.1 Предупредителни указания

Предупредителните указания предупреждават за опасност в зоната около продукта. Използват се следните сигнални думи:

#### ОПАСНОСТ

##### ОПАСНОСТ !

- ▶ Отнася се за непосредствена опасност от заплаха, която води до тежки телесни наранявания или смърт.

#### ПРЕДУПРЕЖДЕНИЕ

##### ПРЕДУПРЕЖДЕНИЕ !

- ▶ Отнася се за възможна опасност от заплаха, която може да доведе до тежки телесни наранявания или смърт.

#### ПРЕДПАЗЛИВОСТ

##### ПРЕДПАЗЛИВОСТ !

- ▶ Отнася се за възможна опасна ситуация, която може да доведе до леки телесни наранявания или материални щети.





### 1.2.2 Символи в документацията

В настоящата документация се използват следните символи:

	Преди употреба прочетете Ръководството за експлоатация
	Препоръки при употреба и друга полезна информация
	Боравене с рециклируеми материали
	Не изхвърляйте електроуреди и акумулатори в битовите отпадъци

### 1.2.3 Символи във фигурите

Във фигурите се използват следните символи:

<b>2</b>	Тези числа препращат към съответната фигура в началото на настоящото ръководство
3	Номерацията възпроизвежда последователното изпълнение на работните стъпки в изображението и може да се различава от работните стъпки в текста
<b>11</b>	Позиционните номера се използват във фигурата <b>Преглед</b> и препращат към номерата на легендата в Раздел <b>Преглед на продукта</b>
	Този знак трябва да предизвика Вашето специално внимание при работа с продукта.

## 1.3 Символи в зависимост от продукта

### 1.3.1 Символи върху продукта

Върху продукта може да се използват следните символи:

	Безударно пробиване
	Ударно пробиване (пробиване с удар)
	Дясно/ляво въртене
$n_0$	Обороти на празен ход при измерване
/min	Обороти в минута
	Постоянен ток
Li-Ion	Литиево-йонен акумулатор
	Използвани типове <b>HilTI</b> литиево-йонни акумулатори. Съблюдавайте указанията в Раздел <b>Употреба по предназначение</b> .
	Никога не използвайте акумулатора като ударен механизъм.
	Не оставяйте акумулатора да падне. Не използвайте акумулатор, който е бил ударен или е повреден по друг начин.
	Уредът поддържа NFC-технологията, която е съвместима с iOS- и Android платформи.

## 1.4 Информация за продукта

**HILTI** Продуктите са предназначени за професионални потребители и могат да бъдат обслужвани, поддържани в изправност и ремонтирани само от оторизиран компетентен персонал. Този персонал трябва да бъде специално инструктиран за възможните опасности. Продуктът и неговите приспособления могат да бъдат опасни, ако бъдат експлоатирани неправомерно от неквалифициран персонал или ако бъдат използвани не по предназначение.

Обозначението на типа и серийният номер са отбелязани върху типовата табелка.



2023934

Български

59

- ▶ Пренесете серийния номер в представената по-долу таблица. Вие се нуждаете от данните за продукта, когато се обръщате с въпроси към нашето представителство или сервизен отдел.

**Данни за продукта**

Тип:	TE 2-A22
Поколение:	02
Серийн №:	

**1.5 Декларация за съответствие**

Ние декларираме на собствена отговорност, че описаният тук продукт отговаря на действащите директиви и стандарти. Копие на Декларацията за съответствие ще намерите в края на настоящата документация.

Техническата документация се съхранява тук:

Hilti Entwicklungsgesellschaft mbH | Zulassung Geräte | Hiltistraße 6 | 86916 Kaufering, DE

**2 Безопасност****2.1 Общи указания за безопасност при електроинструменти**

**⚠ ПРЕДУПРЕЖДЕНИЕ!** Запознайте се с всички указания за безопасност и инструкции. Неспазването на приведените по-долу указания за безопасност и инструкции може да причини електрически удар, пожар и/или тежки наранявания.

Съхранявайте всички указания за безопасност и инструкции за бъдещи справки.

**Безопасност на работното място**

- ▶ **Поддържайте работното си място чисто и добре осветено.** Безпорядъкът или недостатъчното осветление в работната зона могат да доведат до злополуки.
- ▶ **Не работете с електроинструмента във взривоопасна среда, където има горими течности, газове или прах.** В електроинструментите се отделят искри, които могат да възпламенят прахове или изпарения.
- ▶ **Дръжте деца и странични лица на безопасно разстояние, докато работите с електроинструмента.** Ако вниманието Ви бъде отклонено, може да загубите контрол върху уреда.

**Безопасност при работа с електроинструменти**

- ▶ **Избягвайте допира на тялото Ви до заземени повърхности като тръби, отоплителни уреди, печки и хладилници.** Рискът от възникване на токов удар се увеличава, когато тялото Ви е заземено.
- ▶ **Предпазвайте електроинструментите от дъжд или влага.** Проникването на вода в електроинструмента увеличава риска от електрически удар.

**Безопасен начин на работа**

- ▶ **Бъдете концентрирани, следете внимателно действията си и постъпвайте разумно при работа с електроинструменти.** Не използвайте електроинструмент, когато сте уморени или се намирате под въздействие на наркотици, алкохол или медикаменти. Само един момент на невнимание при използването на електроинструмента може да доведе до сериозни наранявания.
- ▶ **Носете лични предпазни средства и работете винаги със защитни очила.** Носенето на лични предпазни средства, като противопрахова маска, обезопасени обувки със стабилен грайфер, защитна каска или антифони, според вида и употребата на електроинструмента, намалява риска от наранявания.
- ▶ **Внимавайте да не включите неволно електроинструмента. Уверете се, че електроинструментът е изключен, преди да го свържете към акумулатора, преди да го вдигнете или пренасяте.** Ако при носене на електроинструмента държите пръста си върху пусковия прекъсвач или ако свържете включения уред към електрозахранването, съществува опасност от злополука.
- ▶ **Преди да включите електроинструмента, се уверете, че сте отстранили от него всички инструменти за настройка или гаечни ключове.** Инструмент или ключ, който се намира на въртящо се звено, може да доведе до наранявания.
- ▶ **Избягвайте неудобните положения на тялото. Работете при стабилно положение на тялото и пазете равновесие във всеки един момент.** Така ще можете да контролирате електроинструмента по-добре, ако възникнат неочаквани ситуации.
- ▶ **Работете с подходящо облекло. Не работете с широки и дълги дрехи или украшения. Дръжте косата, дрехите и ръкавиците далече от въртящи се части.** Свободните дрехи, украшенията или дългите коси могат да бъдат захванати и увлечени от въртящи се части.



- ▶ **Ако могат да бъдат монтирани съоръжения за събиране и изсмукване на прах, уверете се, че те са включени и се използват правилно.** Използването на прахоуловител може да намали породените от прахове опасности.

#### **Използване и обслужване на електроинструмента**

- ▶ **Не претоварвайте уреда.** Използвайте електроинструмента само съобразно неговото предназначение. Ще работите по-добре и по-безопасно, ако използвате подходящия електроинструмент в посочения диапазон на мощност.
- ▶ **Не използвайте електроинструмент, чийто прекъсвач е повреден.** Електроинструмент, който не може повече да бъде включван или изключван, е опасен и трябва да бъде ремонтиран.
- ▶ **Отстранете акумулатора, преди да предприемете действия по настройките на уреда, смяната на принадлежностите или преди да приберете уреда.** Тази предпазна мярка предотвратява опасността от задействане на електроинструмента по невнимание.
- ▶ **Съхранявайте неизползвани в момента електроинструменти извън досега на деца.** Не допускайте уредът да бъде използван от лица, които не са запознати с него или не са прочели настоящите инструкции. Когато са в ръцете на неопитни потребители, електроинструментите могат да бъдат опасни.
- ▶ **Отнасяйте се към електроинструментите грижливо.** Проверявайте дали подвижните елементи функционират безупречно и не заклинват, дали има счупени или повредени части, които нарушават функциите на електроинструмента. Преди да използвате уреда, предайте повредените части за ремонт. Много от злополуките се дължат на лошо поддържани електроинструменти.
- ▶ **Поддържайте режещите инструменти винаги добре заточени и чисти.** Добре поддържаните режещи инструменти с остри ръбове заклинват по-рядко и се водят по-лесно.
- ▶ **Използвайте електроинструменти, принадлежности, сменяеми инструменти и т.н. съгласно настоящите инструкции.** Съобразявайте се и с конкретните работни условия и с дейностите, които трябва да бъдат извършвани. Употребата на електроинструменти за цели, различни от предвидените от производителя, може да доведе до опасни ситуации.

#### **Използване и обслужване на акумулаторния инструмент**

- ▶ **Зареждайте акумулаторите само с препоръчани от производителя зарядни устройства.** При зарядно устройство, подходящо за определен вид акумулатори, съществува опасност от пожар, ако то се използва с други акумулатори.
- ▶ **Използвайте в електроинструментите само предвидените за съответния модел акумулатори.** Употребата на други акумулатори може да доведе до наранявания и опасност от пожар.
- ▶ **Съхранявайте неизползваните акумулатори далече от кламери, монети, ключове, пирони, винтове или други дребни метални предмети, тъй като те могат да предизвикат късо съединение в контактите.** При късо съединение в контактите на акумулатора може да се получат изгаряния или да възникне пожар.
- ▶ **Ако акумулаторът се използва неправилно, от него може да излезе течност.** Избягвайте контакт с течността. Излизащата от акумулатора течност може да причини кожни раздразнения или изгаряния. При случаен контакт промийте мястото с вода. Ако течността попадне в очите, потърсете допълнително лекарска помощ.

#### **Сервизиране**

- ▶ **Ремонтът на електроинструмента Ви трябва да се извършва само от квалифицирани специалисти и само с оригинални резервни части.** По този начин се гарантира съхранение на безопасността на електроинструмента.

## **2.2 Допълнителни указания за безопасност при ударно-пробивна машина**

### **Безопасен начин на работа**

- ▶ Използвайте продукта само в технически изправно състояние.
- ▶ Никога не извършвайте манипулации или промени по уреда.
- ▶ Използвайте доставените заедно с уреда допълнителни ръкохватки. Загубата на контрол може да доведе до наранявания.
- ▶ При пробиване на проходни отвори обезопасете областта на срещуположната страна на извършваните дейности. Отделящите се отломки могат да изпаднат навън и / или надолу и да наранят други хора.
- ▶ Винаги дръжте уреда здраво с две ръце за предвидените за целта ръкохватки. Поддържайте ракохватките сухи и чисти.
- ▶ Дръжте уреда за изолираните повърхности за хващане, когато извършвате работи, при които сменяемият инструмент може да попадне на скрита токопроводимост. Контактът с тоководещи



проводници може да постави под напрежение също и метални части на уреда и да доведе до възникване на токов удар.

- ▶ Избягвайте допира до въртящи се части - опасност от нараняване!
- ▶ При експлоатация на уреда носете подходящи защитни очила, защитна каска, антифони, защитни ръкавици и лека маска за дихателна защита.
- ▶ При подмяната на инструменти носете защитни ръкавици. Допирът до сменяемия инструмент може да причини порезни рани и изгаряния.
- ▶ Използвайте защита за очите. Отломките от материала могат да наранят тялото и очите.
- ▶ Преди началото на работния процес се осведомете за степента на опасност на отделящия се при работа прах. Използвайте промишлен прахоуловител с официално разрешен клас на защита, който отговаря на местните наредби за защита на работещите от прах. Прахове от материали, като съдържаща олово боя, някои видове дървесина, бетон/зидария/скала, които съдържат кварц и минерали, както и метали, могат да бъдат вредни за здравето.
- ▶ Погрижете се за доброто проветряване на работното място и при нужда носете маска за дихателна защита, която е подходяща за съответния прах. При допир или вдишване на прах могат да възникнат алергични реакции и/или заболявания на дихателните пътища на потребителя или на намиращите се в близост лица. Някои прахове, като прах от дъб или бук, се считат за канцерогенни, особено в комбинация с добавки за дървообработка (хромат, средства за защита на дървесина). Азбестосъдържащият материал трябва да се обработва само от специалисти.
- ▶ Правете работни паузи и упражнения за подобряване на кръвообращението в пръстите. При продължителна работа вибрациите могат да предизвикат нарушения на кръвоносните съдове или нервната система в областта на ставите на пръстите, ръцете или китките.

#### **Безопасност при работа с електроинструменти**

- ▶ Преди началото на работния процес проверете работната зона за скрити електрически проводници, газо- и водопроводи. Външно лежащите метални елементи на уреда могат да причинят електрически удар, ако по невнимание повредите токопроводник.

#### **Грижливо отношение към електроинструменти и внимателно боравене с тях**

- ▶ Изключете електроинструмента незабавно, ако инструментът блокира. Уредът може да се отклони настрана.
- ▶ Преди да свалите електроинструмента, изчакайте, докато престане да работи.



### 3 Описание

#### 3.1 Преглед на продукта



- ① Патронник TE-C Click
- ② Превключвател за избор на функции
- ③ Ръкохватка
- ④ Ключ дясно/ляво въртене с блокировка срещу включване
- ⑤ Команден ключ
- ⑥ Акумулатор
- ⑦ Осветление в работната среда
- ⑧ Странична ръкохватка
- ⑨ Дълбокомер
- ⑩ Бутони за освобождаване с допълнителна функция Активиране на индикацията за състоянието на зареждане
- ⑪ Индикация за състоянието на зареждане на акумулатор

#### 3.2 Употреба по предназначение

Описаният продукт представлява акумулаторна ударно-пробивна машина. Той е предназначен за пробиване в стомана, дърво и зидария, за ударно пробиване в бетон и зидария и за завиване и отвиване на винтове.

- За този продукт използвайте само литиево-йонните акумулатори на **Hilti** от тип B 22.
- За тези акумулатори използвайте само разрешените от **Hilti** зарядни устройства. Повече информация ще намерите във Вашия **Hilti Store** или на: [www.hilti.group](http://www.hilti.group)

#### 3.3 Индикатор на литиево-йонния акумулатор

При използването на литиево-йонния акумулатор състоянието на зареждане може да бъде индикирано чрез натискане на един от бутоните за освобождаване.

Състояние	Значение
4 светодиода светят.	Състояние на зареждане: 75 % до 100 %
3 светодиода светят.	Състояние на зареждане: 50 % до 75 %
2 светодиода светят.	Състояние на зареждане: 25 % до 50 %
1 светодиод свети.	Състояние на зареждане: 10 % до 25 %
1 светодиод мига.	Състояние на зареждане: < 10 %

По време на работата или непосредствено след нейното спиране не е възможно отчитане на състоянието на зареждане. При мигащи светодиоди на индикацията за състоянието на зареждане на акумулатора, моля, съблюдавайте указанията в Раздел Локализиране на повреда.



### 3.4 Обем на доставката

ударно-пробивна машина, странична ръкохватка, дълбокомер, Ръководство за експлоатация.  
Праховият модул TE DRS-S се предлага като принадлежност за безпрахова работа.  
Други системни продукти, разрешени за Вашия продукт, ще намерите във Вашия **Hilti Store** или на:  
[www.hilti.group](http://www.hilti.group)

## 4 Технически данни

### 4.1 Ударно-пробивна машина

	<b>TE 2-A22</b>
Номинално напрежение	21,6 В
Тегло съгласно EPTA Procedure 01 включително акумулатор B228.0	3,3 кг
Диапазон на пробиване в бетон/зидария (ударно пробиване)	4 мм ... 16 мм
Диапазон на пробиване в метал (плътно свредло)	0 мм ... 10 мм
Максимална дължина на дълбокомер	180 мм

### 4.2 Информация за шума и стойности на вибрациите

Посочените в настоящите инструкции стойности на звуковото налягане и на вибрациите са били измерени в съответствие със стандартизиран метод на измерване и могат да бъдат използвани при сравняването на електроинструменти. Те са подходящи и за предварителна оценка на натоварването от трептения. Посочените данни представят основните приложения на електроинструмента. Ако обаче електроинструментът се използва за други приложения, с различни сменяеми инструменти или при недостатъчна поддръжка, в данните може да има отклонения. Това може значително да повиши натоварването от трептения през целия период на експлоатация. За точна преценка на натоварването от трептения трябва да се вземат предвид и периодите, в които уредът е изключен или работи, но не е в реална експлоатация. Това може значително да намали натоварването от трептения през целия период на експлоатация. Определете допълнителни мерки за безопасност с цел защита на работещия срещу въздействието на звука и/или вибрациите, като например: поддръжка на електроинструмент и сменяеми инструменти, поддръжане на топли ръце, организация на работните процеси.

#### Стойности на шумовите емисии, измерени съгласно EN 60745

Ниво на звукова мощност ( $L_{WA}$ )	103 дБ(A)
Отклонение при ниво на звукова мощност ( $K_{WA}$ )	3 дБ(A)
Емисионно ниво на звуково налягане ( $L_{pA}$ )	92 дБ(A)
Отклонение при ниво на звуково налягане ( $K_{pA}$ )	3 дБ(A)

#### Обща стойност на вибрациите (три посоки на векторната сума), измерена съгласно EN 60745

Ударно пробиване в бетон ( $a_{h, HD}$ )	15 $m/c^2$
Пробиване в метал ( $a_{h, D}$ )	2,5 $m/c^2$
Отклонение (K)	1,5 $m/c^2$

### 4.3 Акумулатор

Работно напрежение на акумулатора	21,6 В
Температура на околната среда при работа	-17 °C ... 60 °C
Температура на съхранение	-20 °C ... 40 °C
Температура на акумулатора в началото на зареждането	-10 °C ... 45 °C



## 5 Эксплоатация

### 5.1 Подготовка на работата

#### ПРЕДПАЗЛИВОСТ

**Опасност от нараняване поради неволно включване!**

- ▶ Преди поставянето на акумулатора се уверете, че съответният продукт е изключен.
- ▶ Отстранявайте акумулатора, преди да въвеждате настройки по уреда или да подменяте принадлежности.

Съблюдавайте указанията за безопасност и предупреждение в настоящата документация и върху продукта.

#### 5.1.1 Монтаж на странична ръкохватка

1. Завъртете дръжката, за да освободите държача (обтягащата лента) на страничната ръкохватка.
2. Плъзнете държача (обтягащата лента) отпред през патронника до предвидения за целта жлеб.
3. Позиционирайте страничната ръкохватка в желаното положение.
4. Завъртете дръжката, за да затегнете държача (обтягащата лента) на страничната ръкохватка.

#### 5.1.2 Поставяне на акумулатор

1. Поставете акумулатора в държача на уреда, докато се застопори с ясно щракване.
2. Контролирайте стабилното положение на акумулатора.

#### 5.1.3 Отстраняване на акумулатор

1. Натиснете бутоните за деблокиране на акумулатора.
2. Извадете акумулатора в посока назад.

#### 5.1.4 Поставяне на сменяем инструмент

1. Смажете леко опашката за захващане на сменяемия инструмент.
  - ▶ Използвайте само оригинална смазка на Hilti. Неправилната смазка може да причини повреди по уреда.
2. Плъхнете сменяемия инструмент докрай в патронника до ограничителя, докато се застопори.
3. След като поставите инструмента, дръпнете същия, за да проверите безопасното му застопоряване.
  - ▶ Продуктът е в готовност за работа.

#### 5.1.5 Изваждане на сменяем инструмент

#### ПРЕДУПРЕЖДЕНИЕ

**Опасност от нараняване** При експлоатация инструментът се нагорещява.

- ▶ При смяна на инструменти носете защитни ръкавици.
- 
- ▶ Издърпайте обратно до крайна позиция блокировката на инструмента и извадете сменяемия инструмент.

#### 5.1.6 Монтаж на дълбокомер (опционално)

1. Завъртете дръжката, за да освободите държача (обтягащата лента) на страничната ръкохватка.
2. Плъзнете дълбокомера отпред в предвидените за целта 2 направляващи отвора.
3. Завъртете дръжката, за да затегнете държача (обтягащата лента) на страничната ръкохватка.

### 5.2 Работа

#### ВНИМАНИЕ

**Опасност от повреда поради погрешно боравене!**

- ▶ По време на експлоатация не задействайте бутона за посока на въртене и/или избор на функции.

Съблюдавайте указанията за безопасност и предупреждение в настоящата документация и върху продукта.



### 5.2.1 Осветление на работното място

---



Светодиодът се активира автоматично при задействане на командния ключ. След освобождаване на командния ключ светодиодът бавно изгасва.

---

- ▶ Натиснете командния ключ.

### 5.2.2 Посока на въртене

- ▶ Настройте посоката на въртене.
  - ▶ Превключвателят се застопорява в това положение.

### 5.2.3 Безударно пробиване

- ▶ Поставете превключвателя за избор на функции върху този символ:  .

### 5.2.4 Пробиване с удар

- ▶ Поставете превключвателя за избор на функции върху този символ:  .

## 6 Обслужване и поддръжка

---

### 6.1 Обслужване и поддръжка



#### **ПРЕДУПРЕЖДЕНИЕ**

**Опасност от нараняване при поставен акумулатор !**

- ▶ Винаги изваждайте акумулатора преди всяка дейност по обслужване и поддръжка!
- 

#### Грижи за уреда

- Отстранявайте внимателно напластените замърсявания.
- Почиствайте внимателно вентилационните отвори със суха четка.
- Почиствайте корпуса само с леко навлажнена кърпа. Не използвайте препарати за почистване със силикон, тъй като те могат да увредят пластмасовите части.

#### Грижи за литиево-йонни акумулатори

- Поддържайте акумулатора почистен от масла и смазки.
- Почиствайте корпуса само с леко навлажнена кърпа. Не използвайте препарати за почистване със силикон, тъй като те могат да увредят пластмасовите части.
- Не допускате проникване на влага.

#### Поддръжка

- Редовно проверявайте всички видими части за наличие на повреди, а елементите за управление - за изправно функциониране.
  - Не работете с продукта при наличие на повреди и/или смущения във функциите. Незабавно предавайте уреда в сервиз на **Hilti** за ремонт.
  - След извършване на дейности по обслужване и поддръжка монтирайте всички защитни устройства и проверете функциите.
- 



За безопасна работа използвайте само оригинални резервни части и консумативи. Разрешените от нас резервни части, консумативи и принадлежности за Вашия продукт ще намерите във Вашия **Hilti Store** или на: **www.hilti.group**.

---

### 6.2 Почистване на прахозащитната капачка

- ▶ Почиствайте редовно прахозащитната капачка на патронника с чиста и суха кърпа.
- ▶ Забърсвайте внимателно уплътнението и го смазвайте леко отново със смазка на **Hilti**.
- ▶ Ако уплътнението е повредено, на всяка цена подменете прахозащитната капачка.





## 7 Транспорт и съхранение

### 7.1 Транспорт и съхранение на акумулаторни уреди

#### Транспорт

##### ПРЕДПАЗЛИВОСТ

#### Неволно включване при транспортиране !

- ▶ Винаги транспортирайте Вашите продукти без поставени акумулатори!
- ▶ Извадете акумулатора.
- ▶ Не транспортирайте акумулаторите в насипно състояние.
- ▶ След продължително транспортиране преди употреба проверявайте уреда и акумулаторите за наличие на повреди.

#### Съхранение

##### ПРЕДПАЗЛИВОСТ

#### Неволна повреда, дължаща се на дефектни или изтичащи акумулатори !

- ▶ Винаги съхранявайте Вашите продукти без поставени акумулатори!
- ▶ Съхранявайте уреда и акумулаторите по възможност на сухо и прохладно място.
- ▶ Никога не съхранявайте акумулаторите на слънце, върху отоплителни уреди или зад стъкла на прозорци.
- ▶ Съхранявайте уреда и акумулаторите далеч от достъпа на деца и неоторизирани лица.
- ▶ След продължително съхранение преди употреба проверявайте уреда и акумулаторите за наличие на повреди.

## 8 Локализиране на повреди

### 8.1 Помощ при наличие на смущения

При наличие на смущения, които не са посочени в таблицата или които Вие сами не можете да отстраните, моля, обърнете се към нашия сервиз на **Hilti**.

### 8.2 Ударно-пробивната машина не е в готовност за работа

Смущение	Възможна причина	Решение
Ударно-пробивната машина не се включва.	Ударно-пробивната машина е претоварена.	▶ Изключете ударно-пробивната машина, извадете акумулатора и повече не използвайте ударно-пробивната машина.
Светодиодите не дават индикация.	Акумулаторът не е сменен изцяло.	▶ Застопорете акумулатора с двойно щракване.
	Разреждане на акумулатор.	▶ Сменете акумулатора и заредете изтощения акумулатор.
1 светодиод мига.	Акумулаторът е твърде горещ или твърде студен.	▶ Темперирайте акумулатора до препоръчаната работна температура.
	Разреждане на акумулатор.	▶ Сменете акумулатора и заредете изтощения акумулатор.
4 светодиода мигат.	Акумулаторът е твърде горещ или твърде студен.	▶ Темперирайте акумулатора до препоръчаната работна температура.
	Ударно-пробивната машина търпи кратковременно претоварване.	▶ Освободете командния ключ и го задействайте отново.
	Защита от прегряване.	▶ Оставете ударно-пробивната машина да се охлади и почистете вентилационния отвор.



### 8.3 Ударно-пробивната машина е в готовност за работа

Смущение	Възможна причина	Решение
Няма удар.	Ударно-пробивната машина е твърде гореща.	▶ Поставете ударно-пробивната машина върху основата и я оставете да работи на празен ход. При нужда повторете действието, докато ударният механизъм сработи.
	Превключвателят за избор на функции е на позиция "Безударно пробиване" .	▶ Поставете превключвателя за избор на функции на позиция "Ударно пробиване" .
Командният ключ не може да се натисне, респ. е блокиран.	Ключ дясно/ляво въртене е в средно положение.	▶ Натиснете ключа дясно/ляво въртене в посока надясно или наляво.
Шпинделът на уреда не се върти.	Превишена е допустимата температура в работен режим на електрониката на ударно-пробивната машина.	▶ Оставете ударно-пробивната машина да се охлади.
	Разреждане на акумулатор.	▶ Сменете акумулатора и заредете изтощения акумулатор.
Ударно-пробивната машина се изключва автоматично.	Защитата срещу претоварване се задейства.	▶ Освободете командния ключ. Оставете ударно-пробивната машина да се охлади. Задействайте отново командния ключ. Намалете натоварването на уреда.
Акумулаторът се изтощава по-бързо от обикновено.	Състоянието на акумулатора не е оптимално.	▶ Освежете акумулатора.
Акумулаторът не се зарежда с ясно "двойно щракване".	Фиксиращите планки на акумулатора са замърсени.	▶ Почистете фиксиращите планки и поставете отново акумулатора.
Силно нагорещаване на ударно-пробивната машина или акумулатора.	Електрическа повреда	▶ Изключете незабавно ударно-пробивната машина. Отстранете акумулатора и го наблюдавайте. Оставете го да се охлади. Свържете се със сервиз на <b>Hilti</b> .
	Ударно-пробивната машина е претоварена (премината граница на приложение).	▶ Изберете подходящия за приложение уред.
Инструментът не може да се извади от фиксатора.	Патронникът не е издърпан докрай.	▶ Издърпайте блокировката на инструмента докрай до ограничителя и извадете инструмента.
Инструментът не се сваля.	Ударно-пробивната машина е включена в позиция въртене наляво.	▶ Поставете ключа дясно/ляво въртене на позиция въртене надясно.

## 9 Третиране на отпадъци

Уредите на **Hilti** са произведени в по-голямата си част от материали за многократна употреба. Предпоставка за многократното им използване е тяхното правилно разделяне. В много страни фирмата **Hilti** изкупува обратно Вашите употребявани уреди. Попитайте отдела на **Hilti** за обслужване на клиенти или Вашия търговски представител.



- ▶ Не изхвърляйте електроинструменти, електронни устройства и акумулатори в битовите отпадъци!



## 10 Гаранция на производителя

- ▶ При въпроси относно гаранционните условия, моля, обърнете се към Вашия партньор на Hilti по места.

# Manual de utilizare original

## 1 Date privind documentația

### 1.1 Referitor la această documentație

- Înainte de punerea în funcțiune, citiți complet această documentație. Aceasta este condiția necesară pentru un lucru în siguranță și pentru o manevrare fără defecțiuni.
- Aveți în vedere indicațiile de securitate și de avertizare din această documentație și de pe produs.
- Păstrați întotdeauna manualul de utilizare în preajma produsului și predați-l altor persoane numai împreună cu aceste manual.

### 1.2 Explicarea simbolurilor

#### 1.2.1 Indicații de avertizare

Indicațiile de avertizare avertizează împotriva pericolelor care apar în lucrul cu produsul. Sunt utilizate următoarele cuvinte-semnal:

#### PERICOL

##### PERICOL !

- ▶ Pentru un pericol iminent și direct, care duce la vătămări corporale sau la accidente mortale.

#### ATENȚIONARE

##### ATENȚIONARE !

- ▶ Pentru un pericol iminent și posibil, care poate duce la vătămări corporale sau la accidente mortale.





#### AVERTISMENT

##### AVERTISMENT !

- ▶ Pentru situații care pot fi periculoase și pot provoca răniri ușoare sau pagube materiale.




#### 1.2.2 Simboluri în documentație

În această documentație sunt utilizate următoarele simboluri:

	Citiți manualul de utilizare înainte de folosire
	Indicații de folosire și alte informații utile
	Lucrul cu materiale reutilizabile
	Nu aruncați aparatele electrice și acumulatorii în containerele de gunoi menajer

#### 1.2.3 Simboluri în imagini

Următoarele simboluri sunt utilizate în imagini:

	Aceste numere fac trimitere la imaginea respectivă de la începutul acestor instrucțiuni
	Numerotarea reflectă ordinea etapelor de lucru în imagine și poate să difere de etapele de lucru din text
	Numererele pozițiilor sunt utilizate în figura <b>Vedere generală</b> și fac trimitere la numerele din legendă în paragraful <b>Vedere generală a produsului</b>





Acest semn are rolul de a stimula o atenție deosebită din partea dumneavoastră în lucrul cu produsul.

### 1.3 Simboluri în funcție de produs

#### 1.3.1 Simboluri pe produs

Pe produs pot fi utilizate următoarele simboluri:

	Găurire fără percuție
	Găurire cu percuție (perforare cu ciocanul)
	Rotația spre dreapta/stânga
$n_0$	Turația nominală de mers în gol
/min	Rotații pe minut
	Curent continuu
Li-Ion	Acumulator Li-Ion
	Seria de tip a acumulatorului Li-Ion <b>Hilti</b> utilizat. Rugăm aveți în vedere datele din capitolul <b>Utilizarea conformă cu destinația</b> .
	Nu folosiți niciodată acumulatorul ca unealtă percutoare.
	Nu lăsați acumulatorul să cadă. Nu utilizați niciun acumulator care a suferit o lovitură sau este deteriorat într-un alt mod.
	Aparatul este compatibil cu tehnologia NFC, care este compatibilă la rândul ei cu platformele iOS și Android.

### 1.4 Informații despre produs

Produsele sunt destinate utilizatorilor profesioniști, iar operarea cu acestea, întreținerea și repararea lor sunt activități permise numai personalului autorizat și instruit. Acest personal trebuie să fie instruit în mod special cu privire la potențialele pericole. Produsul și mijloacele sale auxiliare pot genera pericole dacă sunt utilizate necorespunzător sau folosite inadecvat destinației de către personal neinstruit. Indicativul de model și numărul de serie sunt indicate pe plăcuța de identificare.

- ▶ Transcrieți numărul de serie în tabelul următor. Datele despre produs vă sunt necesare în cazul solicitărilor de informații la reprezentanța noastră sau la centrul de service.

#### Date despre produs

Tip:	TE 2-A22
Generația:	02
Număr de serie:	

### 1.5 Declarație de conformitate

Declarăm pe propria răspundere că produsul descris aici este conform cu directivele și normele în vigoare. O imagine a declarației de conformitate găsiți la finalul acestei documentații.

Documentațiile tehnice sunt stocate aici:

Hilti Entwicklungsgesellschaft mbH | Zulassung Geräte | Hiltistraße 6 | 86916 Kaufering, DE

## 2 Securitate

### 2.1 Instrucțiuni de ordin general privind securitatea și protecția muncii pentru sculele electrice

**ATENȚIONARE! Citiți toate instrucțiunile de protecție a muncii și instrucțiunile de lucru.** Neglijențele în respectarea instrucțiunilor de protecție a muncii și a instrucțiunilor de lucru pot provoca electrocutări, incendii și/sau accidentări grave.



Păstrați toate instrucțiunile de protecție a muncii și instrucțiunile de lucru pentru consultare în viitor.

### Securitatea în locul de muncă

- ▶ **Mențineți curățenia și un iluminat bun în zona de lucru.** Dezordinea sau iluminatul insuficient în zona de lucru pot constitui surse de accidente.
- ▶ **Nu lucrați cu scula electrică în medii cu pericol de explozie, în care sunt prezente lichide, gaze sau pulberi inflamabile.** Sculele electrice generează scântei care pot aprinde pulberile sau vaporii.
- ▶ **Nu permiteți accesul copiilor și al altor persoane în zona de lucru pe parcursul utilizării sculei electrice.** În cazul distragerii atenției, puteți pierde controlul asupra mașinii.

### Securitatea electrică

- ▶ **Evitați contactul corpului cu suprafețele legate la pământ, cum ar fi țevi, sisteme de încălzire, sobe și frigider.** Există un risc major de electrocutare atunci când corpul se află în contact cu obiecte legate la pământ.
- ▶ **Ferți sculele electrice de influența ploii și umidității.** Pătrunderea apei în scula electrică crește riscul de electrocutare.

### Securitatea persoanelor

- ▶ **Procedați cu atenție, concentrați-vă la ceea ce faceți și lucrați în mod rațional atunci când manevrați o sculă electrică. Nu folosiți nicio sculă electrică dacă sunteți obosit sau vă aflați sub influența drogurilor, alcoolului sau medicamentelor.** Un moment de neatenție în folosirea sculei electrice poate duce la accidentări serioase.
- ▶ **Purtați echipament personal de protecție și, întotdeauna, ochelari de protecție.** Folosirea echipamentelor personale de protecție, ca de ex. masca anti-praf, încălțăminta antiderapantă, casca de protecție sau căștile antifonice, în funcție de tipul sculei electrice și de natura aplicației de lucru, duce la diminuarea riscului de accidentare.
- ▶ **Împiedicați pornirea involuntară a mașinii. Asigurați-vă că scula electrică este deconectată, înainte de a o racorda la acumulator, de a o lua din locul de lucru sau de a o transporta.** Situațiile în care transportați scula electrică ținând degetul pe întrerupător sau racordați mașina în stare pornită la alimentarea electrică pot duce la accidente.
- ▶ **Înainte de a porni scula electrică, îndepărtați uneltele de reglaj sau cheile fixe.** Un accesoriu de lucru sau o cheie fixă, aflate într-o componentă rotativă a mașinii, pot provoca vătămări corporale.
- ▶ **Evitați o poziție anormală a corpului. Asigurați-vă o poziție stabilă și păstrați-vă întotdeauna echilibrul.** În acest fel, veți putea controla mai bine scula electrică în situații neașteptate.
- ▶ **Purtați îmbrăcăminte de lucru adecvată. Nu purtați haine largi sau bijuterii. Țineți părul, îmbrăcăminta și mâinile departe de componentele aflate în mișcare.** Îmbrăcăminta largă, bijuteriile sau părul lung pot fi prinse de piesele aflate în mișcare.
- ▶ **Dacă există posibilitatea montării unor accesorii de aspirare și capture a prafului, asigurați-vă că acestea sunt racordate și folosite corect.** Utilizarea unui sistem de aspirare a prafului poate diminua pericolul provocat de praf.

### Utilizarea și manevrarea sculei electrice

- ▶ **Nu suprasolicitați mașina. Folosiți scula electrică special destinată lucrării dumneavoastră.** Cu scula electrică adecvată, lucrați mai bine și mai sigur în domeniul de putere specificat.
- ▶ **Nu folosiți nicio sculă electrică având întrerupătorul defect.** O sculă electrică ce nu mai permite pornirea sau oprirea sa este periculoasă și trebuie reparată.
- ▶ **Înlăturați acumulatorul, înainte de executarea unor reglaje la mașină, de a schimba accesorii sau de a pune mașina de-o parte.** Această măsură de precauție reduce riscul unei porniri involuntare a sculei electrice.
- ▶ **Păstrați sculele electrice în locuri inaccesibile copiilor, atunci când nu le utilizați. Nu permiteți folosirea mașinii de către persoane care nu sunt familiarizate cu aceasta sau care nu au citit instrucțiunile de față.** Sculele electrice sunt periculoase atunci când sunt folosite de persoane fără experiență.
- ▶ **Îngrijiți cu atenție sculele electrice. Controlați funcționarea impecabilă a componentelor mobile și verificați dacă acestea nu se blochează, dacă există piese sparte sau care prezintă deteriorări de natură să influențeze negativ funcționarea sculei electrice. Dispuneți repararea pieselor deteriorate înainte de punerea în exploatare mașinii.** Multe accidente se produc din cauza întreținerii defectuoase a sculelor electrice.
- ▶ **Păstrați accesoriile așchietoare bine ascuțite și curate.** Accesoriile așchietoare întreținute atent, cu muchii așchietoare bine ascuțite se blochează mai greu și pot fi conduse mai ușor.
- ▶ **Utilizați scula electrică, accesoriile, dispozitivele de lucru etc. corespunzător acestor instrucțiuni. Țineți seama de condițiile de lucru și de activitatea care urmează a fi desfășurată.** Folosirea unor scule electrice destinate altor aplicații de lucru decât cele prevăzute poate conduce la situații periculoase.



**Utilizarea și manevrarea sculei cu acumulatori**

- ▶ **Încărcați acumulatorii numai în redresoarele recomandate de producător.** Pentru un redresor adecvat unui anumit tip de acumulatori, apare pericolul de incendiu dacă acesta este utilizat cu alți acumulatori.
- ▶ **Utilizați numai acumulatorii prevăzuți special pentru sculele electrice.** Folosirea altor acumulatori poate duce la accidentări și poate provoca pericol de incendiu.
- ▶ **Țineți acumulatorii nefolosiți la distanță de agrafele de birou, monede, chei, cuie, șuruburi sau alte obiecte metalice mici, care ar putea provoca scurtcircuitarea contactelor.** Un scurtcircuit între contactele acumulatorului poate avea ca urmări arsuri sau incendii.
- ▶ **La folosirea în mod eronat, este posibilă eliminarea de lichid din acumulatori. Evitați contactul cu acesta.** Lichidul ieșit din acumulatori poate provoca iritații ale pielii sau arsuri. În cazul contactului accidental, spălați cu apă. Dacă lichidul ajunge în ochi, solicitați suplimentar asistență medicală.

**Service**

- ▶ **Încredințați repararea sculei electrice a dumneavoastră numai personalului calificat de specialitate și numai în condițiile folosirii pieselor de schimb originale.** În acest fel, este garantată menținerea siguranței de exploatare a sculei electrice.

**2.2 Instrucțiuni suplimentare de protecție a muncii pentru mașina de perforat rotopercutantă****Securitatea persoanelor**

- ▶ Folosiți produsul numai în stare tehnică impecabilă.
- ▶ Nu efectuați niciodată intervenții neautorizate sau modificări la mașină.
- ▶ Folosiți mânerele suplimentare livrate cu mașina. Pierderea controlului poate duce la accidentări.
- ▶ La execuția lucrărilor de străpungere, asigurați zona de pe partea opusă lucrării. Fragmentele demolate pot ieși și / sau cădea și pot vătăma alte persoane.
- ▶ Țineți întotdeauna ferm mașina cu ambele mâini de mânerele special prevăzute. Țineți mânerele uscate și curate.
- ▶ Țineți mașina de suprafețele izolate ale mânerelor, când executați lucrări în care dispozitivul de lucru poate întâlni conductori electrici ascunși. Contactul cu un conductor parcurs de curent poate pune sub tensiune și piesele metalice ale mașinii și poate duce la electrocutări.
- ▶ Evitați atingerea pieselor în rotație - pericol de accidentare!
- ▶ Pe parcursul utilizării mașinii, purtați ochelari de protecție, cască de protecție, căști antifonice, mănuși de protecție și o mască ușoară de protecție respiratorie adecvate.
- ▶ Purtați mănuși de protecție și la schimbarea accesoriilor de lucru. Atingerea dispozitivului de lucru poate duce la vătămări prin tăiere și arsuri.
- ▶ Utilizați o apărătoare pentru ochi. Materialul sub formă de așchii poate produce vătămări ale corpului și ochilor.
- ▶ Înainte de începerea lucrului stabiliți clasa de pericolozitate a materialului pulverulent care se formează în timpul lucrărilor. Utilizați un aspirator de praf industrial cu clasificare a clasei de protecție avizată oficial, care corespunde dispozițiilor locale cu privire la protecția împotriva prafului. Pulberea materialelor cum ar fi vopselele care conțin plumb, unele tipuri de lemn, betonul / zidăria / piatra care conține cuarț și minerale, precum și metale pot dăuna sănătății.
- ▶ Asigurați o aerisire bună a locului de muncă și purtați, dacă este cazul, o mască de protecție a respirației, adecvată pentru praful respectiv. Atingerea sau inhalarea pulberii poate provoca reacții alergice și/ sau afecțiuni ale căilor respiratorii ale utilizatorului sau ale persoanelor aflate în apropiere. Anumite categorii de pulbere cum ar fi praful din lemn de stejar sau de fag sunt considerate drept cancerigene, în special în combinație cu substanțele suplimentare pentru tratarea lemnului (cromați, substanțe de protecție a lemnului). Manevrarea materialului care conține azbest este permisă numai persoanelor cu pregătire de specialitate.
- ▶ Faceți pauze de lucru și exerciții pentru îmbunătățirea circulației sanguine în degetele dumneavoastră. În cazul lucrărilor lungi, din cauza vibrațiilor sunt posibile tulburări la nivelul vaselor sanguine sau al sistemului nervos în degete, mâini sau articulațiile mâinilor.

**Securitatea electrică**

- ▶ Verificați înainte de începerea lucrului dacă în zona de lucru există conductori electrici, conducte de gaz și țevi de apă acoperite. Piesele metalice de pe exteriorul mașinii pot cauza o electrocutare dacă deteriorați accidental un conductor electric.

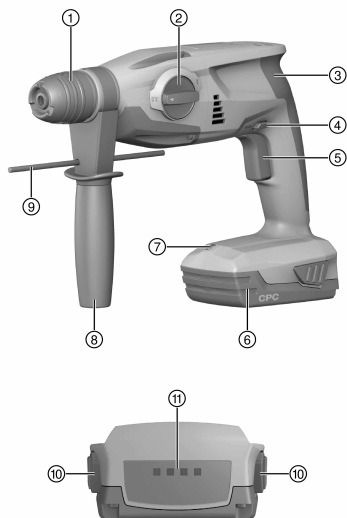
**Manevrarea și folosirea cu precauție a sculelor electrice**

- ▶ Deconectați scula electrică imediat ce accesoriul de lucru s-a blocat. Mașina poate devia în lateral.
- ▶ Așteptați până când scula electrică a ajuns în stare de repaus, înainte de a o depune.



### 3 Descriere

#### 3.1 Vedere generală a produsului



- ① Mandrina TE-C Click
  - ② Selector de funcții
  - ③ Mâner
  - ④ Inversor pentru rotație dreapta/ stânga cu siguranță împotriva conectării
  - ⑤ Comutator de comandă
  - ⑥ Acumulator
  - ⑦ Lampă pentru iluminarea spațiului de lucru
  - ⑧ Mâner lateral
  - ⑨ Limitator de adâncime
  - ⑩ Taste pentru deblocare cu funcția auxiliară
  - ⑪ Activarea indicatorului stării de încărcare
- Indicatorul stării de încărcare a acumulatorului

#### 3.2 Utilizarea conformă cu destinația

Produsul descris este o mașină de perforat rotopercutantă cu alimentare de la acumulatori. El este destinat găuririi în oțel, lemn și zidărie, găuririi cu percuție în beton și zidărie și introducerii prin rotație și desfacerii de șuruburi.

- Utilizați pentru acest produs numai acumulatori Li-Ion **Hilti** din seria de tip B 22.
- Utilizați pentru acești acumulatori numai redresoare avizate de **Hilti**. Informații suplimentare găsiți la centrul dumneavoastră **Hilti Store** sau la: [www.hilti.group](http://www.hilti.group)

#### 3.3 Indicatorul acumulatorului Li-Ion

La folosirea acumulatorului Li-Ion, starea de încărcare poate fi indicată prin atingerea uneia dintre tastele pentru deblocare.

Starea	Semnificație
4 LED-uri aprinse.	Starea de încărcare: 75 % până la 100 %
3 LED-uri aprinse.	Starea de încărcare: 50 % până la 75 %
2 LED-uri aprinse.	Starea de încărcare: 25 % până la 50 %
1 LED aprins.	Starea de încărcare: 10 % până la 25 %
1 LED se aprinde intermitent.	Starea de încărcare: < 10 %

Pe parcursul lucrului și în intervalul imediat următor, apelarea stării de încărcare nu este posibilă. Dacă LED-urile indicatorului stării de încărcare a acumulatorului se aprind intermitent, vă rugăm să consultați indicațiile din capitolul Identificarea defecțiunilor.



### 3.4 Setul de livrare

Mașină de perforat rotopercutantă, mâner lateral, limitator de adâncime, manual de utilizare.

Modulul antipraf TE DRS-S este oferit ca accesoriu pentru lucrări cu producere redusă de praf.

Alte produse din sistem, avizate pentru produsul dumneavoastră, găsiți la centrul dumneavoastră **Hilti Store** sau la: [www.hilti.group](http://www.hilti.group)

## 4 Date tehnice

### 4.1 Mașina de perforat rotopercutantă

	<b>TE 2-A22</b>
<b>Tensiunea nominală</b>	21,6 V
<b>Greutate conform EPTA Procedure 01 inclusiv acumulator B228.0</b>	3,3 kg
<b>Domeniul de găurire în beton/ zid (găurire cu percuție)</b>	4 mm ... 16 mm
<b>Domeniul de găurire în metal (găurire cu secțiune plină)</b>	0 mm ... 10 mm
<b>Lungime maximă limitator de adâncime</b>	180 mm

### 4.2 Datele privind zgomotul și valorile vibrațiilor

Valorile presiunii acustice și ale vibrațiilor indicate în aceste instrucțiuni au fost măsurate corespunzător unui procedeu standardizat de măsură și pot fi utilizate pentru compararea reciprocă a sculelor electrice. Ele sunt adecvate și pentru o apreciere provizorie a valorilor de expunere. Datele indicate se referă la aplicațiile principale de lucru ale sculei electrice. Firește că, dacă scula electrică este utilizată pentru alte aplicații de lucru cu dispozitive de lucru neprevăzute sau cu o întreținere insuficientă, datele pot să difere. Acest lucru poate ridica în mod considerabil valorile de expunere pe întreaga durată de lucru. Pentru o apreciere exactă a valorilor de expunere, trebuie să se ia în calcul și timpii în care mașina este deconectată sau în care ea funcționează, dar nu execută efectiv nicio activitate. Acest lucru poate reduce în mod considerabil valorile de expunere pe întreaga durată de lucru. Stabiliți măsuri de securitate suplimentare pentru protecția operatorului față de efectele sonore și ale vibrațiilor, ca de exemplu: întreținerea sculei electrice și a dispozitivelor de lucru, menținerea mâinilor în stare caldă, organizarea proceselor de lucru.

#### Valorile emisiei de zgomot determinate corespunzător EN 60745

<b>Nivelul puterii acustice (<math>L_{WA}</math>)</b>	103 dB(A)
<b>Insecuritatea pentru nivelul puterii acustice (<math>K_{WA}</math>)</b>	3 dB(A)
<b>Nivelul presiunii acustice emise (<math>L_{pA}</math>)</b>	92 dB(A)
<b>Insecuritatea pentru nivelul presiunii acustice (<math>K_{pA}</math>)</b>	3 dB(A)

#### Valori totale ale vibrațiilor (suma vectorială pe trei direcții), determinate conform EN 60745

<b>Găurire cu percuție în beton (<math>a_{h, HD}</math>)</b>	15 m/s <sup>2</sup>
<b>Găurire în metal (<math>a_{h, D}</math>)</b>	2,5 m/s <sup>2</sup>
<b>Insecuritatea (K)</b>	1,5 m/s <sup>2</sup>

### 4.3 Acumulator

<b>Tensiunea de lucru a acumulatorului</b>	21,6 V
<b>Temperatura ambiantă în timpul funcționării</b>	-17 °C ... 60 °C
<b>Temperatura de depozitare</b>	-20 °C ... 40 °C
<b>Temperatura acumulatorului la începutul încărcării</b>	-10 °C ... 45 °C





## 5 Modul de utilizare

### 5.1 Pregătirea lucrului

#### AVERTISMENT

##### **Pericol de accidentare Prin pornirea involuntară!**

- ▶ Înainte de introducerea acumulatorului, asigurați-vă că produsul aferent este deconectat.
- ▶ Înlăturați acumulatorul înainte de a realiza reglaje la mașină sau de a schimba accesorii.

Aveți în vedere indicațiile de securitate și de avertizare din această documentație și de pe produs.

#### 5.1.1 Montarea mânerului lateral

1. Rotiți de mâner, pentru a desface suportul de susținere (banda de întindere) de la mânerul lateral.
2. Introduceți prin glisare suportul de susținere (banda de întindere) din față peste mandrină, până la canelura prevăzută special.
3. Poziționați mânerul lateral în poziția dorită.
4. Rotiți de mâner, pentru a tensiona suportul de susținere (banda de întindere) de la mânerul lateral.

#### 5.1.2 Introducerea acumulatorului

1. Introduceți acumulatorul în suportul mașinii, până când acesta se înclichetează cu zgomotul caracteristic.
2. Controlați stabilitatea acumulatorului.

#### 5.1.3 Îndepărtarea acumulatorului

1. Apăsați tastele de deblocare a acumulatorului.
2. Trageți acumulatorul afară spre spate.

#### 5.1.4 Introducerea dispozitivului de lucru

1. Gresăți cu puțină unsoare coada de fixare a dispozitivului de lucru.
  - ▶ Utilizați numai unsoare originală de la Hilti. Un unsoare greșită poate cauza deteriorări la mașină.
2. Introduceți dispozitivul de lucru până la opritor în mandrină și lăsați-l să se cupleze.
3. După introducere, verificați închiderea sigură prin tragere de accesoriul de lucru.
  - ▶ Produsul este pregătit de funcționare.

#### 5.1.5 Extragerea dispozitivului de lucru

#### ATENȚIONARE

##### **Pericol de accidentare** Accesoriul de lucru devine fierbinte în utilizare.

- ▶ Purtați mănuși de protecție la schimbarea accesoriilor de lucru.
- ▶ Trageți înapoi închizătorul mandrinei până la opritor și extrageți dispozitivul de lucru.

#### 5.1.6 Montarea limitatorului de adâncime (opțional)

1. Rotiți de mâner, pentru a desface suportul de susținere (banda de întindere) de la mânerul lateral.
2. Introduceți prin glisare limitatorul de adâncime din față în cele două 2 orificii de ghidaj prevăzute special.
3. Rotiți de mâner, pentru a tensiona suportul de susținere (banda de întindere) de la mânerul lateral.

### 5.2 Lucrări

#### ATENȚIE

##### **Pericol de deteriorare Prin manevrare greșită!**

- ▶ Nu acționați comutatorul pentru sensul de rotație și/ sau selecția unei funcții pe parcursul funcționării.

Aveți în vedere indicațiile de securitate și de avertizare din această documentație și de pe produs.

#### 5.2.1 Iluminarea locului de muncă



LED-ul este activat automat la acționarea comutatorului de comandă. După eliberarea comutatorului de comandă, LED-ul se stinge lent.




- ▶ Apăsăți comutatorul de comandă.


### 5.2.2 Sens de rotație

- ▶ Reglați sensul de rotație.
  - ▶ Comutatorul se fixează în această poziție.

### 5.2.3 Găurire fără percuție

- ▶ Fixați selectorul de funcții pe acest simbol: .

### 5.2.4 Găurire cu percuție

- ▶ Fixați selectorul de funcții pe acest simbol: .

## 6 Îngrijirea și întreținerea

### 6.1 Îngrijirea și întreținerea



#### ATENȚIONARE

**Pericol de accidentare când acumulatorul este introdus !**

- ▶ Înaintea tuturor lucrărilor de îngrijire și întreținere, extrageți întotdeauna acumulatorul!

#### Îngrijirea aparatului

- Îndepărtați cu precauție murdăria aderentă.
- Curățați fantele de aerisire cu multă atenție, folosind o perie uscată.
- Curățați carcasa numai cu o cârpă ușor umezită. Nu utilizați produse de îngrijire care conțin silicon, deoarece acestea pot ataca piesele din plastic.

#### Îngrijirea acumulatorilor Li-Ion

- Păstrați acumulatorul curat și fără urme de ulei și unsoare.
- Curățați carcasa numai cu o cârpă ușor umezită. Nu utilizați produse de îngrijire care conțin silicon, deoarece acestea pot ataca piesele din plastic.
- Evitați pătrunderea umidității.

#### Întreținerea

- Verificați regulat la toate piesele vizibile dacă există deteriorări și funcționare impecabilă a elementelor de comandă.
- În caz de deteriorări și/ sau disfuncționalități, nu puneți produsul în exploatare. Dispuneți imediat repararea la centrul de service **Hilti**.
- După lucrările de îngrijire și întreținere atașați toate dispozitivele de protecție și verificați funcționarea.



Pentru o exploatare sigură utilizați numai piese de schimb și materiale consumabile originale. Piese de schimb, materiale consumabile și accesorii avizate de noi pentru produs găsiți la centrul dumneavoastră **Hilti Store** sau la: [www.hilti.group](http://www.hilti.group).

### 6.2 Curățarea căpăcelului de protecție anti-praf

- ▶ Curățați regulat căpăcelul de protecție anti-praf de la mandrină cu o cârpă curată și uscată.
- ▶ Curățați gulerul de etanșare prin ștergere atentă și ungeți-l din nou cu puțină unsoare **Hilti**.
- ▶ Înlocuiți neapărat căpăcelul de protecție anti-praf dacă gulerul de etanșare este deteriorat.

## 7 Transportul și depozitarea

### 7.1 Transportul și depozitarea aparatelor cu acumulatori

#### Transportul



#### AVERTISMENT

**Pornire involuntară la transport !**

- ▶ Transportați întotdeauna produsele dumneavoastră fără acumulatori introduși!
- ▶ Extrageți acumulatorii.



- ▶ Nu transportați niciodată acumulatorii în stare vrac.
- ▶ După un transport mai îndelungat, controlați înainte de folosire dacă mașina și acumulatorii prezintă deteriorări.

## Depozitarea

### AVERTISMENT

#### Deteriorare involuntară cauzată de acumulatori defecți sau din care iese lichid !

- ▶ Depozitați întotdeauna produsele dumneavoastră fără acumulatori introduși!
- ▶ Depozitați mașina și acumulatorii pe cât posibil în spații răcoase și uscate.
- ▶ Nu depozitați niciodată acumulatorii în soare, pe sisteme de încălzire sau în spatele geamurilor de sticlă.
- ▶ Depozitați mașina și acumulatorii în spații inaccesibile pentru copii și persoane neautorizate.
- ▶ După o depozitare mai îndelungată, controlați înainte de folosire dacă mașina și acumulatorii prezintă deteriorări.

## 8 Identificarea defecțiunilor

### 8.1 Asistență în caz de avarii

În cazul avariilor care nu sunt prezentate în acest tabel sau pe care nu le puteți remedia prin mijloace proprii, vă rugăm să vă adresați centrul nostru de service **Hilti**.

### 8.2 Mașina de perforat rotopercutantă nu este funcțională

Avarie	Cauza posibilă	Soluție
Mașina de perforat rotopercutantă nu pornește.	Mașina de perforat rotopercutantă suprasolicitată.	▶ Deconectați mașina de perforat rotopercutantă, înlăturați acumulatorul și nu mai folosiți mașina de perforat rotopercutantă.
LED-urile nu indică nimic.	Acumulatorul nu este complet introdus.	▶ Fixați acumulatorul cu un dublu clic.
	Acumulatorul descărcat.	▶ Schimbați acumulatorul și încărcați acumulatorul gol.
	Acumulatorul prea fierbinte sau prea rece.	▶ Aduceți acumulatorul la temperatura de lucru recomandată.
1 LED se aprinde intermitent.	Acumulatorul descărcat.	▶ Schimbați acumulatorul și încărcați acumulatorul gol.
	Acumulatorul prea fierbinte sau prea rece.	▶ Aduceți acumulatorul la temperatura de lucru recomandată.
4 LED-uri se aprind intermitent.	Mașina de perforat rotopercutantă suprasolicitată pe o durată scurtă.	▶ Eliberați comutatorul de comandă și acționați-l din nou.
	Protecția la supraîncălzire.	▶ Lăsați mașina de perforat rotopercutantă să se răcească și curățați fantele de aerisire.

### 8.3 Mașina de perforat rotopercutantă este funcțională

Avarie	Cauza posibilă	Soluție
Lipsa percuției.	Mașina de perforat rotopercutantă prea rece.	▶ Așezați mașina de perforat rotopercutantă pe materialul de bază și lăsați-o să ruleze în regim de mers în gol. Dacă este necesar repetați, până când mecanismul de percuție funcționează.
	Selectorul de funcții pe "Găurire fără percuție"	▶ Fixați selectorul de funcții pe "Găurire cu percuție" .



Avarie	Cauza posibilă	Soluție
Comutatorul de comandă nu permite apăsarea, respectiv este blocat.	Inversorul pentru rotație dreapta/stânga în poziție centrală.	▶ Apăsați inversorul pentru rotație dreapta/ stânga spre dreapta sau stânga.
Arborele principal al mașinii nu se rotește.	Temperatura de lucru admisă a blocului electronic al mașinii de perforat rotopercutante depășită.	▶ Lăsați mașina de perforat rotopercutantă să se răcească.
	Acumulatorul descărcat.	▶ Schimbați acumulatorul și încărcați acumulatorul gol.
Mașina de perforat rotopercutantă se deconectează automat.	Protecția la suprasarcină reacționează.	▶ Eliberați comutatorul de comandă. Lăsați mașina de perforat rotopercutantă să se răcească. Acționați din nou comutatorul de comandă. Reduceți sarcina asupra mașinii.
Acumulatorul se golește mai repede decât în mod obișnuit.	Starea acumulatorului nu este optimă.	▶ Înlocuiți acumulatorul.
Acumulatorul nu se fixează cu zgomotul caracteristic de "dublu clic".	Ciocurile de fixare de la acumulator murdărite.	▶ Curățați ciocurile de fixare și introduceți acumulatorul din nou.
Dezvoltare puternică de căldură în mașina de perforat rotopercutantă sau acumulator.	Defect electric	▶ Deconectați imediat mașina de perforat rotopercutantă. Extrageți acumulatorul și examinați-l. Lăsați-l să se răcească. Luați legătura cu centrul de service <b>Hilti</b> .
	Mașina de perforat rotopercutantă suprasolicitată (limita de aplicabilitate depășită).	▶ Alegeți o mașină adecvată pentru aplicația de lucru.
Accesorii de lucru nu se poate desprinde din închizător.	Mandrina nu este retractată complet.	▶ Trageți înapoi închizătorul mandrinei până la opritor și extrageți accesoriul de lucru.
Accesorii de lucru nu așchiază.	Mașina de perforat rotopercutantă fixat pe rotație spre stânga.	▶ Fixați inversorul pentru rotație dreapta/ stânga pe rotație spre dreapta.

## 9 Dezafectarea și evacuarea ca deșeuri

Mașinile **Hilti** sunt fabricate într-o proporție mare din materiale reutilizabile. Condiția necesară pentru reciclare este separarea corectă a materialelor. În multe țări, **Hilti** preia mașinile dumneavoastră vechi pentru revalorificare. Solicitați relații la centrul pentru clienți **Hilti** sau la consilierul dumneavoastră de vânzări.



- ▶ Nu aruncați sculele electrice, aparatele electronice și acumulatorii în containerele de gunoi menajer!

## 10 Garanția producătorului

- ▶ Pentru relații suplimentare referitoare la condițiile de garanție, vă rugăm să vă adresați partenerului dumneavoastră local **Hilti**.



# Orijinal kullanım kılavuzu

## 1 Dokümantasyon verileri

### 1.1 Bu doküman için

- Çalıştırmadan önce bu dokümanı okuyunuz. Bu, güvenli çalışma ve arızasız kullanım için ön koşuldur.
- Bu dokümanda ve ürün üzerinde bulunan güvenlik ve uyarı bilgilerine dikkat ediniz.
- Kullanım kılavuzunu her zaman ürün üzerinde bulundurunuz ve ürünü sadece bu kılavuz ile birlikte başka kişilere veriniz.

### 1.2 Resim açıklaması

#### 1.2.1 Uyarı bilgileri

Uyarı bilgileri, ürün ile çalışırken ortaya çıkabilecek tehlikelere karşı uyarır. Aşağıdaki uyarı metinleri kullanılır:

#### TEHLİKE

##### TEHLİKE !

- ▶ Ağır vücut yaralanmalarına veya doğrudan ölüme sebep olabilecek tehlikeler için.

#### İKAZ

##### İKAZ !

- ▶ Ağır yaralanmalara veya ölüme neden olabilecek tehlikeler için.





#### DİKKAT

##### DİKKAT !

- ▶ Hafif vücut yaralanmalarına veya maddi hasarlara yol açabilecek olası tehlikeli durumlar için.


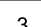


#### 1.2.2 Dokümandaki semboller

Bu dokümanda aşağıdaki semboller kullanılmıştır:

	Kullanmadan önce kullanım kılavuzunu okuyunuz
	Kullanım uyarıları ve diğer gerekli bilgiler
	Geri dönüşümlü malzemeler ile çalışma
	Elektrikli aletleri ve aküleri evdeki çöplere atmayınız

#### 1.2.3 Resimlerdeki semboller

Resimlerde aşağıdaki semboller kullanılmıştır:

	Bu sayılar, kılavuzun başlangıcındaki ilgili resimlere atanmıştır
	Numaralandırma, resimdeki çalışma adımlarının sırasını göstermektedir ve metindeki çalışma adımlarından farklı olabilir
	Pozisyon numaraları <b>Genel bakış</b> resminde kullanılır ve <b>Ürüne genel bakış</b> bölümündeki açıklama numaralarına referans niteliğindedir
	Bu işaret, ürün ile çalışırken dikkatinizi çekmek için koyulmuştur.








### 1.3 Ürüne bağlı semboller

#### 1.3.1 Üründeki semboller

Üründe aşağıdaki semboller kullanılabilir:

	Darbesiz delme
---	----------------



	Darbe ile delme (darbeli delme)
	Sağa/Sola doğru çalışma
$n_0$	Ölçüm rölanti devir sayısı
/min	Dakika başına devir
	Doğru akım
Li-Ion	Lityum İyon akü
	Kullanılan <b>Hilti</b> Lityum İyon akü tip serisi. <b>Usulüne uygun kullanım</b> bölümündeki bilgileri dikkate alınız.
	Aküyü asla darbe aleti olarak kullanmayınız.
	Aküyü düşürmeyiniz. Darbe almış veya hasar görmüş bir aküyü kullanmayınız.
	Alet, iOS ve Android platformları ile uyumlu NFC teknolojisini destekler.

## 1.4 Ürün bilgileri

**HILTI** ürünleri profesyonel kullanıcıların kullanımı için öngörülmüştür ve sadece yetkili personel tarafından kullanılabilir ve bakımı yapılabilir. Bu personel, meydana gelebilecek tehlikeler hakkında özel olarak eğitim görmüş olmalıdır. Aletin ve ilgili yardımcı gereçlerin eğitimsiz personel tarafından usulüne uygun olmayan şekilde kullanılması ve amaçları dışında çalıştırılması sonucu tehlikeli durumlar söz konusu olabilir. Tip tanımı ve seri numarası, tip plakası üzerinde belirtilmiştir.

- Seri numarasını aşağıdaki tabloya aktarınız. Ürün bilgileri acente veya servis merkezini aradığınızda sorulabilir.

### Ürün bilgileri

Tip:	TE 2-A22
Jenerasyon:	02
Seri no.:	

## 1.5 Uygunluk beyanı

Burada tanımlanan ürünün, geçerli yönetmeliklere ve normlara uygun olduğunu kendi sorumluluğumuzda beyan ederiz. Bu dokümantasyonun sonunda uygunluk beyanının bir kopyasını bulabilirsiniz.

Teknik dokümantasyonlar eklidir:

Hilti Entwicklungsgesellschaft mbH | Zulassung Geräte | Hiltstraße 6 | 86916 Kaufering, DE

## 2 Güvenlik

### 2.1 Elektrikli el aletleri için genel güvenlik uyarıları

**⚠ İKAZ!** Tüm güvenlik uyarılarını ve talimatlarını okuyunuz. Güvenlik uyarılarına ve talimatlara uyulmadıkça ihmallere elektrik çarpması, yanma ve/veya ağır yaralanmalar sebep olabilir.

Tüm güvenlik uyarılarını ve kullanım talimatlarını muhafaza ediniz.

#### İş yeri güvenliği

- **Çalışma alanınızı temiz ve aydınlık tutunuz.** Düzensiz veya aydınlatma olmayan çalışma alanları kazalara yol açabilir.
- **Yanıcı sıvıların, gazların veya tozların bulunduğu patlama tehlikesi olan yerlerde elektrikli el aleti ile çalışmayınız.** Elektrikli el aletleri, toz veya buharı yakabilecek kıvılcım oluşturur.
- **Elektrikli el aletini kullanırken çocukları ve diğer kişileri uzak tutunuz.** Dikkatiniz dağılırsa aletin kontrolünü kaybedebilirsiniz.



### Elektrik güvenliği

- ▶ **Topraklanan yüzeyler (örneğin borular, ısıtma sistemleri, ocaklar ve buzdolapları) ile temastan kaçınınız.** Vücudunuzun toprakla teması var ise yüksek bir elektrik çarpması riski söz konusudur.
- ▶ **Elektrikli el aletini yağmurdan veya ıslaklıktan uzak tutunuz.** Elektrikli el aletine su girmesi, elektrik çarpması riskini artırır.

### Kişilerin güvenliği

- ▶ **Dikkatli olunuz, ne yaptığınıza dikkat ediniz ve elektrikli el aleti ile çalışırken mantıklı davranınız.** Yorgunsanız veya uyuşturucu, alkol veya ilaç etkisi altında iseniz elektrikli el aletini kullanmayınız. Elektrikli el aletini kullanırken bir anlık dikkatsizlik ciddi yaralanmalara neden olabilir.
- ▶ **Kişisel koruyucu donanım ve her zaman bir koruyucu gözlük takınız.** Elektrikli el aletinin türüne ve kullanımına göre toz maskesi, kaymayan güvenlik ayakkabısı, koruyucu kask veya kulaklık gibi kişisel koruyucu donanımların kullanılması yaralanma riskini azaltır.
- ▶ **İstem dışı çalışmayı önleyiniz. Aküyü bağlamadan, yerleştirmeden veya taşımadan önce elektrikli el aletinin kapalı olduğundan emin olunuz.** Elektrikli el aletini taşırken parmağınız şalterde ise veya alet açık konumda güç kaynağına takılırsa bu durum kazalara yol açabilir.
- ▶ **Elektrikli el aletini devreye almadan önce ayar aletlerini veya vidalama anahtarlarını çıkartınız.** Dönen bir alet parçasında bulunan bir alet veya anahtar yaralanmalara yol açabilir.
- ▶ **Aşırı bir vücut hareketinden sakınınız. Güvenli bir duruş sağlayınız ve her zaman dengeli tutunuz.** Böylece beklenmedik durumlarda elektrikli el aletini daha iyi kontrol edebilirsiniz.
- ▶ **Uygun kıyafetler giyiniz. Bol kıyafetler giymeyiniz veya takı takmayınız. Saçları, kıyafetleri ve eldivenleri hareket eden parçalardan uzak tutunuz.** Bol kıyafetler, takı veya uzun saçlar hareket eden parçalara takılabilir.
- ▶ **Toz emme ve tutma tertibatları monte edilebiliyorsa bunların bağlı olduğundan ve doğru kullanıldığından emin olunuz.** Bu toz emme tertibatının kullanımı tozdan kaynaklanabilecek tehlikeleri azaltabilir.

### Elektrikli el aletinin kullanımı ve çalıştırılması

- ▶ **Aleti çok fazla zorlamayın. Çalışmanızı için uygun olan elektrikli el aletini kullanın.** Uygun elektrikli el aleti ile bildirilen hizmet alanında daha iyi ve güvenli çalışırsınız.
- ▶ **Şalteri bozuk olan elektrikli el aletini kullanmayınız.** Açılıp kapatılmayan bir elektrikli el aleti tehlikelidir ve tamir edilmesi gerekir.
- ▶ **Aletin ayarlarını yapmadan, aksesuar parçalarını değiştirmeden veya aleti başka bir yere koymadan önce aküyü çıkartınız.** Bu önlem, elektrikli el aletinin istem dışı çalışmasını engeller.
- ▶ **Kullanılmayan elektrikli el aletlerini çocukların erişemeyeceği yerde muhafaza edin. Aleti iyi tanımayan veya bu talimatları okumamış kişilere aleti kullandırmayın.** Elektrikli el aletleri bilgisiz kişiler tarafından kullanılırsa tehlikelidir.
- ▶ **Elektrikli el aletlerinin bakımını özenle yapınız. Hareketli parçaların kusursuz çalıştığı ve sıkışmadığı, parçaların kırılıp kırılmadığı veya hasar görüp görmediği, elektrikli el aleti fonksiyonlarının kısıtlanma durumlarını kontrol ediniz. Hasarlı parçaları aleti kullanmadan önce tamir ettiriniz.** Birçok kazanın nedeni bakımı kötü yapılan elektrikli el aletleridir.
- ▶ **Kesme aletlerini keskin ve temiz tutun.** Özenle bakımı yapılmış keskin bıçak kenarı olan kesme aletleri daha az sıkışır ve kullanımı daha rahattır.
- ▶ **Elektrikli el aletini, aksesuarları, ek aletleri vb. bu talimatlara göre kullanın. Çalışma şartlarını ve yapılacak işi de ayrıca göz önünde bulundurun.** Elektrikli el aletlerinin öngörülen kullanımı dışında kullanılması tehlikeli durumlara yol açabilir.

### Akülü el aletinin kullanımı ve çalıştırılması

- ▶ **Aküleri sadece üretici tarafından tavsiye edilen şarj cihazları ile şarj ediniz.** Belirli bir akü için uygun olan bir şarj cihazı, başka akülerle kullanılırsa yanma tehlikesi vardır.
- ▶ **Elektrikli el aletlerinde sadece bunun için öngörülen aküler kullanılmalıdır.** Başka akülerin kullanılması yaralanmalara ve yanma tehlikelerine yol açabilir.
- ▶ **Kullanılmayan aküleri, kontakların köprülenmesine sebep olabilecek ataçlar, madeni paralar, anahtarlar, çiviler, vidalar veya diğer küçük metal cisimlerden uzak tutunuz.** Akü kontakları arasındaki kısa devre yanmalara veya alev oluşumuna sebep olabilir.
- ▶ **Yanlış kullanımda aküden sıvı çıkabilir. Bunlar ile teması önleyiniz.** Dışarı akan akü sıvısı cilt tahrişine ve yanmalarına yol açabilir. Yanlışlıkla temasta su ile durulayınız. Bu sıvı gözle temas ederse ayrıca tıbbi yardım alınız.

### Servis

- ▶ **Elektrikli el aletinizi sadece kalifiye uzman personele ve sadece orijinal yedek parçalar ile tamir ettiriniz.** Böylece elektrikli el aletinin güvenliğinin korunduğundan emin olunur.



## 2.2 Kırıcı - delici ek güvenlik uyarıları

### Kişilerin güvenliği

- ▶ Ürünü sadece teknik açıdan sorunsuz durumdayken kullanın.
- ▶ Alette hiç bir zaman manipülasyonlar veya değişiklikler yapmayın.
- ▶ Aletle birlikte verilen ek tutamakları kullanın. Kontrol kaybı yaralanmalara yol açabilir.
- ▶ Kırma çalışmalarında, çalışılacak yerin karşı tarafında bulunan bölgeyi emniyete alın. Kırılan parçalar dışarı ve / veya yere düşebilir ve diğer kişilerin yaralanmasına sebep olabilir.
- ▶ Aleti, her zaman iki elinizle öngörülen tutamaklardan sıkıca tutun. Tutamakları kuru ve temiz tutun.
- ▶ Kullandığınız aletin gizli elektrik hatlarına temas edebileceği yerlerde çalışıyorsanız ek aleti izolasyonlu tutamaklardan tutun. Elektrik ileten bir hat ile temasta metal parçalar da gerilim altında kalır ve elektrik çarpmasına neden olabilir.
- ▶ Dönen parçalara temas etmekten kaçının - Yaralanma tehlikesi!
- ▶ Aletin kullanımı sırasında uygun bir koruyucu gözlük, koruyucu kask, kulaklık, koruyucu eldiven ve hafif bir solunum koruma maskesi takın.
- ▶ Matkap ucu değişimi sırasında koruyucu eldiven takın. Ek alete takılan uçlara dokunmak kesik ve yanık türünde yaralanmalara yol açabilir.
- ▶ Koruyucu gözlük kullanın. Etrafa sıçrayan malzeme vücudu ve gözleri yaralayabilir.
- ▶ Çalışmaya başlamadan önce çalışma sırasında ortaya çıkan tozun tehlike sınıfını öğrenin. Ülkenizdeki tozdan koruma yönergelerine uygun bir resmi koruma sınıfına sahip toz emme tertibatı kullanın. Kurşun içeren boyalar gibi malzemelerin tozu, bazı ahşap türleri, kuartz içeren beton / duvar / taşlar, mineraller ve metaller sağlığa zarar verebilir.
- ▶ Çalışma yerinin iyi havalandırmasını sağlayın ve gerektiği durumlarda ilgili toz için uygun olan bir maske kullanın. Tozlara dokunulması veya tozların solunması, kullanıcıda veya yakınında bulunan kişilerde alerjik reaksiyonlara ve/veya solunum yolu hastalıklarına yol açabilir. Kayın veya meşe ağacı gibi belli tür tozlar özellikle ahşap işlemede ek maddelerle (kromat, ahşap koruyucu malzemeler) bağlantılı çalışıldığında kanser yapıcı olarak kabul edilir. Asbest içerikli malzemeler sadece uzman kişiler tarafından işlenmelidir.
- ▶ Parmaklarınızdaki kan dolaşımının daha iyi olması için çalışma molaları verin ve parmak egzersizleri yapın. Uzun süreli çalışmalarda titreşimden dolayı parmaklar, eller veya bileklerdeki kan damarlarında veya sinir sisteminde rahatsızlıklar oluşabilir.

### Elektrik güvenliği

- ▶ Çalışmaya başlamadan önce çalışma alanında üzeri kapatılmış elektrik kablosu, gaz ve su borusu bulunup bulunmadığını kontrol edin. Bir elektrik hattına kazara zarar verilmesi halinde, aletin dışındaki metal parçalar elektrik çarpmasına neden olabilir.

### Elektrikli el aletleri ile dikkatli çalışılması ve aletin doğru kullanılması

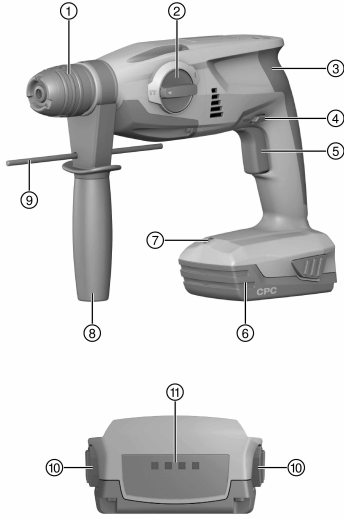
- ▶ Takımın bloke olması halinde, elektrikli el aletini derhal kapatın. Alet yana doğru kayabilir.
- ▶ Yere koymadan önce elektrikli el aletinin tamamen durmasını bekleyin.





### 3 Tanımlama

#### 3.1 Ürüne genel bakış



- ① Alet bağlantı yeri TE-C Click
- ② Fonksiyon seçme şalteri
- ③ Tutamak
- ④ Çalıştırma kilidi olan sağa/sola dönüş değış-tirme şalteri
- ⑤ Kumanda şalteri
- ⑥ Akü
- ⑦ Çalışma alanı aydınlatması
- ⑧ Yan tutamak
- ⑨ Derinlik mesnedi
- ⑩ Şarj durumu göstergesinin devreye alınması ilave fonksiyonuna sahip kilit açma düğmeleri
- ⑪ Akü şarj durumu göstergesi

#### 3.2 Usulüne uygun kullanım

Tarif edilen ürün akülü bir kırıcı-delicidir. Çelik, ahşap ve duvarda delik açma, beton ve duvarda darbeli delme ve civataları sıkma ve sökmede kullanılmak üzere tasarlanmıştır.

- Bu ürün için sadece B 22 tip serisi **Hilti** Lityum İyon aküler kullanılmalıdır.
- Bu aküler için sadece **Hilti** onaylı şarj cihazları kullanınız. Daha fazla bilgiyi **Hilti Store** veya [www.hilti.group](http://www.hilti.group) adresinde bulabilirsiniz

#### 3.3 Lityum İyon akü göstergesi

Lityum İyon akü kullanılması durumunda, kilit açma tuşlarına hafifçe basarak şarj durumu görüntülenebilir.

Durum	Anlamı
4 LED yanıyor.	Şarj durumu: % 75 ile %100 arası
3 LED yanıyor.	Şarj durumu: % 50 ile %75 aralığında
2 LED yanıyor.	Şarj durumu: % 25 ile %50 aralığında
1 LED yanıyor.	Şarj durumu: % 10 ile %25 arası
1 LED yanıp sönüyor.	Şarj durumu: < % 10

Çalışma esnasında ve çalışmadan sonra doğrudan şarj durumunun kontrol edilmesi mümkün değildir. Akü şarj durumu göstergesinin LED'leri yanıp sönüğünde lütfen Hata Arama bölümdeki uyarıları dikkate alınız.

#### 3.4 Teslimat kapsamı

Kırıcı - delici, yan tutamak, derinlik mesnedi, kullanım kılavuzu.

Toz modülü TE DRS-S tozlu çalışmalar için aksesuar olarak sunulur.

Ürün için izin verilen diğer sistem ürünlerini **Hilti Store**'da veya şu adreste bulabilirsiniz: [www.hilti.group](http://www.hilti.group)



## 4 Teknik veriler

### 4.1 Kırıcı-delici

	TE 2-A22
Nominal gerilim	21,6 V
EPTA Procedure 01 uyarınca B22/8.0 akümülatör dahil ağırlık	3,3 kg
Beton/duvarda delme çapı (darbeli delme)	4 mm ... 16 mm
Metalde delme çapı (tam delici)	0 mm ... 10 mm
Derinlik mesnedi maksimum uzunluğu	180 mm

### 4.2 Ses bilgisi ve titreşim değerleri

Bu talimatlarda belirtilen ses basıncı ve titreşim değerleri, ilgili normlara uygun bir ölçüm metodu ile ölçülmüştür ve elektrikli el aletlerinin birbirleri ile karşılaştırılması için kullanılabilir. Zorlanmaların geçici olarak değerlendirilmesine de uygundur. Belirtilen değerler, elektrikli el aletinin ana kullanım alanlarını temsil eder. Elektrikli el aletinin, farklı ek aletlerle veya yetersiz bakım yapılmış şekilde kullanılması durumunda, veriler sapma gösterebilir. Bu durum, toplam çalışma süresi boyunca zorlanmayı belirgin şekilde yükseltebilir. Doğru bir zorlanma değerlendirmesi için aletin kapatıldığı veya çalışır konumda olduğu ve ayrıca kullanımda olmadığı zamanlar da dikkate alınmalıdır. Bu durum, toplam çalışma süresi boyunca zorlanmayı belirgin şekilde azaltabilir. Kullanıcıyı ses ve/veya titreşimin etkilerinden koruyacak ek güvenlik önlemleri belirleyiniz, örneğin: Elektrikli el aletinin ve ek aletlerin bakımının yapılması, ellerin sıcak tutulması, iş akışlarının organizasyonu.

#### Gürültü emisyon değerleri EN 60745 uyarınca belirlenir

Ses gücü seviyesi ( $L_{WA}$ )	103 dB(A)
Emniyetsizlik ses gücü seviyesi ( $K_{WA}$ )	3 dB(A)
Emisyon ses basıncı seviyesi ( $L_{pA}$ )	92 dB(A)
Emniyetsizlik ses basıncı seviyesi ( $K_{pA}$ )	3 dB(A)

#### Titreşim toplam değerleri (üç yöndeki vektörel toplam) EN 60745 uyarınca belirlenmiştir

Betonda darbeli delme ( $a_{h, HD}$ )	15 m/sn <sup>2</sup>
Metalde delme ( $a_{h, D}$ )	2,5 m/sn <sup>2</sup>
Emniyetsizlik (K)	1,5 m/sn <sup>2</sup>

### 4.3 Akü

Akü çalışma gerilimi	21,6 V
İşletim sırasındaki ortam sıcaklığı	-17 °C ... 60 °C
Depolama sıcaklığı	-20 °C ... 40 °C
Şarj başlangıcında akü sıcaklığı	-10 °C ... 45 °C

## 5 Kullanım

### 5.1 Çalışma hazırlığı

#### DİKKAT

#### Yaralanma tehlikesi kazara çalışmaya başlama nedeniyle!

- Aküyü takmadan önce ilgili ürünün kapalı konumda olduğundan emin olunuz.
- Cihazın ayarlarını yapmadan veya aksesuarları değiştirmeden önce aküyü çıkartınız.

Bu dokümanda ve ürün üzerinde bulunan güvenlik ve uyarı bilgilerine dikkat ediniz.

#### 5.1.1 Yan tutamak montajı

1. Yan tutamak tutucusunu (germe bandı) sökmek için tutamağı çeviriniz.
2. Tutamağı (germe bandı), bunun için öngörülen oyuğa kadar alet bağlantı yeri üzerinden öne doğru itiniz.
3. Yan tutamağı istenen konuma konumlandırınız.
4. Yan tutamak tutucusunu (germe bandı) germek için tutamağı çeviriniz.



### 5.1.2 Akünün yerleştirilmesi 2

1. Aküyü, duyulur şekilde yerine oturana kadar cihaz tutucusuna bastırınız.
2. Akünün alette emniyetli bir şekilde yerleşip yerleşmediğini kontrol ediniz.

### 5.1.3 Akünün çıkartılması 3

1. Akünün kilit açma tuşlarına basınız.
2. Aküyü arkaya doğru dışarı çekiniz.

### 5.1.4 Ek aletin yerleştirilmesi 5

1. Ek aletin giriş ucunu gresle hafifçe yağlayınız.
  - Sadece Hilti'nin orijinal gresini kullanınız. Yanlış bir gres tipi alette hasara neden olabilir.
2. Ek aleti dayanak yerine kadar alet bağlantı yerine yerleştirip oturtunuz.
3. Aleti yerleştirdikten sonra çekerek güvenli kilitleme durumunu kontrol ediniz.
  - Ürün kullanıma hazırdır.

### 5.1.5 Ek aletin çıkarılması 6



#### İKAZ

**Yaralanma tehlikesi** Alet kullanım sırasında ısınır.

- Alet değişimi sırasında koruyucu eldiven takılmalıdır.

- Alet kilidini dayanak noktasına kadar geri çekin ve ek aleti çıkartın.

### 5.1.6 Derinlik mesnedinin monte edilmesi (opsiyonel) 7

1. Yan tutamak tutucusunu (germe bandı) sökmek için tutamağı çeviriniz.
2. Derinlik mesnedini, önden bunun için öngörülen 2 kılavuz deliğine itiniz.
3. Yan tutamak tutucusunu (germe bandı) germek için tutamağı çeviriniz.

## 5.2 Çalışma



#### DİKKAT

**Hasar tehlikesi yanlış kullanım nedeniyle!**

- Şalteri dönüş yönü ve/veya fonksiyon seçimi için çalışma esnasında çalıştırmayınız.

Bu dokümanda ve ürün üzerinde bulunan güvenlik ve uyarı bilgilerine dikkat ediniz.

### 5.2.1 İşyeri aydınlatması



LED'ler kumanda şalterine basıldığında otomatik olarak etkinleştirilir. Kumanda şalterini bıraktıktan sonra LED yavaşça söner.

- Kumanda şalterine basınız.

### 5.2.2 Dönüş yönü

- Dönüş yönünü ayarlayınız.
  - Şalter bu konumda yerine oturur.

### 5.2.3 Darbesiz delme 8

- Fonksiyon seçme şalterini şu sembolün üzerine getiriniz:

### 5.2.4 Darbeli delme 9

- Fonksiyon seçme şalterini şu sembolün üzerine getiriniz:



## 6 Bakım ve onarım

### 6.1 Bakım ve onarım

#### İKAZ

**Takılı aküden dolayı yaralanma tehlikesi !**

- Tüm bakım ve onarım çalışmalarından önce her zaman aküyü çıkarınız!

#### **Alet bakımı**

- Yapışmış olan kir dikkatlice çıkarılmalıdır.
- Havalandırma deliklerini kuru bir fırça ile dikkatlice temizleyiniz.
- Gövde sadece hafif nemli bir bezle temizlenmelidir. Plastik parçalara yapışabileceğinden silikon içerikli bakım maddeleri kullanılmamalıdır.

#### **Lityum İyon akülerin bakımı**

- Akü temiz ve yağ ve gresten uzak tutulmalıdır.
- Gövde sadece hafif nemli bir bezle temizlenmelidir. Plastik parçalara yapışabileceğinden silikon içerikli bakım maddeleri kullanılmamalıdır.
- Aletin içine nem girişi engellenmelidir.

#### **Bakım**

- Görünür tüm parçalarda hasar olup olmadığı ve kumanda elemanlarının sorunsuz şekilde çalıştığı kontrol edilmelidir.
- Hasar ve/veya fonksiyon arızaları durumunda ürün çalıştırılmamalıdır. Derhal **Hilti** servisi tarafından onarılmalıdır.
- Bakım ve onarım çalışmalarından sonra tüm koruma tertibatları yerleştirilmeli ve fonksiyonları kontrol edilmelidir.



Güvenli çalışma için sadece orijinal yedek parçalar ve sarf malzemeleri kullanınız. Tarafımızdan onaylanmış, yedek parçaları, aksesuarları ve sarf malzemelerini **Hilti Store** veya adresinde bulabilirsiniz. [www.hilti.group](http://www.hilti.group).

### 6.2 Tozdan koruma kapağının temizlenmesi

- Tozdan koruma kapağını düzenli bir şekilde alet bağlantı yerinden temiz, kuru bir bez ile temizleyiniz.
- Conta ağızını dikkatlice silerek temizleyiniz ve hafifçe **Hilti** yağı ile yağlayınız.
- Conta ağızı hasarlı ise tozdan koruma kapağı mutlaka değiştirilmelidir.

## 7 Taşıma ve depolama

### 7.1 Akü aletlerinin taşınması ve depolanması

#### **Taşıma**

#### DİKKAT

**Taşıma sırasında aletin istem dışı çalışması !**

- Ürünlerinizi her zaman aküler takılı olmadan taşıyınız!
- Akülerin çıkarılması.
- Aküler kesinlikle sıkıca bağlanmamış koruma ile taşınmamalıdır.
- Uzun süren depolama sonrası kullanmadan önce aletin ve akülerin hasar görmüş olup olmadığını kontrol ediniz.

#### **Depolama**

#### DİKKAT

**Arızalı veya akan aküler nedeniyle beklenmeyen hasar oluşumu !**

- Ürünlerinizi her zaman aküleri yerleştirmeden depolayınız!
- Aleti ve aküleri mümkün olduğunca soğuk ve kuru yerde depolayınız.
- Aküleri kesinlikle güneşte, sıcakta veya cam levhaların arkasında depolamayınız.
- Aleti ve aküleri çocukların ve yetki verilmeyen kişilerin ulaşamayacağı yerlerde depolayınız.



- Uzun süren depolama sonrası kullanmadan önce aletin ve akülerin hasar görmüş olup olmadığını kontrol ediniz.

## 8 Hata arama

### 8.1 Arıza durumunda yardım

Bu tabloda listelenmemiş veya kendi başınıza gideremediğiniz arızalarda lütfen yetkili **Hilti** servisimiz ile irtibat kurunuz.

### 8.2 Kırıcı-delici çalışmaya hazır değildir

Arıza	Olası sebepler	Çözüm
Kırıcı-delici çalışmıyor.	Kırıcı-delici aşırı yüklendi.	► Kırıcı-deliciyi kapatınız, aküyü çıkartınız ve kırıcı-deliciyi kullanmaya devam etmeyiniz.
LED'ler hiçbir şey göstermiyor.	Akü yerine tamamen takılmamış.	► Aküyü çift klik sesi ile yerine oturtunuz.
	Akü deşarj olmuş.	► Aküyü değiştiriniz ve boş aküyü şarj ediniz.
	Akü çok sıcak veya çok soğuk.	► Akü tavsiye edilen çalışma sıcaklığına getirilmelidir.
1 LED yanıp sönüyor.	Akü deşarj olmuş.	► Aküyü değiştiriniz ve boş aküyü şarj ediniz.
	Akü çok sıcak veya çok soğuk.	► Akü tavsiye edilen çalışma sıcaklığına getirilmelidir.
4 LED yanıp sönüyor.	Kırıcı-delici kısa süre aşırı yüklendi.	► Kumanda şalterini bırakınız ve şaltöre sonra yeniden basınız.
	Aşırı sıcaklık koruması.	► Kırıcı-deliciyi soğumaya bırakınız ve havalandırma deliklerini temizleyiniz.


### 8.3 Kırıcı-delici çalışmaya hazırdır

Arıza	Olası sebepler	Çözüm
Darbe yok.	Kırıcı-delici çok soğuk.	► Kırıcı - deliciyi zemine yerleştiriniz ve rölantide çalıştırınız. Darbe mekanizması çalışıncaya kadar gerektiği kadar tekrarlayınız.
	Fonksiyon seçme şalteri "Darbesiz delme" konumunda	► Fonksiyon seçme şalterini "Darbeli delme" konumuna getiriniz .
Kumanda şalterine basılamıyor veya bloke olmuş.	Sağa/sola dönüş değiştirme şalteri orta konumda.	► Sağa/sola dönüş şalterini sağa veya sola doğru bastırınız.
Alet mili dönmüyor.	Kırıcı-delici elektroniğinin izin verilen çalışma sıcaklığı aşıldı.	► Kırıcı-deliciyi soğumaya bırakınız.
	Akü deşarj olmuş.	► Aküyü değiştiriniz ve boş aküyü şarj ediniz.
Kırıcı-delici otomatik olarak kapanıyor.	Zorlanma emniyeti devreye girer.	► Kumanda şalterini bırakınız. Kırıcı-deliciyi soğumaya bırakınız. Kumanda şalterine yeniden basınız. Alet yükünü azaltınız.
Akü normalden daha hızlı boşalıyor.	Akü durumu uygun değil.	► Aküyü değiştiriniz.
Akü paketi duyulabilir bir "çift klik" sesi ile yerine oturmuyor.	Akünün kilit tırnakları kirlenmiş.	► Kilit tırnaklarını temizleyiniz ve aküyü yeniden yerine oturtunuz.



Anıza	Olası sebepler	Çözüm
Kırcı-delicide veya aküde yoğun ısı oluşması.	Elektrik anzası	► Kırcı-deliciyi hemen kapatınız. Aküyü çıkartınız ve durumunu inceleyiniz. Soğumaya bırakınız. <b>Hilti</b> servisi ile iletişim kurunuz.
	Kırcı-delici aşırı yüklenmiş (kullanım sınırı aşılmış).	► Uygulamaya uygun bir alet seçiniz.
El aleti kilitten çözülüyor.	Alet bağlantı yeri tam olarak geri çekilmemiş.	► Alet kilidini dayanak noktasına kadar geri çekiniz ve aleti çıkartınız.
El aleti yerinden çıkmıyor.	Kırcı-delici sola dönme konumuna getirilmiş.	► Sağa/sola dönüş değiştirme şalterini sağa doğru çalışma konumuna getiriniz.

## 9 İmha

 **Hilti** aletleri yüksek oranda geri dönüşümlü malzemelerden üretilmiştir. Geri dönüşüm için gerekli koşul, usulüne uygun malzeme ayırımıdır. Çoğu ülkede **Hilti**, eski aletlerini yeniden değerlendirmek üzere geri alır. Bu konuda **Hilti** müşteri hizmetlerinden veya satış temsilcinizden bilgi alabilirsiniz.



- Elektrikli el aletlerini, elektronik cihazları ve aküleri evdeki çöplere atmayınız!

## 10 Üretici garantisi

- Garanti koşullarına ilişkin sorularınız için lütfen yerel **Hilti** iş ortağınıza başvurunuz.



## دليل الاستعمال الأصلي

## 1 بيانات المستند

## 1.1 حول هذا المستند

- اقرأ هذه المستندات بالكامل قبل التشغيل. يعتبر هذا شرطا للعمل بشكل آمن والاستخدام بدون اختلالات.
- تراعى إرشادات الأمان والإرشادات التحذيرية الواردة في هذا المستند وعلى الجهاز.
- احتفظ بدليل الاستعمال دائما مع المنتج، ولا تعطي الجهاز لآخرين إلا مرفقا بهذا الدليل.

## 2.1 شرح العلامات

## 1.2.1 إرشادات تحذيرية

تبه الإرشادات التحذيرية إلى الأخطار الناشئة عند التعامل مع الجهاز. يتم استخدام الكلمات الدليلية التالية:

## خطر ⚠

خطر!

تشير لخطر مباشر يؤدي لإصابات جسدية خطيرة أو إلى الوفاة.

## تحذير ⚠

تحذير!

تشير لخطر محتمل قد يؤدي لإصابات جسدية خطيرة أو إلى الوفاة.

## احترس ⚠

احترس!

تشير لموقف خطر محتمل يمكن أن يؤدي لإصابات جسدية خفيفة أو أضرار مادية.

## 2.2.1 الرموز في المستند

يتم استخدام الرموز التالية في هذا المستند:

قبل الاستخدام اقرأ دليل الاستعمال	
إرشادات الاستخدام ومعلومات أخرى مفيدة	
التعامل مع مواد قابلة لإعادة التدوير	
لا تتخلص من الأجهزة الكهربائية البطاريات ضمن القمامة المنزلية	

## 3.2.1 الرموز في الصور

تستخدم الرموز التالية في الرسوم التوضيحية:

تشير هذه الأعداد إلى الصور المعنية بمطلع هذا الدليل	2
ترقيم الصور يمثل ترتيب خطوات العمل في الصور، وقد يختلف عن ترقيم خطوات العمل في النص	3
يتم استخدام أرقام المواضع في صورة العرض العام وهي تشير إلى أرقام تعليق الصورة في فصل عرض عام للمنتج	11
ينبغي أن تسترعي هذه العلامة اهتماما خاصا عند التعامل مع المنتج.	

## 3.1 الرموز المرتبطة بالمنتج

## 1.3.1 الرموز على المنتج

قد تكون الرموز التالية مستخدمة على المنتج:



الثقب بدون طرق	
الثقب بالطرق (الثقب المطرقي)	
الدوران جهة اليمين/اليسار	
عدد اللغات الاسمي في الوضع المحايد	n <sub>0</sub>
عدد اللغات في الدقيقة	/min
تيار مستمر	
بطارية أيونات الليثيوم	Li-Ion
بطاريات أيونات الليثيوم Hilti المستخدمة من النوع. احرص على مراعاة التعليمات الواردة في الفصل الاستخدام المطابق للتعليمات.	
لا تستخدم البطارية أبداً كمطرقة.	
لا تدع البطارية تسقط. لا تستخدم بطارية تعرضت لصدمات أو أي نوع آخر من التلفيات.	
يدعم الجهاز تقنية NFC المتوافقة مع أنظمة التشغيل iOS و Android.	

#### 4.1 معلومات المنتج

منتجات **HILTI** مصممة للمستخدمين المحترفين ويقتصر استعمالها وصيانتها وإصلاحها على الأشخاص المعتمدين والمدربين جيدا. هؤلاء الأشخاص يجب أن يكونوا قد تلقوا تدريباً خاصاً على الأخطار الطارئة. قد يتسبب الجهاز وأدواته المساعدة في حدوث أخطار إذا تم التعامل معها بشكل غير سليم فنياً من قبل أشخاص غير مدربين أو تم استخدامها بشكل غير مطابق للتعليمات.

يوجد مسمى الطراز والرقم المسلسل على لوحة الصنع.

انقل الرقم المسلسل في الجدول التالي. ستحتاج إلى بيانات المنتج في حالة الاستفسارات الموجهة إلى ممثلينا أو مركز الخدمة.

#### بيانات المنتج

الطراز:	TE 2-A22
الجيل:	02
الرقم المسلسل:	

#### 5.1 بيان المطابقة

نقر على مسؤوليتنا الفردية بأن المنتج المشروع هنا متوافقة مع التشريعات والمواصفات المعمول بها. تجد صورة لبيان المطابقة في نهاية هذا المستند.

المستندات الفنية محفوظة هنا:

Hilti Entwicklungsgesellschaft mbH | Zulassung Geräte | Hiltistraße 6 | 86916 Kaufering, DE

#### 2 السلامة

##### 1.2 إرشادات السلامة العامة المتعلقة بالأدوات الكهربائية

**⚠ تحذيراً! احرص على قراءة جميع إرشادات السلامة والتعليمات.** أي تقصير أو إهمال في تطبيق إرشادات السلامة والتعليمات قد يتسبب في حدوث صدمة كهربائية أو حريق و/أو إصابات خطيرة.

احتفظ بجميع مستندات إرشادات السلامة والتعليمات لاستخدامها عند الحاجة إليها فيما بعد.

##### سلامة مكان العمل

- حافظ على نطاق عملك نظيفاً ومضاءً بشكل جيد. الفوضى أو أماكن العمل غير المضاءة يمكن أن تؤدي لوقوع حوادث.
- لا تعمل بالأداة الكهربائية في محيط معرض لخطر الانفجار يتواجد به سائل أو غازات أو أنواع غبار قابلة للاشتعال. الأدوات الكهربائية تولد شرراً يمكن أن يؤدي لإشعال الغبار والأبخرة.





- ◀ احرص على إبعاد الأطفال والأشخاص الآخرين أثناء استخدام الأداة الكهربائية. في حالة انصراف انتباهك قد تفقد السيطرة على الجهاز.
- السلامة الكهربائية**
- ◀ تجنب تلامس الجسم مع الأسطح المؤرقة مثل المواسير وأجهزة التدفئة والمواقد والثلاجات. ينشأ خطر متزايد من حدوث صدمة كهربائية عندما يكون جسمك متصلاً بالأرض.
- ◀ أبعد الأدوات الكهربائية عن الأمطار أو اللبل. تسرب الماء إلى داخل الأداة الكهربائية يزيد من خطر حدوث صدمة كهربائية.
- سلامة الأشخاص**
- ◀ كن يقظاً وانتبه لما تفعل وتعامل مع الأداة الكهربائية بتعقل عند العمل بها. لا تستخدم الأداة الكهربائية عندما تكون متعباً أو تمت تأثير المخدرات أو الكحوليات أو العقاقير. فقد يتسبب عدم الانتباه للحظة واحدة أثناء استخدام الأداة الكهربائية في حدوث إصابات خطيرة.
- ◀ ارتد تجهيزات وقاية شخصية وارتد دائماً نظارة واقية، ارتداء تجهيزات وقاية شخصية، مثل قناع الوقاية من الغبار وأحذية الأمان المضادة للانزلاق وخوذة الوقاية أو واقي السمع، تبعاً لنوع واستخدام الأداة الكهربائية، يقلل من خطر الإصابات.
- ◀ تجنب التشغيل بشكل غير مقصود. تأكد أن الأداة الكهربائية مطفأة قبل توصيلها بالبطارية وقبل رفعها أو حملها. إذا كان إصبعك على المفتاح عند حمل الأداة الكهربائية أو كان الجهاز في وضع التشغيل عند التوصيل بالكهرباء، فقد يؤدي ذلك لوقوع حوادث.
- ◀ أبعد أدوات الضبط أو مفاتيح ربط البراغي قبل تشغيل الأداة الكهربائية. الأداة أو المفتاح المتواجد في جزء دوار من الجهاز يمكن أن يؤدي لحدوث إصابات.
- ◀ تجنب اتخاذ وضع غير طبيعي للجسم. احرص على أن تكون واقفاً بأمان وحافظ على توازنك في جميع الأوقات. من خلال ذلك تستطيع السيطرة على الأداة الكهربائية بشكل أفضل في المواقف المفاجئة.
- ◀ ارتد ملابس مناسبة. لا ترتد ملابس فضفاضة أو حلي. احرص على أن يكون الشعر والملابس والقفازات بعيدة عن الأجزاء المتحركة. الملابس الفضفاضة أو الحلي أو الشعر الطويل يمكن أن تشبكت في الأجزاء المتحركة.
- ◀ إذا أمكن تركيب تجهيزات شفط وتجميع الغبار، فتأكد أنها موصولة ومستخدمة بشكل سليم. استخدام تجهيزة شفط الغبار يمكن أن يقلل الأخطار الناتجة عن الغبار.
- استخدام الأداة الكهربائية والتعامل معها**
- ◀ لا تفرط في التحميل على الجهاز. استخدم الأداة الكهربائية المناسبة للعمل الذي تقوم به. استخدام الأداة الكهربائية المناسبة يتبع لك العمل بشكل أفضل وأكثر أماناً في نطاق العمل المقرر.
- ◀ لا تستخدم أداة كهربائية ذات مفتاح تالف. الأداة الكهربائية التي لم يعد يمكن تشغيلها أو إطفائها تمثل خطورة ويجب إصلاحها.
- ◀ اخلع البطارية من الجهاز قبل إجراء عمليات ضبط الجهاز، أو استبدال أجزاء الملحقات أو عند ترك الجهاز دون استخدام. هذا الإجراء الوقائي يمنع بدء تشغيل الأداة الكهربائية دون قصد.
- ◀ احتفظ بالأدوات الكهربائية غير المستخدمة بعيداً عن متناول الأطفال. لا تسمح باستخدام الجهاز من قبل أشخاص ليسوا على دراية به أو لم يقرأوا هذه التعليمات. الأدوات الكهربائية خطيرة في حالة استخدامها من قبل أشخاص ليست لديهم الخبرة الواجبة.
- ◀ احرص على العناية التامة بالأدوات الكهربائية. افحص الأجزاء المتحركة من حيث أداؤها لوظيفتها بدون مشاكل وعدم انحصارها وافحصها من حيث وجود أجزاء مكسورة أو متعرضة للضرر يمكن أن تؤثر سلباً على وظيفة الأداة الكهربائية. اعمل على إصلاح الأجزاء التالفة قبل استخدام الجهاز. الكثير من الحوادث مصدرها الأدوات الكهربائية التي تم صيانتها بشكل رديء.
- ◀ حافظ على أدوات القطع حادة ونظيفة. تتميز أدوات القطع ذات حواف القطع المادئة المعتنى بها بدقة بأنها أقل عرضة للتعثُر وأسبل في التعامل.
- ◀ استخدم الأداة الكهربائية والملحقات وأدوات العمل وخلافه طبقاً لهذه التعليمات. احرص في هذه الأثناء على مراعاة اشتراطات العمل والمهمة المراد تنفيذها. استخدام الأدوات الكهربائية في تطبيقات غير تلك المقررة لها يمكن أن يؤدي لمواقف خطيرة.
- استخدام الأداة العاملة بالبطارية والتعامل معها**
- ◀ لا تشحن البطارية إلا في أجهزة شحن موصى بها من قبل الجبة الصانعة. بالنسبة لجهاز الشحن المناسب لنوع معين من البطاريات، ينشأ خطر الحريق عند استخدامه مع بطاريات أخرى.
- ◀ لا تضع في الأدوات الكهربائية سوى البطاريات المخصصة لها. استخدام بطاريات أخرى يمكن أن يؤدي لوقوع إصابات وخطر الحريق.



- ◀ أبعد البطارية غير المستخدمة عن مشابك الورق وقطع النقود المعدنية والمفاتيح والمسامير والبراغي أو الأشياء المعدنية الصغيرة الأخرى التي يمكن أن تتسبب في توصيل الملامسين لبعضهما. حدوث قفلة كهربائية بين أطراف توصيل البطارية يمكن أن ينتج عنه حدوث حروق أو نشوب حريق.
- ◀ عند الاستخدام بشكل خاطئ يمكن أن يتسرب سائل من البطارية. تجنب ملامسته. سائل البطارية المتسرب يمكن أن يؤدي لتبجيش البشرة أو حدوث حروق. اشطفه بالماء في حالة ملامسته عن طريق الخطأ. إذا وصل السائل للعينين، فاطلب معونة طبية بصفة إضافية.

#### الخدمة

- ◀ اعمل على إصلاح أدواتك الكهربائية على أيدي فنيين معتمدين فقط والاقصر على استخدام قطع الغيار الأصلية. وبذلك تتأكد أن سلامة الأداة الكهربائية تظل قائمة.

## 2.2 إرشادات السلامة الإضافية للمثاقب المطرقي

### سلامة الأشخاص

- ◀ اقتصر على استخدام المنتج وهو في حالة سليمة من الناحية الفنية.
- ◀ لا تقم أبداً بأية تدخلات أو تغييرات على الجهاز.
- ◀ استخدم المقابض الإضافية الموردة مع الجهاز. فقدان السيطرة يمكن أن يؤدي لوقوع إصابات.
- ◀ أثناء أعمال الثقب قم بتأمين النطاق الواقع على الجهة المقابلة للعمل. الشظايا المتناثرة يمكن أن تتطاير و/أو تسقط وتصيب الآخرين.
- ◀ أمسك الجهاز دائماً بيدك من المقابض المعنية. حافظ على جفاف ونظافة المقابض.
- ◀ أمسك الجهاز من مواضع المسك المعزولة عند إجراء أعمال يحتمل فيها أن تتلامس أداة الشغل مع أسلاك كهربائية مخفية. حيث أن ملامسة سلك يسري فيه التيار الكهربائي يمكن أن ينقل الجهد الكهربائي للأجزاء المعدنية بالجهاز ويؤدي لحدوث صدمة كهربائية.
- ◀ تجنب ملامسة الأجزاء الدوارة - خطر الإصابة!
- ◀ احرص أثناء استخدام الجهاز على استعمال نظارة واقية ملائمة وخوذة حماية وواقي للسمع وقفاز واقي وكمامة خفيفة للتنفس.
- ◀ ارتد قفازا واقياً أثناء تغيير الأدوات. ملامسة أداة الشغل قد تؤدي لوقوع إصابات بجروح قطعية وإصابة بحروق.
- ◀ استخدم واقياً للعينين. الشظايا المتطايرة يمكن أن تصيب الجسم والعيون.
- ◀ احرص قبل بدء العمل على معرفة فئة خطر الغبار الناشئ عند إجراء العمل. استخدم شفاط غبار أعمال الإنشاءات ذي فئة الحماية مصرح بها رسمياً ومطابق للتعليمات المحلية الخاصة بالحماية من الغبار. الغبار الناتج عن خامات مثل الطلاء المحتوي على الرصاص وبعض أنواع الأخشاب والخرسانة/الجران والصخور المحتوية على الكوارتز والمعادن الصخرية والمعادن هو غبار ضار بالصحة.
- ◀ احرص على وجود تهوية جيدة لمكان العمل وارتد عند اللزوم قناع تنفس مخصص لنوعية الغبار المنبعث. ملامسته أو استنشاقه قد يسبب أعراض حساسية و/أو أمراض الجهاز التنفسي للمستخدم أو للأشخاص المتواجدين على مقربة منه. هناك أنواع معينة مسرطنة من الغبار مثل غبار خشب البلوط أو غبار خشب الزان، ولا سيما إذا ارتبطت هذه الأنواع بمواد إضافية لمعالجة الأخشاب (مثل الكروم ومواد حماية الأخشاب). لا يجوز التعامل مع المواد المحتوية على الأسبستوس إلا من قبل فنيين متخصصين.
- ◀ خذ قسطاً من الراحة أثناء العمل وقم بتمازج لسريان الدم في الأصابع بشكل أفضل. عند القيام بأعمال لفترات طويلة فقد يحدث اضطرابات في الأوعية الدموية أو الجهاز العصبي بسبب كثرة الاهتزازات على الأصابع، الأيدي أو معصم اليد.

### السلامة الكهربائية

- ◀ قبل بدء الأعمال افحص نطاق العمل من حيث وجود توصيلات كهرباء مغطاة أو مواسير للغاز والماء. الأجزاء المعدنية الخارجية بالجهاز يمكن أن تتسبب في صدمة كهربائية، إذا قمت دون قصد بإتلاف إحدى توصيلات التيار.

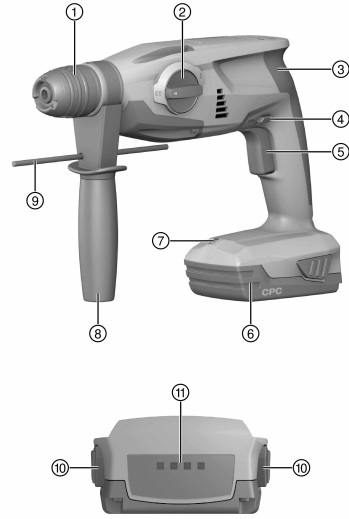
### الاستخدام والتعامل بعناية مع الأدوات الكهربائية

- ◀ قم بإيقاف الأداة الكهربائية على الفور، بمجرد تعرض الأداة للإعاقة. يمكن أن ينحرف الجهاز جانباً.
- ◀ قبل التخزين انتظر إلى أن تتوقف الأداة الكهربائية تماماً.



**1.3 نظرة عامة على المنتج 1**

- ① طرف تركيب الأدوات TE-C Click
- ② مفتاح اختيار الوظيفة
- ③ المقبض
- ④ مفتاح تحويل الدوران جهة اليمين/اليسار
- ⑤ مزود بمانع تشغيل
- ⑥ مفتاح التحكم
- ⑦ البطارية
- ⑧ لمبة إضاءة نطاق العمل
- ⑨ مقبض جانبي
- ⑩ محدد عمق الثقب
- ⑪ أزرار تمرير ذات وظيفة إضافية لتفعيل بيان حالة الشحن
- ⑫ بيان حالة شحن البطارية


**2.3 الاستخدام المطابق للتعليمات**

- المنتج المشروح عبارة عن مثقاب مطرقي مشغل بالبطارية. وهو مخصص لعمل الثقوب في الفولاذ والأخشاب والجران وللثقب بالدق في الخرسانة والجران، ولربط وحل البراغي.
- اقتصر على استخدام بطاريات أيونات الليثيوم Hilti من النوع B 22 مع هذا المنتج.
  - اقتصر على استخدام أجهزة الشحن المصرح بها من Hilti لهذه البطاريات. تجد المزيد من المعلومات لدى **Hilti Store** أو على موقع الإنترنت: [www.hilti.group](http://www.hilti.group)

**3.3 بيان حالة بطارية أيونات الليثيوم**

يمكن إظهار حالة الشحن عند استخدام بطاريات أيونات الليثيوم من خلال النقر على أحد أزرار التحريك.

الحالة	الاستعمال
4 لمبات LED تضيء.	حالة الشحن: 75 % إلى 100 %
3 لمبات LED تضيء.	حالة الشحن: 50 % إلى 75 %
لمبتا LED تضيئان.	حالة الشحن: 25 % إلى 50 %
لمبة LED واحدة تضيء.	حالة الشحن: 10 % إلى 25 %
لمبة LED واحدة تومض.	حالة الشحن: > 10 %

أثناء العمل وبعده مباشرة لا يمكن الاستعلام عن حالة الشحن. في حالة وميض لمبات LED الخاصة ببيان حالة شحن البطارية يرجى مراعاة الإرشادات الواردة في موضوع تحري الأخطاء.

**4.3 مجموعة التجهيزات الموردة**

المثقاب المطرقي، المقبض الجانبي، محدد العمق، دليل الاستعمال.



يتم تقديم وحدة الحماية من الغبار TE DRS-S كملحق للعمل دون تصاعد الغبار.  
تجد المزيد من منتجات النظام المسموح بها للمنتج الخاص بك لدى متجر Hilti Store أو على موقع الإنترنت:  
[www.hilti.group](http://www.hilti.group)

## 4 المواصفات الفنية

### 1.4 المثقاب المطرقي

<b>TE 2-A22</b>	
21.6 فلط	الجهد الكهربائي الاسمي
3.3 كجم	الوزن حسب EPTA Procedure 01 شاملا البطارية B228.0
4 مم ... 16 مم	نطاق الثقب في الخرسانة/الجران (الثقب المطرقي)
0 مم ... 10 مم	نطاق الثقب في المعدن (ريشة ثقب مصممة)
180 مم	أقصى طول لمحدد العمق

### 2.4 معلومات الضوضاء وقيم الاهتزاز

تم قياس قيم ضغط الصوت والاهتزاز الواردة في هذا الدليل طبقا لعملية قياس معايرة ويمكن الاستعانة بها في مقارنة الأدوات الكهربائية مع بعضها البعض. وهي تصلح أيضا لتقدير المخاطر بصورة مؤقتة. المواصفات الواردة تتعلق بالاستخدامات الأساسية للأداة الكهربائية. أما إذا تم استخدام الأداة الكهربائية في تطبيقات أخرى مع أدوات شغل مخالفة للمواصفات أو دون صيانة كافية، ففي هذه الحالة قد تختلف البيانات. وقد يزيد هذا من المخاطر خلال مدة العمل بالكامل بصورة واضحة. ولتقدير المخاطر تقديرا دقيقا ينبغي أيضا مراعاة الأوقات التي يتم فيها إيقاف الجهاز أو التي يكون فيها الجهاز مشغلا ولكن دون استخدام حقيقي. وقد يقلل هذا من المخاطر خلال مدة العمل بالكامل بصورة واضحة. احرص على مراعاة تدابير السلامة الإضافية لحماية المستخدم من تأثير الصوت وأو الاهتزازات مثل: صيانة الأداة الكهربائية وأدوات العمل والمخاطر على الأيدي في حالة دافئة وتنظيم مراحل العمل.

يتم احتساب قيم الضجيج المنبعث طبقا للمواصفة EN 60745

103 ديسيبل (A)	مستوى شدة الصوت ( $L_{WA}$ )
3 ديسيبل (A)	نسبة التفاوت لمستوى شدة الصوت ( $K_{WA}$ )
92 ديسيبل (A)	مستوى ضغط الصوت المنبعث ( $L_{pA}$ )
3 ديسيبل (A)	نسبة التفاوت لمستوى ضغط الصوت ( $K_{pA}$ )

قيم الاهتزاز الإجمالية (محصلة المتجهات الثلاثة)، محددة وفقا للمواصفة EN 60745

15 م/ثانية <sup>2</sup>	الثقب بالطرق في الخرسانة ( $a_{h, HB}$ )
2.5 م/ثانية <sup>2</sup>	الثقب في المعدن ( $a_{h, D}$ )
1.5 م/ثانية <sup>2</sup>	نسبة التفاوت (K)

### 3.4 البطارية

21.6 فلط	جهد تشغيل البطارية
17- م ° ... 60 م °	درجة الحرارة المحيطة أثناء التشغيل
20- م ° ... 40 م °	درجة حرارة التخزين
10- م ° ... 45 م °	درجة حرارة البطارية عند بدء الشحن

## 5 الاستعمال

### 1.5 التحضير للعمل

**⚠ احترس:**

خطر الإصابة من خلال التشغيل غير المقصود!

- تأكد قبل إدخال البطاريات أن الجهاز المختص مطفأ.
- اخلع البطارية قبل إجراء عمليات ضبط الجهاز أو تغيير أجزاء الملحقات التكميلية.



تراعى إرشادات الأمان والإرشادات التحذيرية الواردة في هذا المستند وعلى الجهاز.

### 1.1.5 تركيب المقبض الجانبي 4

1. أدر المقبض لفك وسيلة تثبيت (شريط الشد) المقبض الجانبي.
2. أدخل وسيلة التثبيت (شريط الشد) من الأمام عبر طرف تركيب الأدوات وصولاً إلى الحز المخصص لذلك.
3. اضبط المقبض الجانبي في الوضع المرغوب.
4. أدر المقبض لشد وسيلة تثبيت (شريط الشد) المقبض الجانبي.

### 2.1.5 تركيب البطارية 2

1. قم بتركيب البطارية في حامل الجهاز إلى أن تثبت بصوت مسموع.
2. تفحص البطارية من حيث ثباتها في موضعها بشكل جيد.

### 3.1.5 خلع البطارية 3

1. اضغط على أزرار تحرير البطارية.
2. اخلع البطارية بجذبها إلى الخلف.

### 4.1.5 تركيب أداة الشغل 3

1. قم بتزليق طرف إدخال أداة الشغل قليلاً.
  - ◀ اقتصر على استخدام الشحم الأصلي من Hilti. قد يتسبب نوع الشحم غير الصحيح في الإضرار بالجهاز.
2. أدخل أداة الشغل في طرف تركيب الأدوات حتى النهاية واطرکہا تثبت في موضعها.
3. بعد التركيب اختبر مدى إحكام القفل من خلال شد الأداة.
  - ◀ المنتج جاهز للتشغيل.

### 5.1.5 فك أداة الشغل 3



تحذير

**خطر الإصابة** من الممكن أن تسخن الأداة نتيجة الاستخدام.  
◀ ارتد قفازاً واقياً أثناء تغيير الأدوات.

- ◀ قم بإرجاع وسيلة تأمين الأداة حتى النهاية وأخرج أداة الشغل.

### 6.1.5 تركيب محدد العمق (اختياري) 7

1. أدر المقبض لفك وسيلة تثبيت (شريط الشد) المقبض الجانبي.
2. أدخل محدد العمق من الأمام في الثقيبين الدليليين المخصصين لذلك.
3. أدر المقبض لشد وسيلة تثبيت (شريط الشد) المقبض الجانبي.

## 2.5 العمل




تنبيه

**خطر حدوث أضرار من خلال الاستعمال الخاطئ!**

◀ لا تقم بالضغط على مفاتيح اتجاه الدوران و/أو اختيار الوظيفة أثناء التشغيل.

تراعى إرشادات الأمان والإرشادات التحذيرية الواردة في هذا المستند وعلى الجهاز.

### 1.2.5 إضاءة مكان العمل

يتم تفعيل لمبة LED أوتوماتيكياً عند الضغط على مفتاح التحكم. بعد ترك مفتاح التحكم تنطفئ لمبة LED ببطء. 

- ◀ اضغط على مفتاح التحكم.

### 2.2.5 اتجاه الدوران

- ◀ اضبط اتجاه الدوران.
- ◀ فيثبت المفتاح في هذا الوضع.



### 3.2.5 الثقب بدون طرق

- أضبط مفتاح اختيار الوظيفة على هذا الرمز:

### 4.2.5 الثقب بالطرق

- أضبط مفتاح اختيار الوظيفة على هذا الرمز:

## 6 العناية والصيانة

### 1.6 العناية والصيانة

#### تحذير

**خطر الإصابة عند تكون البطارية مركبة !**  
أحرص على خلع البطارية دائماً قبل جميع أعمال الإصلاح والعناية!

#### العناية بالجهاز

- قم بإزالة الاتساخ الملتصق بحرص.
- قم بتنظيف فتحات التهوية بحرص باستخدام فرشاة جافة.
- نظف جسم الجهاز باستخدام قطعة قماش مبللة بعض الشيء. لا تستخدم مواد عناية تحتوي على السيليكون لما قد تتسبب فيه من الإضرار بالأجزاء البلاستيكية.

#### العناية ببطاريات أيونات الليثيوم

- حافظ على البطارية نظيفة وخالية من الزيت والشحم.
- نظف جسم الجهاز باستخدام قطعة قماش مبللة بعض الشيء. لا تستخدم مواد عناية تحتوي على السيليكون لما قد تتسبب فيه من الإضرار بالأجزاء البلاستيكية.
- تجنب تسرب الرطوبة إليها.

#### الصيانة

- افحص جميع الأجزاء المرئية من حيث وجود أضرار وافحص عناصر الاستعمال من حيث كفاءتها الوظيفية.
- في حالة وجود أضرار و/أو اختلالات وظيفية لا تقم بتشغيل المنتج. أحرص على الفور على إصلاحه لدى مركز خدمة Hilti.
- بعد أعمال العناية والإصلاح قم بتركيب جميع تجهيزات الحماية وافحصها من حيث الأداء الوظيفي.



للتشغيل الآمن اقتصر على استخدام قطع الغيار الأصلية وخامات الشغل. تجد قطع الغيار وخامات الشغل والملمقات المصراع بها من قبلنا للمنتج الخاص بك في متجر **Hilti Store** أو على موقع الإنترنت: [www.hilti.group](http://www.hilti.group)

### 2.6 تنظيف غطاء الحماية من الغبار

- قم بتنظيف غطاء الحماية من الغبار الموجود على طرف تركيب الأدوات بصفة دورية باستخدام فوطة نظيفة جافة.
- قم بتنظيف شفة الإحكام عن طريق مسحها بحرص وبقم بتشحيماً مرة أخرى بقليل من شحم Hilti.
- يلزم تغيير غطاء الحماية من الغبار في حالة تلف شفة الإحكام.

## 7 النقل والتخزين

### 1.7 نقل وتخزين الأجهزة العاملة بالبطاريات

#### النقل

#### أحترس:

**التشغيل غير مقصود عند النقل !**

- قم بنقل المنتج دائماً بدون البطاريات!

- اخلع البطاريات.
- تجنب نقل البطاريات في كميات سائبة.
- بعد النقل لمسافة طويلة أو التخزين افحص الجهاز والبطاريات قبل الاستخدام من حيث وجود أضرار.



**أضرار غير مقصودة بسبب البطاريات التالفة أو التي بها تسريب.!**

- ◀ قم بتخزين المنتج دائماً بدون البطاريات!
- ◀ يجب تخزين الجهاز والبطاريات في مكان جاف وبارد قدر الإمكان.
- ◀ تجنب تخزين البطاريات تحت أشعة الشمس أو على أجهزة التدفئة أو خلف النوافذ الزجاجية.
- ◀ احرص على تخزين الجهاز والبطاريات في مكان يصعب على الأطفال وغير المؤهلين لاستخدامه الوصول إليه.
- ◀ بعد النقل لمسافة طويلة أو التخزين اقمص الجهاز والبطاريات قبل الاستخدام من حيث وجود أضرار.

## 8 تقصي الأخطاء

### 1.8 المساعدة في حالات الاختلالات

عند حدوث اختلالات غير مذكورة في الجدول أو يتعذر عليك معالجتها بنفسك، فيرجى التوجه إلى مركز خدمة Hilti.

### 2.8 لا يكون المثقاب المطرقي جاهزاً للعمل

الخلل	السبب المحتمل	الحل
المثقاب المطرقي لا يبدأ في العمل.	تحميل زائد على المثقاب المطرقي.	◀ قم بإيقاف المثقاب المطرقي، واخلع البطارية ولا تواصل استخدام المثقاب المطرقي.
لمبات LED لا تشير لشيء.	لم يتم إدخال البطارية حتى النهاية.	◀ قم بتثبيت البطارية حتى سماع صوت طققة مزدوجة.
	فراغ شمعة البطارية.	◀ قم بتغيير البطارية واشمن البطارية الفارغة.
	البطارية ساخنة للغاية أو باردة للغاية.	◀ اعمل على توفير درجة حرارة العمل الموصى بها للبطارية.
1 لمبة LED تومض.	فراغ شمعة البطارية.	◀ قم بتغيير البطارية واشمن البطارية الفارغة.
	البطارية ساخنة للغاية أو باردة للغاية.	◀ اعمل على توفير درجة حرارة العمل الموصى بها للبطارية.
4 لمبات LED تومض.	تحميل زائد على المثقاب المطرقي لفترة قصيرة.	◀ اترك مفتاح التحكم واضغط عليه مجدداً.
	الحماية من السخونة المفرطة.	◀ اترك المثقاب المطرقي يبرد وقم بتنظيف فتحات التبريد.

### 3.8 يكون المثقاب المطرقي جاهزاً للعمل

الخلل	السبب المحتمل	الحل
لا يتولد طرق.	المثقاب المطرقي بارد للغاية.	◀ ضع المثقاب المطرقي على الأرض واتركه يدور على الفارغ. عند اللزوم كرر هذه العملية حتى يعمل الطارق.
	مفتاح اختيار الوظيفة مضبوط على وضع "الثقب بدون دق" $\frac{1}{2}$ .	◀ اضبط مفتاح اختيار الوظيفة على وضع "الثقب المطرقي" $\frac{1}{4}$ .
لا يمكن الضغط على مفتاح التحكم أو المفتاح مقفل.	مفتاح تحويل الدوران جهة اليمين/اليسار في الوضع الأوسط.	◀ اضغط على مفتاح تحويل الدوران جهة اليمين/اليسار إلى اليمين أو اليسار.
بريمة الجهاز لا تدور.	تم تجاوز درجة حرارة التشغيل المسموح بها للوحدة الإلكترونية بالمثقاب المطرقي.	◀ اترك المثقاب المطرقي يبرد.



الخلل	السبب المحتمل	الحل
بريمة الجهاز لا تدور.	فراغ شحنة البطارية.	◀ قم بتغيير البطارية واشمن البطارية الفارغة.
المثقاب المطرقي يتوقف أو توماتيكيا.	وسيلة الحماية من التحميل الزائد تقوم بعملها.	◀ اترك مفتاح التحكم. اترك المثقاب المطرقي يبرد. اضغط مجدداً على مفتاح التحكم. قم بتخفيف الحمل عن الجهاز.
شحنة البطارية تفرغ بشكل أسرع من المعتاد.	حالة البطارية ليست مثالية.	◀ قم بتغيير البطارية.
البطارية لا تثبت بصوت "طقطقة مزدوجة" مسموع.	أطراف تثبيت البطارية متسخة.	◀ قم بتنظيف أطراف التثبيت ثم قم بتركيب البطارية مجدداً.
تنشأ سخونة شديدة بالمثقاب المطرقي أو البطارية.	عطل كهربائي	◀ قم بإيقاف المثقاب المطرقي على الفور. قم بإخراج البطارية وافحصها جيداً. واتركها تبرد. اتصل بخدمة Hilti.
	تحميل زائد على المثقاب المطرقي (تجاوز حد الاستخدام).	◀ اختر جهازاً مناسباً لمجال الاستخدام.
الأداة لا تتحرر من وضع إحكام التثبيت.	لم تقم بإرجاع ظرف تركيب الأدوات حتى النهاية.	◀ قم بإرجاع وسيلة إحكام قفل الأداة حتى النهاية وأخرج الأداة.
الأداة لا تثقب.	المثقاب المطرقي مضبوط على وضع الدوران جهة اليسار.	◀ اجعل مفتاح تحويل الدوران جهة اليمين/اليسار على وضع الدوران جهة اليمين.

## 9 التكوين

أجهزة Hilti مصنوعة بنسبة كبيرة من مواد قابلة لإعادة التدوير. يشترط لإعادة التدوير أن يتم فصل الغامات بشكل سليم فينبا. في العديد من الدول تقوم شركة Hilti باستغلال الأجهزة القديمة لإعادة تدويرها. وللعلومات حول ذلك اتصل بخدمة عملاء Hilti أو الموزع القريب منك.

◀ لا تلق الأدوات الكهربائية، الأجهزة الإلكترونية والبطاريات ضمن القمامة المنزلية!

## 10 ضمان الجهة الصانعة

◀ في حالة وجود أية استفسارات بخصوص شروط الضمان، يرجى التوجه إلى وكيل Hilti المحلي الذي تتعامل معه.





# Originālā lietošanas instrukcija

## 1 Informācija par dokumentāciju

### 1.1 Par šo dokumentāciju

- Pirms ekspluatācijas sākšanas obligāti izlasiet šo dokumentāciju. Tas ir priekšnoteikums darba drošībai un izstrādājuma lietošanai bez traucējumiem.
- Ievērojiet drošības norādījumus un brīdinājumus, kas atrodami šajā dokumentācijā un uz izstrādājuma.
- Vienmēr glabājiet lietošanas instrukciju izstrādājuma tuvumā un nododiet to kopā ar izstrādājumu, ja tas tiek nodots citām personām.

### 1.2 Apzīmējumu skaidrojums

#### 1.2.1 Brīdinājumi

Brīdinājumi pievērš uzmanību bīstamībai, kas pastāv, strādājot ar izstrādājumu. Tiek lietoti šādi signālvārdi:

#### **BĪSTAMI!**

**BĪSTAMI! !**

- ▶ Pievērš uzmanību draudošām briesmām, kas var izraisīt smagus miesas bojājumus vai nāvi.

#### **BRĪDINĀJUMS!**

**BRĪDINĀJUMS! !**

- ▶ Pievērš uzmanību iespējamam apdraudējumam, kas var izraisīt smagas traumas vai pat nāvi.





#### **IEVĒROT PIESARDZĪBU!**

**UZMANĪBU! !**

- ▶ Norāda uz iespējami bīstamām situācijām, kas var izraisīt vieglas traumas vai materiālos zaudējumus.




#### 1.2.2 Dokumentācijā lietotie simboli

Šajā dokumentācijā tiek lietoti šādi simboli:

	Pirms lietošanas izlasiet instrukciju
	Norādījumi par lietošanu un cita noderīga informācija
	Rīcība ar otrreiz pārstrādājamiem materiāliem
	Neizmetiet elektroiekārtas un akumulatorus sadzīves atkritumos.

#### 1.2.3 Attēlos lietotie simboli

Attēlos tiek lietoti šādi simboli:

	Šie skaitļi norāda uz attiecīgajiem attēliem, kas atrodami šīs instrukcijas sākumā.
3	Numerācija attēlos atbilst veicamo darbību secībai un var atšķirties no darbību apraksta tekstā.
	Pozīciju numuri tiek lietoti attēlā <b>Pārskats</b> un norāda uz leģendas numuriem sadaļā <b>Izstrādājuma pārskats</b> .
	Šī simbola uzdevums ir pievērst īpašu uzmanību izstrādājuma lietošanas laikā.

### 1.3 Simboli atkarībā no izstrādājuma

#### 1.3.1 Simboli uz izstrādājuma

Uz izstrādājuma var tikt lietoti šādi simboli:



	Urbšana bez triecienu funkcijas
	Urbšana ar triecienu funkciju (triecienuurbšana)
	Rotācija pa labi / rotācija pa kreisi
$n_0$	Nominālais apgriezīnu skaits tukšgaitā
/min	Apgriezieni minūtē
	Līdzstrāva
Li-Ion	Litija jonu akumulators
	Lietojamā <b>Hilti</b> litija jonu akumulatoru sērija. Ņemiet vērā informāciju, kas iekļauta nodaļā <b>Nosacījumiem atbilstīga lietošana</b> .
	Nekādā gadījumā nelietojiet akumulatoru kā triecienuinstrumentu.
	Sargājiet akumulatoru no kritieniem. Nelietojiet akumulatoru, ja tas ir bijis pakļauts triecienam vai tam ir radušies cita veida bojājumi.
	Iekārta atbalsta tehnoloģiju NFC, kas ir saderīga ar iOS un Android platformām.

#### 1.4 Izstrādājuma informācija

**HILTI** izstrādājumi ir paredzēti profesionāliem lietotājiem, un to darbināšanu, apkopi un tehniskā stāvokļa uzturēšanu drīkst veikt tikai kvalificēts, atbilstīgi apmācīts personāls. Personālam ir jābūt labi informētam par iespējamajiem riskiem, kas var rasties darba laikā. Izstrādājums un tā papildaprīkojums var radīt bīstamas situācijas, ja to uztic neprofesionālam personālam vai nelieto atbilstīgi nosacījumiem. Iekārta tipa apzīmējums un sērijas numurs ir norādīti uz identifikācijas datu plāksnītes.

- Ierakstiet sērijas numuru zemāk redzamajā tabulā. Izstrādājuma dati jānorāda, vērsoties mūsu pārstāvniecībā vai servisā.

##### Izstrādājuma dati

Tips:	TE 2-A22
Paaudze:	02
Sērijas Nr.:	

#### 1.5 Atbilstības deklarācija

Uzņemoties pilnu atbildību, mēs apliecinām, ka šeit aprakstītais izstrādājums atbilst šādām direktīvām un standartiem: Atbilstības deklarācijas attēls ir atrodams šīs dokumentācijas beigās.

Tehniskā dokumentācija ir saglabāta šeit:

**Hilti** Entwicklungsgesellschaft mbH | Zulassung Geräte | Hiltistraße 6 | 86916 Kaufering, DE

## 2 Drošība

### 2.1 Vispārīgi drošības norādījumi par darbu ar elektroiekārtām

**⚠ BRĪDINĀJUMS!** Izlasiet visus drošības norādījumus un instrukcijas. Šeit izklāstīto drošības norādījumu un instrukciju neievērošana var izraisīt elektrošoku, ugunsgrēku un/vai nopietnas traumas.

Saglabājiet visus drošības norādījumus un instrukcijas turpmākai lietošanai.

#### Drošība darba vietā

- **Uzturiet darba vietā tīrību un kārtību un nodrošiniet labu apgaismojumu.** Nekārtīgā darba vietā vai sliktā apgaismojumā var viegli notikt nelaimes gadījums.
- **Nestrādājiet ar elektroiekārtu sprādzienbīstamā vidē, kur atrodas uzliesmojoši šķidrumi, gāzes vai putekļi.** Darbības laikā elektroiekārta mēdz dzirkstēlot, un tas var izraisīt viegli degošu putekļu vai tvaiku aizdegšanos.



- ▶ **Lietojot elektroiekārtu, neļaujiet nepiederošām personām un jo īpaši bērniem tuvoties darba vietai.** Citu personu klātbūtne var novērst uzmanību, un tā rezultātā jūs varat zaudēt kontroli pār iekārtu.

### Elektrodrošība

- ▶ **Darba laikā nepieskarieties sazemētiem priekšmetiem, piemēram, caurulēm, radiatoriem, plītim un ledusskapjiem.** Pieskaroties sazemētām virsmām, pieaug risks saņemt elektrisko triecienu.
- ▶ **Nelietojiet elektroiekārtu lietus laikā, neturiet to mitrumā.** Mitrumam iekļūstot elektroiekārtā, pieaug risks saņemt elektrisko triecienu.

### Personiskā drošība

- ▶ **Strādājot ar elektroiekārtu, esiet uzmanīgi, pievērsiet uzmanību tam, ko jūs darāt un rīkojieties saprātīgi.** Ar elektroiekārtu nedrīkst strādāt personas, kas ir nogurušas vai atrodas narkotiku, alkohola vai medikamentu ietekmē. Mirklis neuzmanības darbā ar elektroiekārtu var novest pie nopietnām traumām.
- ▶ **Izmantojiet individuālos aizsardzības līdzekļus un darba laikā vienmēr nēsājiet aizsargbrilles.** Individuālo aizsardzības līdzekļu (putekļu aizsargmaskas, neslidošu apavu un aizsargķiveres vai ausu aizsargu) lietošana atbilstoši elektroiekārtas tipam un veicamā darba raksturam ļauj izvairīties no savainojumiem.
- ▶ **Nepieļaujiet iekārtas nekontrolētas ieslēgšanās iespēju.** Pirms akumulatora pievienošanas, elektroiekārtas satveršanas vai pārvietošanas pārliecinieties, ka tā ir izslēgta. Ja iekārtas pārvietošanas laikā pirksts atrodas uz slēdža vai ja ieslēgta iekārta tiek pievienota elektrotīklam, var notikt nelaimes gadījums.
- ▶ **Pirms elektroiekārtas ieslēgšanas jānoņem visi regulēšanas piederumi un uzgriežņu atslēgas.** Regulēšanas piederumi vai uzgriežņu atslēga, kas iekārtas ieslēgšanas brīdī atrodas iekārtā, var radīt traumas.
- ▶ **Izvairieties no nedabiskām pozām.** Darba laikā vienmēr saglabājiet līdzsvaru un nodrošinieties pret paslīdēšanu. Tas atvieglos elektroiekārtas vadību neparedzētās situācijās.
- ▶ **Izvēlieties darbam piemērotu apģērbu.** Darba laikā nenēsājiet brīvi plandošas drēbes un rotaslietas. **Netuviniet matus, apģērbu un aizsargcimdus iekārtas kustīgajām daļām.** Vaļiņas drēbes, rotaslietas un garī mati var ieķerties iekārtas kustīgajās daļās.
- ▶ **Ja elektroiekārtas konstrukcija ļauj pievienot putekļu nosūkšanas vai savākšanas ierīci, sekojiet, lai tā būtu pievienota un tiktu darbināta pareizi.** Putekļu nosūcēja lietošana samazina putekļu kaitīgo ietekmi.

### Elektroiekārtas lietošana un apkope

- ▶ **Nepārslodojiet elektroiekārtu.** Katram darbam izvēlieties piemērotu iekārtu. Elektroiekārta darbosies labāk un drošāk pie nominālās slodzes.
- ▶ **Nelietojiet elektroiekārtu, ja ir bojāts tās slēdzis.** Elektroiekārta, ko nevar ieslēgt un izslēgt, ir bīstama un nekavējoties jānodod remontā.
- ▶ **Izņemiet no iekārtas akumulatoru, pirms iestatījumu veikšanas, aprikojuma daļu nomainīšanas vai iekārtas novietošanas glabāšanā.** Šādi jūs novērsīsiet elektroiekārtas nejaušas ieslēgšanās risku.
- ▶ **Elektroiekārtu, kas netiek darbināta, uzglabājiet piemērotā vietā.** Neļaujiet lietot iekārtu personām, kas nav iepazinušas ar tās funkcijām un izlasījušas šo lietošanas instrukciju. Ja elektroiekārtu lieto nekompetentas personas, tas var apdraudēt cilvēku veselību.
- ▶ **Rūpīgi veiciet elektroiekārtu apkopi.** Pārbaudiet, vai kustīgās daļas darbojas bez traucējumiem un neķeras un vai kāda no daļām nav salauzta vai bojāta un tādējādi netraucē elektroiekārtas nevainojamu darbību. Raugieties, lai pirms iekārtas lietošanas tiktu nomainītas vai saremontētas bojātās daļas. Daudzi nelaimes gadījumi notiek tāpēc, ka elektroiekārtām nav nodrošināta pareiza apkope.
- ▶ **Griezējinstrumentiem vienmēr jābūt uzasinātiem un tīriem.** Rūpīgi kopti griezējinstrumenti ar asām šķautnēm retāk iestrēgst un ir vieglāk vadāmi.
- ▶ **Lietojiet elektroiekārtu, piederumus, maināmos instrumentus utt. saskaņā ar šiem norādījumiem.** Jāņem vērā arī konkrētie darba apstākļi un veicamās operācijas īpatnības. Elektroiekārtu lietošana citiem mērķiem, nekā to ir paredzējis ražotājfirma, ir bīstama un var izraisīt neparedzamas sekas.

### Ar akumulatoru darbināmas iekārtas lietošana un apkope

- ▶ **Akumulatora uzlādei jālieto tikai ražotāja ieteiktie lādētāji.** Noteikta veida akumulatoriem paredzēts lādētājs kļūst ugunsbīstams, ja to izmanto ar cita veida akumulatoriem.
- ▶ **Izmantojiet elektroiekārtas barošanai tikai tai paredzētos akumulatorus.** Cita tipa akumulatoru lietošana var izraisīt iekārtas un/vai akumulatora aizdegšanos.
- ▶ **Laikā, kad akumulators ir atvienots no iekārtas, nepieļaujiet tā kontaktu saskaršanos ar saspurdēm, monētām, atslēgām, naglām, skrūvēm vai citiem nelieliem metāla priekšmetiem, kas varētu**



**izraisīt īssavienojumu.** Ja starp akumulatora kontaktiem rodas īssavienojums, tas var sadegt vai kļūt par ugunsgrēka cēloni.

- ▶ **Nepareizi lietojot akumulatoru, no tā var izplūst šķidrums. Nepieļaujiet tā nokļūšanu uz ādas.** No akumulatora izplūdušais šķidrums var izraisīt ādas kairinājumu vai pat apdegumus. Ja tas tomēr nejauši ir noticis, noskalojiet ar ūdeni. Ja šķidrums iekļūst acīs, izskalojiet acis un nekavējoties griezieties pie ārsta.

### **Serviss**

- ▶ **Uzdodiet elektroiekārtas remontu veikt tikai kvalificētam personālam, kas izmanto vienīgi oriģinālās rezerves daļas.** Tikai tā ir iespējams saglabāt elektroiekārtas funkcionālo drošību.

## **2.2 Papildnorādījumi par perforatora drošību**

### **Personīgā drošība**

- ▶ Lietojiet izstrādājumu tikai tad, ja tas ir tehniski nevainojamā stāvoklī.
- ▶ Nekādā gadījumā nemēģiniet ietekmēt iekārtas funkcijas vai to pārveidot.
- ▶ Lietojiet kopā ar iekārtu piegādātos papildu rokturus. Kontroles zudums var kļūt par cēloni traumām.
- ▶ Pirms laušanas vai urbšanas darbiem, kas šķērso celtnes daļas, atbilstoši jānodrošina attiecīgās celtnes daļas pretējā puse. Atlūzuši materiāla fragmenti var izkrist caur atveri un/vai nokrist un savainot cilvēkus.
- ▶ Vienmēr turiet iekārtu ar abām rokām aiz tam paredzētajiem rokturiem. Raugieties, lai rokturi vienmēr būtu sausi un tīri.
- ▶ Ja darba laikā pastāv iespēja, ka instruments var nonākt saskarē ar aplsēptiem elektriskajiem vadiem, vienmēr satveriet iekārtu aiz izolētajām rokturu virsmām. Saskaņoties ar spriegumam pieslēgtiem vadiem, spriegums tiek novadīts uz iekārtas metāla daļām, radot elektrošoka risku.
- ▶ Izvairieties no saskares ar rotējošām daļām. Traumu risks!
- ▶ Iekārtas lietošanas laikā valkājiet piemērotas aizsargbrilles, aizsargķiveri, ausu aizsargus, kā arī vieglu elpceļu aizsardzības aprīkojumu.
- ▶ Arī instrumenta maiņas laikā valkājiet aizsargcimdus. Saskaņā ar maināmo instrumentu var izraisīt grieztas traumas un apdegumus.
- ▶ Valkājiet aizsargbrilles vai masku. Materiāla šķembas var savainot ķermeni un acis.
- ▶ Pirms darba sākšanas noskaidrojiet darba laikā radušos putekļu bīstamības kategoriju. Lietojiet celtniecības putekļsūcēju ar oficiālas sertifikācijas ietvaros piešķirtu drošības klasifikāciju, kas atbilst vietējiem putekļu ietekmes ierobežošanas normatīviem. Puteklī, ko rada tādi materiāli kā, piemēram, svīnu saturoša krāsa, dažādi koksnes veidi, betons / mūris / kvarcu saturoši akmeņi, minerāli un metāls, var būt kaitīgi veselībai.
- ▶ Nodrošiniet darba vietā labu ventilāciju un, ja nepieciešams, valkājiet elpceļu aizsargmasku, kas aizsargā pret attiecīgā veida putekļiem. Saskaņā ar šiem putekļiem vai to ieelpošana var izraisīt lietotāja vai citu tuvumā esošo personu alerģiskas reakcijas un/vai elpceļu saslimšanas. Noteikti putekļu veidi, piemēram, ozola un skābarža koksnes puteklī, tiek uzskatīti par kancerogēniem – sevišķi kopā ar kokapstrādē izmantojamām vielām (hromātiem, koksnes aizsarglīdzekļiem). Azbestu saturošus materiālus drīkst apstrādāt tikai kompetenti speciālisti.
- ▶ Darba pārtraukumos veiciet pirkstu vingrinājumus, kas uzlabo asinsriti. Ilgstoša darba gadījumā vibrācija var radīt traucējumus pirkstu, roku vai plaukstu locītavu asinsvadu un nervu sistēmas funkcijās.

### **Elektrodrošība**

- ▶ Pirms darba sākšanas pārbaudiet, vai darba zonā neatrodas neseģti elektrības vadi, gāzes vai ūdensapgādes caurules. Nejauši sabojājot zem sprieguma esošus vadus, iekārtas ārējās metāla daļas var izraisīt elektrošoku.

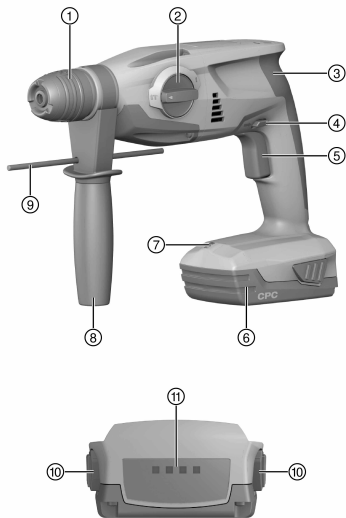
### **Rūpīga elektroiekārtu lietošana un apkope**

- ▶ Nekavējoties izslēdziet elektroiekārtu, ja nobloķējas instruments. Iekārta var tikt novirzīta uz sāniem.
- ▶ Nekad nenolieciet elektroiekārtu, kamēr nav pilnībā apstājusies tajā nostiprinātā instrumenta kustība.



### 3 Apraksts

#### 3.1 Izstrādājuma pārskats



- ① Instrumenta patrona TE-C Click
- ② Funkcijas izvēles slēdzis
- ③ Rokturis
- ④ Labā / kreisā rotācijas virziena slēdzis ar ieslēgšanas bloķēšanu
- ⑤ Vadības slēdzis
- ⑥ Akumulators
- ⑦ Darba zonas apgaismojums
- ⑧ Sānu rokturis
- ⑨ Dziļuma atduris
- ⑩ Atbloķēšanas taustiņi ar papildu funkciju – uzlādes statusa indikācijas aktivēšanu
- ⑪ Akumulatora uzlādes statusa indikācija

#### 3.2 Nosacījumiem atbilstīga lietošana

Aprakstītais izstrādājums ir perforators ar akumulatora barošanu. Tas ir paredzēts urbšanai tēraudā, kokā un mūrī, triecienurbšanai betonā un mūrī, kā arī skrūvju ieskrūvēšanai un izskrūvēšanai.

- Lietojiet šī izstrādājuma barošanai tikai sērijas B 22 **Hilti** litija jonu akumulatorus.
- Lietojiet šo akumulatoru uzlādēšanai tikai **Hilti** apstiprinātus lādētājus. Sīkāku informāciju jūs atradīsiet savā **Hilti Store** vai tīmekļvietnē [www.hilti.group](http://www.hilti.group).

#### 3.3 Litija jonu akumulatora indikācija

Lietojot litija jonu akumulatoru, uzlādes statusu iespējams apskatīties, īsi nospiežot vienu no atbloķēšanas taustiņiem.

Stavuss	Nozīme
Deg 4 LED.	Uzlādes stavuss: no 75 % līdz 100 %
Deg 3 LED.	Uzlādes stavuss: no 50 % līdz 75 %
Deg 2 LED.	Uzlādes stavuss: no 25 % līdz 50 %
1 LED deg.	Uzlādes stavuss: no 10 % līdz 25 %
1 LED mirgo.	Uzlādes stavuss: < 10 %

Darba laikā un uzreiz pēc tā pabeigšanas uzlādes statusa nolasīšana nav iespējama. Ja mirgo akumulatora uzlādes statusa indikācijas LED, lūdzu, ievērojiet nodaļas norādījumus "Traucējumu diagnostika".

#### 3.4 Piegādes komplektācija

Perforators, sānu rokturis, dziļuma atdure, lietošanas instrukcija.



Putekļu nosūkšanas modulis TE DRS-S tiek piedāvāti kā papildaprīkojums, lai mazinātu putekļu izplatīšanos darba laikā.

Citus šim izstrādājumam izmantojamus sistēmas produktus meklējiet **Hilti Store** vai tīmekļvietnē: [www.hilti.group](http://www.hilti.group)

## 4 Tehniskie parametri

### 4.1 Perforators

	TE 2-A22
Nominālais spriegums	21,6 V
Svars saskaņā ar EPTA Procedure 01, ar akumulatoru B228.0	3,3 kg
Urbšanas diapazons betonā/mūrī (urbšana ar triecienu funkciju)	4 mm ... 16 mm
Urbuma izmēri metālā (bezserdes urbums)	0 mm ... 10 mm
Dziļuma atdures maksimālais garums	180 mm

### 4.2 Informācija par troksni un svārstībām

Šajās instrukcijās norādītie lielumi, kas raksturo skaņas spiedienu un vibrāciju, ir noteikti ar standartizētas mērījumu metodes palīdzību, un tos var izmantot elektroiekārtu savstarpējai salīdzināšanai. Tos var izmantot arī trokšņa un vibrācijas iedarbības pagaidu novērtējumam. Norādītie parametri attiecas uz elektroiekārtas galvenajiem lietošanas veidiem. Taču, ja elektroiekārta tiek izmantota citos nolūkos, ar citiem maināmajiem instrumentiem vai netiek nodrošināta pietiekama tās apkope, parametri var atšķirties no norādītajiem. Tas var ievērojami palielināt trokšņa un vibrācijas iedarbību visā darba laikā. Lai precīzi novērtētu iedarbību, jāņem vērā arī laiks, cik ilgi iekārta ir izslēgta vai ir ieslēgta, taču faktiski netiek darbināta. Tas var būtiski samazināt iedarbību kopējā darba laikā. Jāparedz papildu drošības pasākumi, lai aizsargātu iekārtas lietotāju pret trokšņa un/vai vibrācijas iedarbību, piemēram, elektroiekārtas un maināmo instrumentu apkope, roku turēšana siltumā, darba procesu organizācija.

Skaņas emisijas parametri noteikti saskaņā ar EN 60745

Skaņas jaudas līmenis ( $L_{WA}$ )	103 dB(A)
Skaņas jaudas līmeņa pielāide ( $K_{WA}$ )	3 dB(A)
Skaņas spiediena līmenis ( $L_{pA}$ )	92 dB(A)
Skaņas spiediena līmeņa pielāide ( $K_{pA}$ )	3 dB(A)

Kopējie svārstību rādītāji (trīs virzienu vektoru summa), noteikti saskaņā ar EN 60745

Triecienuurbšana betonā ( $a_{h, HD}$ )	15 m/s <sup>2</sup>
Urbšana metālā ( $a_{h, D}$ )	2,5 m/s <sup>2</sup>
Iespējamā kļūda (K)	1,5 m/s <sup>2</sup>

### 4.3 Akumulators

Akumulatora darba spriegums	21,6 V
Apkārtējā temperatūra darbības laikā	-17 °C ... 60 °C
Uzglabāšanas temperatūra	-20 °C ... 40 °C
Akumulatora temperatūra uzlādes sākumā	-10 °C ... 45 °C

## 5 Lietošana

### 5.1 Sagatavošanās darbam

#### IEVĒROT PIESARDZĪBU!

Traumu risks nejaušas iedarbošanās gadījumā!

- ▶ Pirms akumulatora ievietošanas pārliecinieties, ka attiecīgais izstrādājums ir izslēgts.
- ▶ Pirms iekārtas iestatīšanas vai piederumu nomaiņas izņemiet no iekārtas akumulatoru.

Ievērojiet drošības norādījumus un brīdinājumus, kas atrodami šajā dokumentācijā un uz izstrādājuma.



### 5.1.1 Sānu roktura montāža

1. Pagrieziet rokturi, lai atbrīvotu sānu roktura turētāju (fiksācijas lenti).
2. No priekšpuses uzbīdīet turētāju (fiksācijas lenti) pāri instrumenta patronai līdz tam paredzētajai rievai.
3. Novietojiet sānu rokturi nepieciešamajā pozīcijā.
4. Pagrieziet rokturi, lai nospriegotu sānu roktura turētāju (fiksācijas lenti).

### 5.1.2 Akumulatora ievietošana

1. Ievietojiet akumulatoru iekārtas stiprinājumā, līdz tas dzirdami nofiksējas.
2. Pārbaudiet, vai akumulators ir droši nofiksēts.

### 5.1.3 Akumulatora izņemšana

1. Nospiediet akumulatora atbloķēšanas taustiņus.
2. Izvelciet akumulatoru virzienā uz aizmuguri.

### 5.1.4 Maināmā instrumenta ievietošana

1. Viegli ieziediet maināma instrumenta gaļu ar smērvielu.
  - ▶ Lietojiet tikai oriģinālās Hilti smērvielas. Neatbilstīgas smērvielas var izraisīt iekārtas bojājumus.
2. Līdz galam ievietojiet maināmo instrumentu patronā un ļaujiet tam nofiksēties.
3. Pēc instrumenta ievietošanas pavelciet to, lai pārbaudītu, vai tas ir droši nofiksēts.
  - ▶ Izstrādājums ir gatavs lietošanai.

### 5.1.5 Maināmā instrumenta izņemšana

#### BRĪDINĀJUMS!

**Traumu risks!** Lietošanas laikā instruments sakarst.

- ▶ Instrumenta nomaiņas laikā valkājiet aizsargcimdus.

- ▶ Līdz galam atvelciet maināmā darba instrumenta fiksācijas patronu un izņemiet instrumentu.

### 5.1.6 Dziļuma atdures (papildaprīkojums) montāža

1. Pagrieziet rokturi, lai atbrīvotu sānu roktura turētāju (fiksācijas lenti).
2. No priekšpuses iebīdīet dziļuma atduri šim nolūkam paredzētajās 2 vadotnes atverēs.
3. Pagrieziet rokturi, lai nospriegotu sānu roktura turētāju (fiksācijas lenti).

## 5.2 Darbs

#### UZMANĪBU!

**Bojājumu risks nepareizas lietošanas gadījumā!**

- ▶ Nepārslēdziet rotācijas virziena un/vai funkciju izvēles slēdzi laikā, kad iekārta darbojas.

Ievērojiet drošības norādījumus un brīdinājumus, kas atrodami šajā dokumentācijā un uz izstrādājuma.

### 5.2.1 Darba vietas apgaismojums



LED automātiski ieslēdzas, kad tiek nospiests vadības slēdzis. Pēc vadības slēdža atlaišanas LED apgaismojums lēnām izdziest.

- ▶ Nospiediet vadības slēdzi.

### 5.2.2 Rotācijas virziens

- ▶ Iestatiet rotācijas virzienu.
  - ▶ Slēdzis nofiksējas šādā pozīcijā.

### 5.2.3 Urbšana bez triecienu funkcijas

- ▶ Iestatiet funkciju pārslēdzēju uz šādu simbolu:

### 5.2.4 Urbšana ar triecienu funkciju

- ▶ Iestatiet funkciju pārslēdzēju uz šādu simbolu:



## 6 Apkope un uzturēšana

### 6.1 Apkope un uzturēšana

#### **BRĪDINĀJUMS!**

**Traumu risks ievietota akumulatora gadījumā !**

► Pirms jebkādiem apkopes un tehniskā stāvokļa uzturēšanas darbiem vienmēr izņemiet akumulatoru!

#### **Iekārtas apkope**

- Uzmanīgi notīriet pielipušos netīrumus.
- Uzmanīgi iztīriet ventilācijas atveres ar sausu birstīti.
- Korpusa tīrīšanai jālieto tikai nedaudz samitrināta drāniņa. Nedrīkst lietot silikonu saturošus kopšanas līdzekļus, kas var sabojāt plastmasas daļas.

#### **Litija jonu akumulatoru apkope**

- Raugieties, lai akumulators ir tīrs un nebūtu savārtīts ar eļļu un smērvielām.
- Korpusa tīrīšanai jālieto tikai nedaudz samitrināta drāniņa. Nedrīkst lietot silikonu saturošus kopšanas līdzekļus, kas var sabojāt plastmasas daļas.
- Nepieļaujiet mitruma iekļūšanu.

#### **Uzturēšana**

- Regulāri pārbaudiet visas redzamās daļas, lai pārliecinātos, ka tās nav bojātas un funkcionē nevainojami.
- Bojājumu un/vai funkciju traucējumu gadījumā izstrādājumu nedrīkst lietot. Tas nekavējoties jānodod **Hilti**, lai veiktu remontu.
- Pēc apkopes un remonta darbiem visas aizsargierīces jāpiemontē vietā un jāpārbauda, vai tās darbojas.



Lai iekārtas lietošana būtu droša, izmantojiet tikai oriģinālās rezerves daļas un patēriņa materiālus. Rezerves daļas un patēriņa materiālus, kuru lietošanu kopā ar šo iekārtu mēs akceptējam, var atrast **Hilti Store** vai tīmekļvietnē. [www.hilti.group](http://www.hilti.group).

### 6.2 Putekļu aizsarga tīrīšana

- Putekļu aizsargs, kas atrodas pie instrumenta patronas, jānotīra ar tīru un sausu drāniņu.
- Blīvējuma apmale uzmanīgi jānotīra un viegli jāieziež ar **Hilti** smērvielu.
- Ja blīvējuma apmale ir bojāta, putekļu aizsargs obligāti jānomaina.

## 7 Transportēšana un uzglabāšana

### 7.1 Ar akumulatoru darbināmo iekārtu transportēšana un uzglabāšana

#### **Transportēšana**

#### **IEVĒROT PIESARDZĪBU!**

**Nekontrolēta iedarbošanās transportēšanas laikā !**

- Pirms iekārtu transportēšanas vienmēr izņemiet no tām akumulatorus!
- Izņemiet akumulatorus.
- akumulatorus nekādā gadījumā nedrīkst transportēt nostiprinātā veidā, sabērtus kaudzēs.
- Pirms atsākt iekārtas un akumulatoru lietošanu pēc ilgākas transportēšanas, pārbaudiet, vai tie nav bojāti.

#### **Uzglabāšana**

#### **IEVĒROT PIESARDZĪBU!**

**Neparedzami bojājumi bojātu vai izplūdušu akumulatoru dēļ !**

- Pirms iekārtu novietošanas glabāšanā vienmēr izņemiet no tām akumulatorus!
- Iekārta un akumulatori jāglabā pēc iespējas vēsā un sausā vietā.
- Nekādā gadījumā neglabājiet akumulatorus augstā temperatūrā, tiešos saules staros vai aiz stikla.
- Glabājiet iekārtu un akumulatorus vietā, kas nav pieejama bērniem un nepiederošām personām.
- Pirms atsākt iekārtas un akumulatoru lietošanu pēc ilgās uzglabāšanas, pārbaudiet, vai tie nav bojāti.





## 8 Traucējumu diagnostika



### 8.1 Traucējumu novēršana

Ja iekārtas darbībā ir radušies traucējumi, kas nav uzskaitīti šajā tabulā vai ko jums neizdodas novērst saviem spēkiem, lūdzu, meklējiet palīdzību mūsu **Hilti** servisā.

### 8.2 Perforators nav gatavs darbam

Traucējums	Iespējamais iemesls	Risinājums
Perforators neiedarbojas.	Perforators ir pārslēgots.	► Izslēdziet perforatoru, izņemiet no tā akumulatoru un pārtrauciet perforatora lietošanu.
LED indikācijas nav.	Akumulators nav pilnībā iebīdīts.	► Nofiksējiet akumulatoru ar sadzirdamu, divkāršu klikšķi.
	Akumulators ir izlādējies.	► Nomainiet akumulatoru un uzlādējiet tukšo akumulatoru.
	Akumulators ir pārāk auksts vai pārāk karsts.	► Nodrošiniet ieteicamo akumulatora darba temperatūru.
1 LED mirgo.	Akumulators ir izlādējies.	► Nomainiet akumulatoru un uzlādējiet tukšo akumulatoru.
	Akumulators ir pārāk auksts vai pārāk karsts.	► Nodrošiniet ieteicamo akumulatora darba temperatūru.
4 LED mirgo.	Perforators ir īslaicīgi pārslēgots.	► Atlaidiet vadības slēdzi un pēc tam nospiediet to vēlreiz.
	Termiskā aizsardzība.	► Ļaujiet perforatoram atdzist un iztīriet ventilācijas atveres.

### 8.3 Perforators ir gatavs darbam

Traucējums	Iespējamais iemesls	Risinājums
Nav triecienu funkcijas.	Perforators ir pārāk auksts.	► Novietojiet perforatoru uz virsmas un neilgu laiku padarbinot to tukšgaitā. Ja nepieciešams atkārtojiet šo procesu, līdz triecienu mehānisms iedarbojas.
	Funkciju pārslēdzējs pozīcijā "Urbšana bez triecienu funkcijas"  .	► Novietojiet funkciju pārslēdzēju pozīcijā "Triecienurbšana"  .
Vadības slēdzi nav iespējams nospiegt, respektīvi, tas ir nobloķēts.	Labā / kreisā rotācijas virziena slēdzis vidējā pozīcijā.	► Pārvietojiet labā / kreisā rotācijas virziena pārslēdzēju pa labi vai pa kreisi.
Iekārtas vārpsta negriežas.	Pārsniegta perforatora elektronikas pieļaujamā darba temperatūra.	► Ļaujiet perforatoram atdzist.
	Akumulators ir izlādējies.	► Nomainiet akumulatoru un uzlādējiet tukšo akumulatoru.
Perforators automātiski izslēdzas.	Neiedarbojas aizsardzība pret pārslodzi.	► Atlaidiet vadības slēdzi. Ļaujiet perforatoram atdzist. Vēlreiz nospiediet vadības slēdzi. Samaziniet iekārtas slodzi.
Akumulators izlādējas ātrāk nekā parasti.	Akumulatora stāvoklis nav optimāls.	► Nomainiet akumulatoru.
Akumulators nenofiksējas ar sadzirdamu, divkāršu klikšķi.	Netīri akumulatora fiksācijas izciļņi.	► Notīriet fiksācijas mēlītes un nofiksējiet akumulatoru no jauna.
Perforators vai akumulators spēcīgi sakarst.	Elektrisks defekts.	► Nekavējoties izslēdziet perforatoru. Izņemiet akumulatoru un vērojiet to. Ļaujiet tam atdzist. Vērsieties <b>Hilti</b> servisā.



Traucējums	Iespējamais iemesls	Risinājums
Perforators vai akumulators spēcīgi sakarst.	Perforators ir pārslógots (pārsniegta ekspluatācijas robežvērtības).	▶ Izvēlieties veicamajam darbam atbilstīgu iekārtu.
Instrumentu nevar atbrīvoj no fiksācijas.	Patronas fiksācija nav pilnībā atvilkta atpakaļ.	▶ Līdz galam atvelciet instrumenta fiksācijas patronu un izņemiet instrumentu.
Instrument negriež materiālu.	Ieslēgts kreisais rotācijas virziens.	▶ Labā / kreisā rotācijas virziena pārslēgšana uz labo.

## 9 Nokalpojušo iekārtu utilizācija

**Hilti** iekārtu izgatavošanā tiek izmantoti galvenokārt otrreiz pārstrādājami materiāli. Priekšnosacījums otrreizējai pārstrādei ir atbilstoša materiālu šķirošana. Daudzās valstīs **Hilti** pieņem nolietotās iekārtas otrreizējai pārstrādei. Lai saņemtu vairāk informācijas, vērsieties **Hilti** servisā vai pie sava pārdošanas konsultanta.



- ▶ Neizmetiet elektroiekārtas, elektroniskas ierīces un akumulatorus sadzīves atkritumos!

## 10 Ražotāja garantija

- ▶ Ar jautājumiem par garantijas nosacījumiem, lūdzu, vērsieties pie vietējā **Hilti** partnera.

# Originali naudojimo instrukcija

## 1 Dokumentu duomenys

### 1.1 Apie šią instrukciją

- Prieš pradėdami eksploatuoti, perskaitykite šią instrukciją. Tai yra saugaus darbo ir patikimo naudojimo sąlyga.
- Laikykites šioje instrukcijoje ir ant prietaiso pateiktų saugos nurodymų ir įspėjimų.
- Šią naudojimo instrukciją visada laikykite kartu su prietaisu, prietaisą kitiems asmenims perduokite tik kartu su šia instrukcija.

### 1.2 Ženklų paaiškinimas

#### 1.2.1 Įspėjantieji nurodymai

Įspėjantieji nurodymai įspėja apie pavojus, gresiančius eksploatuojant prietaisą. Naudojami tokie signaliniai žodžiai:

#### PAVOJUS

##### PAVOJUS !

- ▶ Šis žodis vartojamas norint įspėti apie tiesiogiai gresiantį pavojų, kurio pasekmės yra sunkūs kūno sužalojimai arba žūtis.

#### ĮSPĖJIMAS

##### ĮSPĖJIMAS !

- ▶ Šis žodis vartojamas norint įspėti apie galimai gresiantį pavojų, kurio pasekmės gali būti sunkūs kūno sužalojimai arba žūtis.

#### ATSARGIAI

##### ATSARGIAI !

- ▶ Šis žodis vartojamas potencialiai pavojingai situacijai žymėti, kai yra lengvo kūno sužalojimo arba materialinių nuostolių grėsmė.



### 1.2.2 Instrukcijoje naudojami simboliai

Šioje instrukcijoje naudojami tokie simboliai:

	Prieš naudojant, perskaityti instrukciją
	Naudojimo nurodymai ir kita naudinga informacija
	Rodo, kad juo paženklintą medžiagą galima perdirbti
	Elektrinių prietaisų ir akumuliatorių nemesti į buitinius šiukšlynus

### 1.2.3 Iliustracijose naudojami simboliai

Iliustracijose naudojami šie simboliai:

	Šis skaitmenys nurodo atitinkamą iliustraciją šios instrukcijos pradžioje
3	Numeravimas nurodo darbinių veiksmų eiliškumą paveikslėlyje ir gali skirtis nuo tekste pateikto darbinių veiksmų numeravimo
	Pozicijų numeriai naudojami paveikslėlyje <b>Apžvalga</b> – jie nurodo skyrelyje <b>Prietaiso vaizdas</b> esančių paaiškinimų numerius
	Šiuo ženklu siekiama atkreipti ypatingą dėmesį į naudojamą šiuo prietaisu.

## 1.3 Specifiniai prietaiso simboliai

### 1.3.1 Simboliai ant prietaiso

Ant prietaiso gali būti naudojami šie simboliai:

	Grėžimas be smūgiavimo
	Grėžimas smūgiuojant (smūginis grėžimas)
	Dešininis / kairinis sukimasis
$n_0$	Nominalus tuščiosios eigos sukimosi greitis
/min	Apsisukimai per minutę
	Nuolatinė srovė
Li-Ion	Ličio jonų akumulatorius
	Naudotas <b>Hilti</b> serijos ličio jonų akumulatorius. Atkreipkite dėmesį į duomenis skyriuje <b>Naudojimas pagal paskirtį</b> .
	Niekada nenaudokite akumulatoriaus kaip smūginio įrankio.
	Saugokite, kad akumulatorius nenukristų. Nenaudokite akumulatoriaus, kuris buvo sutrenktas arba kaip nors kitaip pažeistas.
	Prietaisas palaiko NFC technologiją, suderinamą su „iOS“ ir „Android“ platformomis.

### 1.4 Informacija apie prietaisą

**HILTI** gaminiai yra skirti profesionalams, todėl juos naudoti, techniškai prižiūrėti ir remontuoti leidžiama tik įgaliotam instruktuiotam personalui. Šis personalas turi būti supažindintas su visais galimais pavojais. Neapmokyto personalo, netinkamai arba ne pagal paskirtį naudojamas prietaisas ir jo reikmenys gali kelti pavojų.

Tipas ir serijos numeris yra nurodyti firminėje duomenų lentelėje.



2023934

- ▶ Serijos numerį perkelkite į toliau nurodytą lentelę. Kreipdamiesi su prietaisu susijusiais klausimais į mūsų atstovybę ar techninės priežiūros centrą, visada nurodykite šiuos prietaiso duomenis.

**Prietaiso duomenys**

Tipas:	TE 2-A22
Karta:	02
Serijos Nr.:	

**1.5 Atitikties deklaracija**

Atsakingai pareiškiamo, kad čia yra aprašytas produktas atitinka taikomas direktyvas ir standartus. Atitikties deklaracijos kopiją rasite šio dokumento gale.

Techninė dokumentacija saugoma čia:

Hilti Entwicklungsgesellschaft mbH | Zulassung Geräte | Hiltistraße 6 | 86916 Kaufering, DE

**2 Sauga****2.1 Bendrieji saugos nurodymai dirbantiems su elektriniais įrankiais**

**⚠ [SPĖJIMAS! Perskaitykite visus saugos nurodymus ir instrukcijas.** Šių saugos nurodymų ir instrukcijų nesilaikymas gali tapti elektros smūgio, gaisro ir / arba sunkių sužalojimų priežastimi. Išsaugokite visus saugos nurodymus ir instrukcijas, kad galėtumėte į juos pažvelgti ateityje.

**Sauga darbo vietoje**

- ▶ **Pasirūpinkite, kad darbo vieta visada būtų švari ir gerai apšviesta.** Netvarkinga ar blogai apšviesta darbo vieta gali tapti nelaimingų atsitikimų priežastimi.
- ▶ **Nenaudokite šio elektrinio įrankio sprogioje aplinkoje, kurioje yra degių skysčių, dujų arba dulkių.** Veikiantys elektriniai įrankiai kibirkščiuoja, ir kibirkštys gali uždegti dulkes arba susikaupusius garus.
- ▶ **Dirbdami su elektriniu įrankiu, neleiskite darbo zonoje būti vaikams ir pašaliniais asmenims.** Atitraukę dėmesį nuo darbo, galite nebesuvaldyti prietaiso.

**Apsauga nuo elektros**

- ▶ **Venkite kūno kontakto su žemintais paviršiais, pvz., vamzdžiais, šildytuvais, viryklėmis ir šaldytuvais.** Kai žmogaus kūnas yra žemintas, padidėja elektros smūgio tikimybė.
- ▶ **Saugokite elektrinius įrankius nuo lietaus ir drėgmės.** Į elektrinį įrankį patekus vandens, padidėja elektros smūgio rizika.

**Žmonių sauga**

- ▶ **Dirbdami su elektriniu įrankiu, būkite atidūs, sutelkite dėmesį į darbą ir vadovaukitės sveika nuovoka.** Elektrinio įrankio nenaudokite, jeigu esate pavargę arba apsvaigę nuo narkotinių medžiagų, alkoholio ar vaistų. Neatidumo akimirka dirbant su elektriniu įrankiu gali tapti rimtų sužalojimų priežastimi.
- ▶ **Naudokite asmenines apsaugos priemones ir visuomet užsidėkite apsauginius akinius.** Naudojant asmenines apsaugos priemones, pvz., respiratorių, neslystančius apsauginius batus, apsauginį šalną, ausines ir kt., priklausomai nuo elektrinio įrankio tipo ir naudojimo, mažėja rizika susižaloti.
- ▶ **Saugokitės, kad neįjungtumėte prietaiso atsitiktinai. Prieš įrankį imdami į rankas, nešdami ar dėdami į jį akumuliatorių, įsitinkinkite, kad elektrinis įrankis yra išjungtas.** Jeigu nešdami elektrinį įrankį pirštą laikysite ant jungiklio arba įrankį įjungsitė į elektros tinklą tuomet, kai jungiklis nėra išjungtas, gali įvykti nelaimingas atsitikimas.
- ▶ **Prieš įjungdami elektrinį įrankį, pašalinkite iš jo reguliavimo įrankius ar veržlinius raktus.** Besisukančioje prietaiso dalyje esantis įrankis ar paliktas raktas gali tapti sužalojimų priežastimi.
- ▶ **Venkite nepatogių kūno padėčių. Dirbdami stovėkite tvirtai ir visada išlaikykite kūno pusiausvyrą.** Taip galėsite geriau kontroliuoti elektrinį įrankį netikėtose situacijose.
- ▶ **Vilkėkite tinkamą aprangą. Nevilkėkite plačių drabužių, nesidėkite papuošalų. Saugokite plaukus, drabužius ir pirštines nuo besisukančių prietaiso dalių.** Laisvus drabužius, papuošalus ir ilgus plaukus gali įtraukti besisukančios prietaiso dalys.
- ▶ **Jei yra numatyta galimybė prijungti dulkių nusiurbimo ar surinkimo įrenginius, visada įsitinkinkite, kad jie yra prijungti ir tinkamai naudojami.** Naudojant dulkių nusiurbimo įrenginį, gali sumažėti dulkių keliama grėsmė.

**Elektrinio įrankio naudojimas ir elgesys su juo**

- ▶ **Prietaiso neperkraudkite. Naudokite Jūsų darbui tinkamą elektrinį įrankį.** Su tinkamu elektriniu įrankiu dirbsite geriau ir saugiau, jei neviršysite nurodytos galios.



- ▶ **Nenaudokite elektrinio įrankio su sugedusiu jungikliu.** Elektrinis įrankis, kurio nebegalima įjungti ar išjungti, yra pavojingas ir jį reikia remontuoti.
- ▶ **Prieš atlikdami prietaiso nustatymus, keisdami reikmenis ar padėdami prietaisą į šalį, iš jo išimkite akumuliatorių.** Ši atsargumo priemonė leis išvengti netikėto elektrinio įrankio įsijungimo.
- ▶ **Nenaudojamus elektrinius įrankius saugokite vaikams nepasiekiamoje vietoje. Neleiskite prietaisui naudotis asmenims, kurie nėra su juo susipažinę arba nėra perskaitę šios instrukcijos.** Elektriniai įrankiai yra pavojingi, kai juos naudoja patirties neturintys asmenys.
- ▶ **Elektrinius įrankius rūpestingai prižiūrėkite. Tikrinkite, ar judančios elektrinio įrankio dalys tinkamai funkcionuoja ir niekur neklūva, ar nėra sulūžusių ir pažeistų dalių, kurios blogintų įrankio veikimą. Prieš naudojimą pažeistos prietaiso dalys turi būti suremontuotos.** Blogai prižiūrimi elektriniai įrankiai yra daugelio nelaimingų atsitikimų priežastis.
- ▶ **Pjovimo įrankiai visuomet turi būti aštrūs ir švarūs.** Rūpestingai prižiūrėti pjovimo įrankiai su aštriomis pjovimo briaunomis mažiau stringa ir yra lengviau valdomi.
- ▶ **Elektrinį įrankį, reikmenis, keičiamuosius įrankius ir t. t. naudokite pagal šias instrukcijas. Taip pat atsižvelkite į darbo sąlygas ir atliekamo darbo pobūdį.** Elektrinius įrankius naudojant ne pagal paskirtį, gali kilti pavojingos situacijos.

#### **Akumuliatorinio įrankio naudojimas ir elgesys su juo**

- ▶ **Akumuliatoriams įkrauti naudokite tik tuos kroviklius, kuriuos rekomenduoja gamintojas.** Kroviklį, tinkantį tik nurodytiems akumuliatorių tipams, naudojant kitiems akumuliatoriams įkrauti, kyla gaisro pavojus.
- ▶ **Elektriniuose įrankiuose naudokite tik konkrečiai jiems skirtus akumuliatorius.** Naudojant kitokius akumuliatorius, kyla pavojus susižaloti ir sukelti gaisrą.
- ▶ **Nenaudojamo akumuliatoriaus nelaikykite šalia sąvaržėlių, monetų, raktų, vinių, varžtų ar kitokių smulkių metalinių daiktų, kurie galėtų trumpai sujungti akumuliatoriaus kontaktus.** Trumpai sujungus akumuliatoriaus kontaktus, yra pavojus nusidenginti ar sukelti gaisrą.
- ▶ **Akumuliatorių naudojant netinkamai, iš jo gali ištekėti skystis. Venkite kontakto su šiuo skysčiu.** Akumuliatoriaus skystis gali sudirginti arba chemiškai nudeginti odą. Jei skysčio atsitiktinai pateko ant odos, nuplaukite jį vandeniu. Jei pateko į akis – gerai praplaukite jas vandeniu ir nedelsdami kreipkitės į gydytoją.

#### **Techninė priežiūra**

- ▶ **Savo elektrinį įrankį patikėkite remontuoti tik kvalifikuotam specialistui, tam jis turi naudoti tik originalias atsargines dalis.** Taip galima užtikrinti, kad bus išlaikytas elektrinio įrankio naudojimo saugumas.

## **2.2 Papildomi saugos nurodymai dirbantiems su perforatoriumi**

### **Žmonių sauga**

- ▶ Prietaisą naudokite tik tada, kai jis yra techniškai tvarkingas.
- ▶ Prietaisą draudžiama keisti ar kitaip juo manipuliuoti.
- ▶ Naudokite prietaiso komplekte esančias papildomas rankenas. Prietaisui tapus nebevaldomam, galite susižaloti.
- ▶ Vykdydami sienų ar grindų pragręžimo ar pramušimo klaurai darbus, apsaugokite kitoje pusėje esančią zoną. Gręžimo kernai ar medžiagos skeveldros gali iškristi arba nukristi ir sužaloti kitus žmones.
- ▶ Prietaisą visada laikykite tvirtai, abiem rankomis paėmę už rankenų. Rankenos visada turi būti sausas ir švarios.
- ▶ Vykdydami darbus, kurių metu keičiamasis įrankis gali paliesti paslėptus elektros laidus, prietaisą laikykite paėmę už izoliuotų rankenų paviršių. Dėl kontakto su laidais, kuriais teka elektros srovė, metalinėse prietaiso dalyse taip pat gali atsirasti įtampa, todėl kyla elektros smūgio pavojus.
- ▶ Venkite liesti besisukančias prietaiso dalis – susižalojimo pavojus!
- ▶ Dirbdami su prietaisu, užsidėkite tinkamus apsauginius akinius, apsauginį šalną, ausines, lengvą respiratorių ir mūvėkite apsaugines pirštines.
- ▶ Apsaugines pirštines mūvėkite ir keisdami įrankį. Liesdami keičiamąjį įrankį, galite susipjaustyti ir nusidenginti rankas.
- ▶ Dirbdami užsidėkite akių apsaugos priemonę. Medžiagų skeveldros gali sužaloti odą ir akis.
- ▶ Prieš pradėdami dirbti, nustatykite darbo metu kilsiančių dulkių kenksmingumo klasę. Naudokite licencijuotą statybinį dulkių siurbį, atitinkantį apsaugos klasę pagal vietoje galiojančias apsaugos nuo dulkių normas. Tam tikru medžiagų, pvz., dažų, kuriuose yra švino junginių, kai kurių medienos rūšių, betono / mūro / akmens, kuriuose yra kvarco ir kitų mineralų, taip pat metalo dulkės gali būti sveikatai kenksmingos.



- ▶ Pasirūpinkite, kad darbo vieta būtų gerai vėdinama, ir, jeigu reikia, užsidėkite atitinkamoms dulkėms skirtą kvėpavimo takus saugančią kaukę. Liečiamos ar įkvėptos tokios dulkės darbuotojui ar arti jo esantiems asmenims gali sukelti alergines reakcijas ir / arba kvėpavimo takų susirgimus. Ažuolo arba buko medienos dulkės gali sukelti vėžinius susirgimus, ypač tada, kai buvo naudojami priedai medienai apdoroti (chromatai, medienos konservantai). Medžiagas, kuriose yra asbesto, leidžiama apdoroti tik specialistams.
- ▶ Dirbdami darykite pertraukas ir atpalaidavimo pratimus pirštams, kad pagerėtų kraujotaka. Dirbant ilgesnį laiką, vibracijos gali sukelti pirštų, plaštakos ar riešo sąnario kraujagyslių ar nervų sistemos pažeidimus.

### Apauga nuo elektros

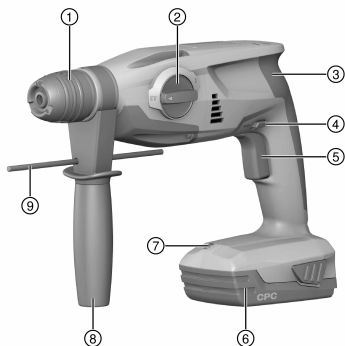
- ▶ Prieš pradėdami dirbti, patikrinkite, ar darbo zonoje nėra paslėptų elektros laidų, dujų ar vandentiekio vamzdžių. Netyčia pažeidus elektros kabelį, išorinėse metalinėse prietaiso dalyse gali atsirasti įtampa, kelianti elektros smūgio pavojų.

### Atsargus elektrinių įrankių naudojimas ir elgesys su jais

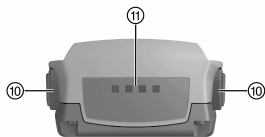
- ▶ Įrankiui užsiblokavus, elektrinį įrankį nedelsdami išjunkite. Prietaisas gali pakrypti į šoną.
- ▶ Prieš elektrinį įrankį padėdami, palaukite, kol jis visiškai sustos.

## 3 Aprašymas

### 3.1 Gaminio vaizdas



- 1 Įrankio griebtuvas TE-C Click
- 2 Funkcijos pasirinkimo jungiklis
- 3 Rankena
- 4 Dešininės / kairinės eigos perjungiklis su įjungimo blokatoriumi
- 5 Valdymo jungiklis
- 6 Akumulatorius
- 7 Šviesos diodas darbo zonai apšviesti
- 8 Šoninė rankena
- 9 Gylio ribotuvai
- 10 Atblokavimo mygtukai su papildoma įkrovos lygio indikatoriumi suaktyvinimo funkcija
- 11 Akumulatoriaus įkrovos lygio indikacija



### 3.2 Naudojimas pagal paskirtį

Aprašytasis prietaisas yra akumuliatorinis perforatorius. Jis yra skirtas plienui, medienai ir mūriui gręžti, betonui ir mūriui gręžti smūginiu būdu, taip pat varžtams įsukti ir atsukti.

- Su šiuo prietaisu naudokite tik B 22 serijos **Hilti** ličio jonų akumulatorius.
- Šiems akumuliatoriams naudokite tik **Hilti** leidžiamus naudoti kroviklius. Daugiau informacijos rasite vietinėje **Hilti Store** arba tinklalapyje [www.hilti.group](http://www.hilti.group).



### 3.3 Ličio jonų akumulatoriaus indikatorius

Dirbant ličio jonų akumulatoriaus įkrovos lygį galima pasižūrėti paspaudus vieną iš atblokovimo mygtukų.

Būsena	Reikšmė
Šviečia 4 diodai.	Įkrovos lygis: nuo 75 iki 100 %
Šviečia 3 diodai.	Įkrovos lygis: nuo 50 iki 75 %
Šviečia 2 diodai.	Įkrovos lygis: nuo 25 iki 50 %
Šviečia 1 diodas.	Įkrovos lygis: nuo 10 iki 25 %
1 šviesos diodas mirksi.	Įkrovos lygis: < 10 %

Dirbant ir iškart po darbo įkrovos lygio įvertinti negalima. Mirksint akumulatoriaus įkrovos lygio indikatoriaus šviesos diodams, laikykitės skyriuje „Sutrikimų paieška“ pateiktų nurodymų.

### 3.4 Tiekiamas komplektas

Perforatorius, šoninė rankena, gylis ribotuvas, naudojimo instrukcija.

Dulkių modulis TE DRS-S siūlomas kaip priedas darbams, kurių metu susidaro mažai dulkių.

Daugiau Jūsų turimam prietaisui skirtų sisteminių reikmenų rasite vietinėje **Hilti Store** arba tinklalapyje [www.hilti.group](http://www.hilti.group)

## 4 Techniniai duomenys

### 4.1 Perforatorius

	TE 2-A22
Nominalioji maitinimo įtampa	21,6 V
Svoris pagal EPTA Procedure 01 su akumulatoriumi B22/8.0	3,3 kg
Betone / mūre gręžiamų skylių skersmuo (smūginis gręžimas)	4 mm ... 16 mm
Metale gręžiamų skylių skersmuo (išstinis grąžtas)	0 mm ... 10 mm
Maksimalus gylis ribotuvo ilgis	180 mm

### 4.2 Informacija apie triukšmą ir vibracijos reikšmės

Šiuose nurodymuose pateiktos garso slėgio ir vibracijos reikšmės yra išmatuotos taikant standartizuotą matavimo metodą ir gali būti naudojamos elektriniams įrankiams palyginti tarpusavyje. Jos taip pat tinka šių veiksmų poveikiui iš anksto įvertinti. Nurodytieji duomenys yra susieti su pagrindinėmis šio elektrinio įrankio naudojimo sritimis. Jeigu elektrinis įrankis bus naudojamas kitaip, su skirtingais keičiamaisiais įrankiais arba bus nepakankamai techniškai prižiūrimas, šie duomenys gali skirtis nuo nurodytųjų. Tai gali gerokai padidinti šių veiksmų poveikį per visą darbo laikotarpį. Norint tiksliai įvertinti poveikį, reikėtų įvertinti ir laiką, kai prietaisas yra išjungtas, arba, nors ir įjungtas, juo faktiškai nedirbama. Toks įvertinimas gali smarkiai sumažinti poveikio per visą darbo laikotarpį reikšmę. Imkitės papildomų saugos priemonių, kad darbuotojas būtų apsaugotas nuo triukšmo ir / arba vibracijos poveikio, pavyzdžiui, reikalaukite tinkamos elektrinio įrankio ir keičiamųjų įrankių techninės priežiūros, pasirūpinkite, kad darbuotojų rankos visada būtų šiltos, užtikrinkite tinkamą darbo organizavimą.

#### Skleidžiamo triukšmo lygis išmatuotas pagal EN 60745

Garso stiprumo lygis ( $L_{WA}$ )	103 dB(A)
Garso stiprumo lygio paklaida ( $K_{WA}$ )	3 dB(A)
Skleidžiamo garso slėgio lygis ( $L_{pA}$ )	92 dB(A)
Garso slėgio lygio paklaida ( $K_{pA}$ )	3 dB(A)

#### Suminės vibracijų reikšmės (vektorinė suma trijose ašyse), nustatytos pagal EN 60745

Betono smūginis gręžimas ( $a_{h,HD}$ )	15 m/s <sup>2</sup>
Metalo gręžimas ( $a_{h,D}$ )	2,5 m/s <sup>2</sup>
Paklaida (K)	1,5 m/s <sup>2</sup>



**4.3 Akumulatorius**

<b>Akumulatoriaus darbinė įtampa</b>	21,6 V
<b>Darbinė aplinkos temperatūra</b>	-17 °C ... 60 °C
<b>Laikymo temperatūra</b>	-20 °C ... 40 °C
<b>Akumulatoriaus temperatūra, kai pradama įkrauti</b>	-10 °C ... 45 °C

**5 Naudojimas****5.1 Pasiruošimas darbui****⚠ ATSAUGIAI****Sužalojimo pavojus dėl atsitiktinio paleidimo!**

- ▶ Prieš įdėdami akumuliatorių, įsitinkite, kad atitinkamas prietaisas yra išjungtas.
- ▶ Prieš nustatydami prietaisą ar keisdami reikmenis, išimkite akumuliatorių.

Laikykites šioje instrukcijoje ir ant prietaiso pateiktų saugos nurodymų ir įspėjimų.

**5.1.1 Šoninės rankenos montavimas 4**

1. Sukdami rankeną, atlaisvinkite šoninės rankenos laikiklį (užspaudimo juosta).
2. Laikiklį (užspaudimo juosta) virš įrankio griebtuvo iš priekio stumkite pirmyn iki jam skirto griovelio.
3. Šoninę rankeną nustatykite į norimą padėtį.
4. Sukdami rankeną, šoninės rankenos laikiklį (užspaudimo juosta) priveržkite.

**5.1.2 Akumulatoriaus įdėjimas 2**

1. Akumuliatorių dėkite į prietaise esantį laikiklį, kol girdimai užsifiksuos.
2. Patikrinkite, ar akumulatorius gerai užfiksuotas prietaise.

**5.1.3 Akumulatoriaus išėmimas 3**

1. Spauskite akumulatoriaus atblokavimo mygtukus.
2. Akumuliatorių išimkite traukdami atgal.

**5.1.4 Keičiamojo įrankio įdėjimas 5**

1. Keičiamojo įrankio kotą šiek tiek patepkite tirštuoju tepalu.
  - ▶ Naudokite tik originalų „Hilti“ tirštąjį tepalą. Netinkamas tepalas gali prietaisui padaryti žalos.
2. Keičiamąjį įrankį įstatykite į įrankio griebtuvą, kol atsirems, ir leiskite užsifiksuoti.
3. Patraukę už įstatyto įrankio patikrinkite, ar jis gerai užsifiksavo.
  - ▶ Prietaisas yra parengtas naudoti.

**5.1.5 Keičiamojo įrankio išėmimas 6****⚠ ĮSPĖJIMAS****Sužalojimo pavojus.** Naudojamas įrankis įkaista.

- ▶ Keisdami įrankį, mūvėkite apsaugines pirštines.

- ▶ Įrankio fiksatorių traukite atgal, kol atsirems, ir keičiamąjį įrankį išimkite.

**5.1.6 Gylio ribotuvo (užsakomas papildomai) montavimas 7**

1. Sukdami rankeną, atlaisvinkite šoninės rankenos laikiklį (užspaudimo juosta).
2. Gylio ribotuvą iš priekio įkiškite į jam skirtas 2 kreipiančiąsias skylės.
3. Sukdami rankeną, šoninės rankenos laikiklį (užspaudimo juosta) priveržkite.

**5.2 Darbas****⚠ DĖMESIO****Galima žala dėl netinkamo naudojimo!**

- ▶ Tuo metu, kai įrankis veikia, sukimosi krypties ir / arba funkcijos pasirinkimo jungiklių nejudinkite!





Laikykites šioje instrukcijoje ir ant prietaiso pateiktų saugos nurodymų ir įspėjimų.

### 5.2.1 Darbo vietos apšvietimas



Spaudžiant valdymo jungiklį, šviesos diodas įsijungia automatiškai. Valdymo jungiklį atleidus, šviesos diodas lėtai užgesa.

- ▶ Paspauskite valdymo jungiklį.

### 5.2.2 Sukimosi kryptis

- ▶ Nustatykite sukimosi kryptį.
  - ▶ Jungiklis užsifiksuoja šioje padėtyje.

### 5.2.3 Gręžimas be smūgiavimo

- ▶ Funkcijos pasirinkimo jungiklį nustatykite ties šiuo simboliu:

### 5.2.4 Gręžimas su smūgiavimu

- ▶ Funkcijos pasirinkimo jungiklį nustatykite ties šiuo simboliu:

## 6 Priežiūra ir einamasis remontas

### 6.1 Priežiūra ir einamasis remontas

#### ĮSPĖJIMAS

**Sužalojimo pavojus kai įstatytas akumulatorius !**

- ▶ Prieš pradėdami bet kokius techninės priežiūros ir einamojo remonto darbus, akumuliatorių iš prietaiso išimkite!

#### Prietaiso priežiūra

- Atsargiai pašalinti prilipusius nešvarumus.
- Vėdinimo plyšius atsargiai išvalyti sausu šepetėliu.
- Korpusą valyti tik šiek tiek sudrėkinta šluoste. Nenaudoti silikono turinčių priežiūros priemonių, nes jos gali pakenkti plastikinėms detalėms.

#### Ličio jonų akumuliatorių priežiūra

- Akumuliatorių saugoti nuo alyvos ir tirštojo tepalo.
- Korpusą valyti tik šiek tiek sudrėkinta šluoste. Nenaudoti silikono turinčių priežiūros priemonių, nes jos gali pakenkti plastikinėms detalėms.
- Saugoti, kad į vidų neprasiskverbtų drėgmė.

#### Einamasis remontas

- Reguliariai tikrinti, ar matomos dalys nėra pažeistos ir ar valdymo elementai veikia nepriekaištingai.
- Pažeisto ir / arba turinčio veikimo sutrikimų prietaiso nenaudoti. Nedelsiant kreiptis į **Hilti** techninės priežiūros centrą dėl remonto.
- Baigus techninės priežiūros ir einamojo remonto darbus, sumontuoti visus apsauginius įtaisus ir patikrinti jų veikimą.



Kad eksploatacija būtų patikima, naudokite tik originalias atsargines dalis ir eksploatacines medžiagas. Mūsų aprobuotas atsargines dalis, eksploatacines medžiagas ir reikmenis savo prietaisui rasite vietinėje **Hilti Store** arba tinklalapyje **www.hilti.group**.

### 6.2 Nuo dulkių saugančio gaubtelio valymas

- ▶ Įrankio griebtuve esantį nuo dulkių saugantį gaubtelį reguliariai valykite švaria sausa šluoste.
- ▶ Sandarinimo briaunelę atsargiai nuvalykite ir vėl šiek tiek patepkite **Hilti** tirštuoju tepalu.
- ▶ Jei sandarinimo briaunelė pažeista, būtinai pakeiskite nuo dulkių saugantį gaubtelį.



## 7 Transportavimas ir sandėliavimas

### 7.1 Akumuliatorių prietaisų transportavimas ir sandėliavimas

#### Transportavimas

##### **ATSARGIAI**

#### Atsitiktinis įjungimas transportuojant !

- ▶ Savo prietaisus visada transportuokite tik išėmę akumulatorius!
- ▶ Išimti akumulatorius.
- ▶ Akumuliatorių niekada netransportuoti sumetus į krūvą su kitais daiktais.
- ▶ Prieš naudojant po ilgesnio transportavimo, patikrinti, ar prietaisais ir akumulatoriais nėra pažeisti.

#### Sandėliavimas

##### **ATSARGIAI**

#### Atsitiktinis pažeidimas dėl sugedusių ar išsiliejusių akumuliatorių !

- ▶ Savo prietaisus visada laikykite tik išėmę akumulatorius!
- ▶ Prietaisą ir akumulatorius pagal galimybes laikyti sausoje ir vėsioje vietoje.
- ▶ Akumuliatorių jokiū būdu nelaikyti saulės atokaitoje, ant šildymo prietaisų ar už automobilio lango stiklo.
- ▶ Prietaisą ir akumulatorius laikyti vaikams bei neįgaliesiems asmenims neprieinamoje vietoje.
- ▶ Prieš naudojant po ilgesnio sandėliavimo, patikrinti, ar prietaisais ir akumulatoriais nėra pažeisti.

## 8 Sutrikimų paieška

### 8.1 Pagalba sutrikus veikimui

Pasitaikius sutrikimų, kurie nėra aprašyti šioje lentelėje arba kurių negalite pašalinti patys, kreipkitės į **Hilti** techninės priežiūros centrą.

### 8.2 Perforatorius neparengtas veikti

Sutrikimas	Galima priežastis	Sprendimas
Perforatorius neįsijungia.	Perforatorius perkrautas.	▶ Perforatorių išjunkite, išimkite akumuliatorių ir perforatoriaus nenaudokite.
Šviesos diodai nieko nerodo.	Akumuliatorius netinkamai įstatytas.	▶ Akumuliatorių užfiksuokite: turi pasigirsti dvigubas spragtelėjimas.
	Akumuliatorius išsekęs.	▶ Akumuliatorių pakeiskite, o išsekusį – įkraukite.
	Akumuliatorius per karštas arba per šaltas.	▶ Akumuliatorių atvėsinkite arba pašildykite iki rekomenduojamos darbinės temperatūros.
1 šviesos diodas mirksi.	Akumuliatorius išsekęs.	▶ Akumuliatorių pakeiskite, o išsekusį – įkraukite.
	Akumuliatorius per karštas arba per šaltas.	▶ Akumuliatorių atvėsinkite arba pašildykite iki rekomenduojamos darbinės temperatūros.
Mirksi 4 šviesos diodai.	Perforatorius trumpam perkrautas.	▶ Valdymo jungiklį atleiskite ir vėl paspauskite.
	Apsauga nuo perkaitimo.	▶ Leiskite perforatoriui atvėsti ir išvalykite vėdinimo plyšius.



### 8.3 Perforatorius yra parengtas veikti

Sutrikimas	Galima priežastis	Sprendimas
Prietaisas nesmūgiuoja.	Perforatorius per šaltas.	► Perforatorių padėkite ant grindų ir leiskite veikti tuščiąja eiga. Jeigu reikia, pakartokite, kol smūginis mechanizmas pradės veikti.
	Funkcijos pasirinkimo jungiklis yra padėtyje „Grėžimas be smūgiavimo“ .	► Funkcijos pasirinkimo jungiklį nustatykite į padėtį „Smūginis grėžimas“ .
Valdymo jungiklio negalima paspausti arba jis yra užblokuotas.	Dešininės / kairinės eigos perjungiklis yra vidurinėje padėtyje.	► Dešininės / kairinės eigos perjungiklį pastumkite į kairę arba į dešinę.
Prietaiso velenas nesisuka.	Viršyta perforatoriaus elektroninės sistemos leistina darbinė temperatūra.	► Leiskite perforatoriui atvėsti.
	Akumuliatorius išsekęs.	► Akumuliatorių pakeiskite, o išsekusį – įkraukite.
Perforatorius automatiškai išsijungia.	Suveikė apsauga nuo perkrovos.	► Atleiskite valdymo jungiklį. Leiskite perforatoriui atvėsti. Vėl spauskite valdymo jungiklį. Sumažinkite prietaiso apkrovą.
Akumuliatorius išsikrauna greičiau nei paprastai.	Akumuliatoriaus būklė nėra optimali.	► Akumuliatorių pakeiskite nauju.
Akumuliatorius neužsikisuoja, ir nepasigirsta dvigubas spragtelėjimas.	Užterštas akumuliatoriaus fiksatorius.	► Fiksatorių išvalykite ir akumuliatorių įdėkite iš naujo.
Perforatorius arba akumuliatorius stipriai kaista.	Elektrinės įrangos gedimas	► Perforatorių nedelsdami išjunkite. Akumuliatorių išimkite ir stebėkite. Leiskite jam atvėsti. Susisiekite su <b>Hilti</b> techninės priežiūros centru.
	Perforatorius perkrautas (viršyta leistina apkrova).	► Pasirinkite tinkamos galios prietaisą.
Įrankio neįmanoma ištraukti iš griebtuvo.	Įrankio griebtuvas nėra iki galo atitrauktas.	► Įrankio fiksatorių traukite atgal, kol atsirems, ir įrankį išimkite.
Įrankis negręžia.	Įjungta perforatoriaus kairinė eiga.	► Dešininės / kairinės eigos perjungiklį nustatykite į dešininio sukimosi padėtį.

## 9 Utilizavimas

**Hilti** prietaisai yra pagaminti iš medžiagų, kurias galima naudoti antrą kartą. Būtina antrinio perdirbimo sąlyga yra tinkamas medžiagų išrūšiuojimas. Daugelyje šalių **Hilti** priims Jūsų nebenaudojamą prietaisą perdirbti. Apie tai galite pasiteirauti artimiausiame **Hilti** techninės priežiūros centre arba savo prekybos konsultanto.



- Elektrinių įrankių, elektroninių prietaisų ir akumuliatorių neišmeskite į buitinius šiukšlynus!

## 10 Gamintojo teikiama garantija

- Kilus klausimų dėl garantijos sąlygų, kreipkitės į vietinį **Hilti** partnerį.



# Originaalkasutusjuhend

## 1 Andmed dokumentatsiooni kohta

### 1.1 Kasutusjuhend

- Enne seadme kasutuselevõttu lugege see kasutusjuhend läbi. See on ohutu kasutamise ja tõrgeteta töö eeldus.
- Järgige kasutusjuhendis esitatud ja tootele märgitud ohutusnõudeid ja hoiatusi.
- Hoidke kasutusjuhend alati seadme juures ja toote edasiandmisel teistele isikutele andke üle ka kasutusjuhend.

### 1.2 Märkide selgitus

#### 1.2.1 Hoiatused

Hoiatused annavad märku toote kasutamisel tekkivatest ohtudest. Kasutatakse alljärgnevaid märksõnu:



**OHT**

**OHT !**

- ▶ Võimalikud ohtlikud olukorrad, mis võivad põhjustada kasutaja raskeid kehavigastusi või hukkamist.



**HOIATUS**

**HOIATUS !**

- ▶ Võimalik ohtlik olukord, mis võib põhjustada kasutaja raskeid kehavigastusi või hukkamist.



**ETTEVAATUST**

**ETTEVAATUST !**

- ▶ Võimalikud ohtlikud olukorrad, millega võivad kaasnedna kergemad kehavigastused või varaline kahju.

#### 1.2.2 Kasutusjuhendis kasutatud sümbolid

Selles dokumendis kasutatakse järgmisi sümboleid.

	Lugege enne kasutamist läbi kasutusjuhend!
	Soovitused seadme kasutamiseks ja muu kasulik teave
	Taaskasutatavate materjalide käsitsemine
	Elektriseadmeid ja akusid ei tohi visata olmejäätmete hulka.

#### 1.2.3 Joonistel kasutatud sümbolid

Joonistel kasutatakse järgmisi sümboleid.

	Numbrid viitavad vastavatele joonistele kasutusjuhendi alguses
3	Numeratsioon kajastab tööetappide järjekorda pildi kujul ja võib tekstis kirjeldatud tööetappidest erineda
	Positsiooninumbrid <b>kasutatakse ülevaatejoonisel</b> ja need viitavad selgituste numbritele <b>toote ülevaates</b>
	See märk näitab, et toote käsitsemisel tuleb olla eriti tähelepanelik.

### 1.3 Tootepõhised sümbolid

#### 1.3.1 Tootele märgitud sümbolid

Tootel võib kasutada alljärgnevaid sümboleid:



	Löögita puurimine
	Löökpuurimine
	Parem/vasak käik
$n_0$	Nimipöörlemiskiirus tühikäigul
/min	Pööret minutis
	Alalisvool
Li-Ion	Liitumioonaku
	Kasutatud <b>HILTI</b> Li-Ion-aku seeria. Pidage kinni peatükis <b>Nõuetekohane kasutamine</b> esitatud juhistest.
	Ärge kasutage akut kunagi löögiriistana.
	Ärge laske akul kunagi maha kukkuda. Ärge kasutage akut, mis on saanud löögi või on muul moel kahjustatud.
	Seade toetab NFC-tehnoloogiat, mis on ühildatav iOS- ja Android-platvormidega.

#### 1.4 Tooteinfo

**HILTI** tooted on ette nähtud professionaalsele kasutajale ja neid tohivad käsitseda, hooldada ja korras hoida ainult volitatud ja asjaomase väljaõppega isikud. Nimetatud personal peab olema teadlik kõikidest kaasnevatest ohtudest. Seade ja sellega ühendatavad abivahendid võivad osutada ohtlikuks, kui neid ei kasutata nõuetekohaselt või kui nendega töötab vastava väljaõppeta isik.

Tüübitähis ja seerianumber on tüübisildil.

- Kandke seerianumber järgmisse tabelisse. Andmeid toote kohta vajate meie esindusele või hooldekeskusele päringute esitamisel.

##### Tooteandmed

Tüüp:	TE 2-A22
Generatsioon:	02
Seerianumber:	

#### 1.5 Vastavusdeklaratsioon

Kinnitame ainuvastutajana, et käesolevas kasutusjuhendis kirjeldatud seade vastab kehtivate direktiivide ja standardite nõuetele: Vastavustunnistuse koopia leiате käesoleva kasutusjuhendi lõpust.

Tehnilised dokumendid on saadaval:

Hilti Entwicklungsgesellschaft mbH | Zulassung Geräte | Hiltistraße 6 | 86916 Kaufering, DE

## 2 Ohutus

### 2.1 Üldised ohutusnõuded elektriliste tööriistade kasutamisel

**⚠ HOIATUS! Lugege läbi kõik ohutusnõuded ja juhised.** Järgnevate ohutusnõuete eiramise tagajärjeks võib olla elektrilöökk, tulekahju ja/või rasked vigastused.

Hoidke kõik ohutusnõuded ja juhised edaspidiseks kasutamiseks alles.

#### Ohutus töökohal

- **Hoidke oma töökoht puhas ja valgustage seda korralikult.** Korrastamata ja valgustamata töökoht võib põhjustada õnnetusi.
- **Ärge kasutage elektritööriista plahvatusohtlikus keskkonnas, kus leidub tuleohtlikke vedelikke, gaase või tolmu.** Elektritööriistadest lööb sädemeid, mis võivad tolmu või aurud süüdata.
- **Hoidke lapsed ja kõik teised töökohast eemal, kui kasutate elektritööriista!** Kui teie tähelepanu juhitakse kõrvale, võib seade teie kontrolli alt väljuda.



## Elektriohutus

- ▶ **Vältige kehalist kontakti maandatud pindadega, nagu torud, radiaatorid, pliidid ja külmkapid.** Kui Teie keha on maandatud, on elektrilöögi oht suurem.
- ▶ **Kaitske elektritööriista vihma ja niiskuse eest.** Kui elektritööriista sisemusse satub vett, suurendab see elektrilöögiohtu.

## Inimeste turvalisus

- ▶ **Olge tähelepanelik, jälgige oma tegevust ning toimige elektrilise tööriistaga töötades kaalutletult. Ärge töötage elektrilise tööriistaga, kui olete väsinud või alkoholi, narkootikumide või ravimite mõju all!** Hetkeline tähelepanematus elektrilise tööriista kasutamisel võib põhjustada raskeid kehavigastusi või varalist kahju.
- ▶ **Kandke isiklikke kaitsevahendeid ja alati kaitseprille.** Isiklike kaitsevahendite, nt tolmu maski, libisemiskindlate turvajalatsite, kaitsekiivri või kuulmiskaitsevahendite kandmine (sõltuvalt elektritööriista tüübist ja kasutusala) vähendab vigastusohtu.
- ▶ **Vältige elektrilise tööriista tahtmatut käivitamist. Veenduge, et elektriline tööriist on välja lülitatud, kui ühendate selle külge aku või kui seda tõstate või kannate.** Kui hoiate elektrilise tööriista kandmisel sõrme lülitil või ühendate vooluvõrku sisselülitatud tööriista, võib tagajärjeks olla tööõnnetus.
- ▶ **Eemaldage enne elektritööriista sisselülitamist selle küljest seade- ja mutrivõtmed.** Elektritööriista pöörleva osa küljes olev seade- või mutrivõti võib põhjustada vigastusi.
- ▶ **Vältige ebatavalist töösasendit! Võtke stabiilne töösasend ja säilitage alati tasakaal.** Nii saate seadet ootamatutes olukordades paremini kontrollida.
- ▶ **Kandke sobivat rõivastust. Ärge kandke laiu riideid ega ehteid! Hoidke juuksed, rõivad ja kindad seadme liikuvatest osadest eemal.** Lotendavad riided, ehted ja pikad juuksed võivad sattuda seadme liikuvate osade vahele.
- ▶ **Kui elektritööriista külge on võimalik paigaldada tolmueemaldus- ja kogumiseadiseid, veenduge, et need on tööriista ühendatud ja et neid kasutatakse nõuetekohaselt.** Tolmueemaldusseadise kasutamine võib vähendada tolmu tinglevat ohte.

## Elektrilise tööriista kasutamine ja käsitsemine

- ▶ **Ärge kormake seadet üle! Kasutage konkreetseks tööks sobivat elektrilist tööriista.** See töötab ettenähtud jõudluspiirides tõhusamalt ja ohutumalt.
- ▶ **Ärge kasutage elektrilist tööriista, mille lülitit on rikkis!** Elektriline tööriist, mida ei saa enam lülitist korralikult sisse ja välja lülitada, on ohtlik ning tuleb viia parandusse.
- ▶ **Eemaldage aku, enne kui asute tööriista seadistama, tarvikuid vahetama või tööriista hoiale panema.** See ettevaatusabinõu hoiab ära seadme tahtmatu käivitamise.
- ▶ **Kasutusvälisel ajal hoidke elektrilist tööriista lastele kättesaamatus kohas. Ärge lubage seadet kasutada isikutel, kes seda ei tunne või ei ole lugenud käesolevaid juhiseid.** Asjatundmatute isikute käes on elektrilised tööriistad ohtlikud.
- ▶ **Hooldage elektrilisi tööriistu hoolelikalt. Kontrollige, kas seadme liikuvad detailid töötavad veatult ega kiilu kiini. Veenduge, et seadme detailid ei ole murdunud või kahjustatud määral, mis mõjutab seadme töökindlust. Laske kahjustatud osad enne seadme kasutamist parandada.** Ebapiisavalt hooldatud elektrilised tööriistad põhjustavad tööõnnetusi.
- ▶ **Hoidke lõiketarvikud teravad ja puhtad.** Hästi hooldatud, teravate lõikeservadega lõiketarvikud kiiluvad harvemini kinni ja neid on lihtsam juhtida.
- ▶ **Kasutage elektrilist tööriista, tarvikuid ja lisatarvikuid vastavalt nende juhistele. Arvestage seejuures töötingimuste ja tehtava töö iseloomuga.** Elektrilise tööriista kasutamine otstarbel, milleks see ei ole ette nähtud, võib põhjustada ohtlikke olukordi.

## Akuga tööriista kasutamine ja käsitsemine

- ▶ **Laadige akusid ainult tootja soovitatud laadimiseadmega.** Kui teatud tüüpi aku laadimiseks ettenähtud laadimiseadet kasutatakse teist tüüpi akude laadimiseks, tekib tulekahjuoht.
- ▶ **Kasutage elektritööriistades ainult neile ettenähtud akusid.** Teist tüüpi akude kasutamine võib põhjustada vigastus- ja põlenguohtu.
- ▶ **Hoidke akud kasutusvälisel ajal eemal kirjaklambritest, müntidest, võtmetest, naeltest, kruvidest ja teistest väikestest metallesemetest, mis võivad aku kontaktid omavahel ühendada.** Aku kontaktide vahel tekkinud lühis võib põhjustada põletust või tulekahju.
- ▶ **Väärkasutuse korral võib akuvedelik akust välja voolata. Vältige sellega kokkupuudet.** Väljavoolav akuvedelik võib põhjustada nahaärritusi või põletusi. Juhusliku kokkupuute korral loputage kahjustatud kohta veega. Kui vedelik satub silma, pöörduge lisaks arsti poole.

## Hooldus

- ▶ **Laske elektrilist tööriista parandada ainult kvalifitseeritud spetsialistidel, kes kasutavad originaalvaruosi.** Nii on tagatud, et elektritööriista ohutus säilib.



## 2.2 Täiendavad ohutusnõuded puurvasara kasutamisel

### Inimeste ohutus

- ▶ Kasutage toodet ainult siis, kui selle tehniline seisukord on veatu.
- ▶ Ärge kunagi muutke ega modifitseerige seadet.
- ▶ Kasutage tarnekomplekti kuuluvaid lisakäepidemeid. Kontrolli kaotus seadme üle võib põhjustada vigastusi.
- ▶ Läbistavate tööde korral turvake töödeldava koha taha jääv ala. Murduvad osad võivad välja ja/või alla kukkuda ning teisi inimesi vigastada.
- ▶ Hoidke seadet ettenähtud käepidemetest mõlema käega. Hoidke käepidemed kuivad ja puhtad.
- ▶ Kui teete töid, mille puhul võib tarvik tabada varjatud elektrijuhtmeid, hoidke seadet isoleeritud haardepinnast. Kokkupuude pingestatud elektrijuhtmega võib seada pinge alla ka seadme metalldetailid ja põhjustada elektrilöögi.
- ▶ Vältige kokkupuudet seadme pöörlevate osadega - vigastuste oht!
- ▶ Seadme kasutamise ajal kandke sobivaid kaitseprille, kaitsekiivrit, kuulmiskaitsevahendeid, kaitsekindaid ja kerget hingamisteede kaitsemaski.
- ▶ Kandke ka tarvikut vahetades kaitsekindaid! Tarviku puudutamine võib tekitada löikehaavu ja põletusi.
- ▶ Kasutage kaitseprille. Materjalist väljalendavad killud võivad tekitada keha- ja silmavigastusi.
- ▶ Enne töö algust tehke kindlaks töötamisel tekkiva tolmu ohuklass. Kasutage ettenähtud kaitseklassi kuuluvat ehitustolmuimejat, mis vastab kehtivatele tolmukaitsenõuetele. Pliisisaldusega värvide, teatavat liiki puidu, betooni/müüritise/kvartsisisaldusega kivi, mineraalide ja metalli tolm võib kahjustada tervist.
- ▶ Tagage töökohal hea ventilatsioon ja vajaduse korral kandke tekkiva tolmu filtreerimiseks sobivat hingamisteede kaitsemaski. Kokkupuude tolmuga või tolmu sissehingamine võib põhjustada kasutajat või läheduses viibvatel isikutel allergilist reaktsiooni ja/või hingamisteede haigusi. Teatav tolm, nt tamme- või pöögitolm on kantserogeenne, seda eeskätt koosmõjus puidu töötlemise lisainetega (kromaat, puidukaitsevahendid). Asbesti sisaldavate materjalide töötlemine on lubatud vaid asjaomase kvalifikatsiooniga isikutel.
- ▶ Tehke tööpause ja liigutage sõrmi, et parandada nende verevarustust. Pikemaajaliste tööde korral võib vibratsioon tekitada probleeme sõrmede, käte ja randmeliigeste veresoontes ja närvisüsteemis.

### Elektriohutus

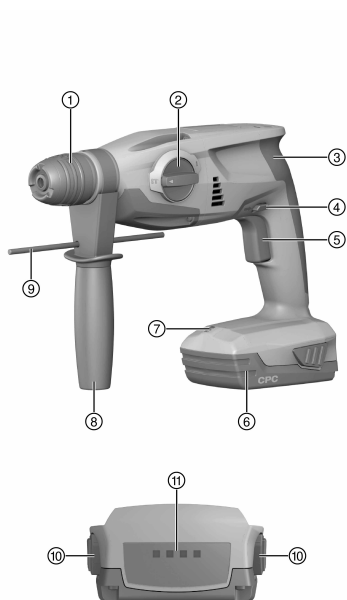
- ▶ Enne töö algust kontrollige tööpiirkond üle ja veenduge, et seal ei ole varjatud elektrijuhtmeid, gaasi- ega veetorusid. Seadme välised metallosad võivad elektrijuhtme vigastamise korral tekitada elektrilöögi.

### Elektriliste tööriistade hoolikas käsitsemine ja kasutamine

- ▶ Tarviku blokeerumise korral lülitage tööriist kohe välja. Seade võib külgsuunas liikuda.
- ▶ Enne käestpanekut oodake, kuni tööriist on seiskunud.



#### 3.1 Toote ülevaade



- ① PadrunTE-C Click
- ② Töörežiimilüliti
- ③ Käepide
- ④ Sisselülitustökisega reversüliti
- ⑤ Juhtüliti
- ⑥ Aku
- ⑦ Töökohta valgustav tuli
- ⑧ Lisakäepide
- ⑨ Sügavuspiirik
- ⑩ Vabastusklahvid koos lisafunktsiooniga laetuse astme näidu aktiveerimiseks
- ⑪ Aku laetuse astme näidik

#### 3.2 Sihipärane kasutamine

Kirjeldatud toode on akutoitega puurvasar. See on ette nähtud terase, puidu ja müüritise puurimiseks ning betooni ja müüritise löökpuurimiseks ning kruvide sisse- ja väljakeeramiseks.

- Kasutage selle toote jaoks ainult **Hilti B 22** tüüpi liitiumioonakusid.
- Nende akude laadimiseks kasutage üksnes **Hilti** heakskiidetud akulaadijaid. Lisateavet leiate müügiesindusest **Hilti Store** või veebilehelt: [www.hilti.group](http://www.hilti.group)

#### 3.3 Liitiumioonaku näidik

Liitiumioonaku kasutamisel saab kuvada aku laetuse astet, selleks tuleb vajutada ühele vabastusnupule.

Seisund	Tähendus
4 LED-tuld põlevad.	Laetuse tase: 75% kuni 100%
3 LED-tuld põlevad.	Laetuse tase: 50% kuni 75%
2 LED-tuld põlevad.	Laetuse tase: 25% kuni 50%
1 LED-tuli põleb.	Laetuse tase: 10% kuni 25%
1 LED-tuli vilgub.	Laetuse tase: < 10%

Töötamise ajal ja vahetult pärast töö lõppu ei ole võimalik aku laetuse astet teada saada. Kui aku laetuse astme LED-tuled vilguvad, järgige peatükis Veatsing toodud juhiseid.

#### 3.4 Tarekomplekt

Puurvasar, lisakäepide, sügavuspiirik, kasutusjuhend.

Tolmuemaldusmoodul TE DRS-S on lisatarvik tolmuvabaks tööks.

Muud süsteemitooded leiate müügiesindusest **Hilti Store** või veebisaidilt: [www.hilti.group](http://www.hilti.group)





## 4 Tehnilised andmed

### 4.1 Puurvasar

	<b>TE 2-A22</b>
<b>Nimipinge</b>	21,6 V
<b>Kaal EPTA Procedure 01 järgi koos akuga B228.0</b>	3,3 kg
<b>Puuri läbimõõt betoonis/müüritises (löökpuurimine)</b>	4 mm ... 16 mm
<b>Puuritava ava läbimõõt metallis (täispuur)</b>	0 mm ... 10 mm
<b>Sügavuspiiriku max pikkus</b>	180 mm

### 4.2 Teave müra ja vibratsiooni kohta

Käesolevas kasutusjuhendis toodud helirõhu- ja vibratsioonitase on mõõdetud standardituid mõõtemeetodid ning asjaomaseid näitajaid saab kasutada elektriliste tööriistade võrdlemiseks. Need sobivad ka müra- ja vibratsioonitase esialgseks hindamiseks. Toodud näitajad iseloomustavad elektrilise tööriista põhilisi ettenähtud töid. Kui aga elektrilist tööriista kasutatakse muul otstarbel, teiste tarvikutega või kui tööriista on ebapiisavalt hooldatud, võivad näitajad käesolevas juhendis toodud näitajatest kõrvale kalduda. See võib vibratsiooni- ja müratasest töötamise koguperioodil tunduvalt suurendada. Müra- ja vibratsioonitase täpseks hindamiseks tuleb arvesse võtta ka aega, mil tööriist oli välja lülitatud või küll sisse lülitatud, kuid tege-likult tööle rakendamata. See võib vibratsiooni- ja müratasest töötamise koguperioodil tunduvalt vähendada. Seadme kasutaja kaitsmiseks müra ja/või vibratsiooni eest rakendage täiendavaid kaitseabinõusid, näiteks: hooldage seadet ja tarvikuid korralikult, hoidke käed soojad, tagage sujuv töökorraldus.

#### Müratase mõõdetud kooskõlas standardiga EN 60745

<b>Helivõimsustase (<math>L_{WA}</math>)</b>	103 dB(A)
<b>Mõõtemääramatus helivõimsustaseme puhul (<math>K_{WA}</math>)</b>	3 dB(A)
<b>Helirõhutase (<math>L_{pA}</math>)</b>	92 dB(A)
<b>Mõõtemääramatus helirõhutaseme puhul (<math>K_{pA}</math>)</b>	3 dB(A)

#### Vibratsiooni kogutase (kolme telje vektorsumma), kindlaks tehtud vastavalt standardile EN 60745

<b>Betooni löökpuurimine (<math>a_{h, HD}</math>)</b>	15 m/s <sup>2</sup>
<b>Metalli puurimine (<math>a_{h, D}</math>)</b>	2,5 m/s <sup>2</sup>
<b>Mõõtemääramatus (K)</b>	1,5 m/s <sup>2</sup>

### 4.3 Aku

<b>Aku tööpinge</b>	21,6 V
<b>Ümbritseva keskkonna temperatuur töötamise ajal</b>	-17 °C ... 60 °C
<b>Hoiutemperatuur</b>	-20 °C ... 40 °C
<b>Aku temperatuur laadimise alguses</b>	-10 °C ... 45 °C

## 5 Käsitsemise

### 5.1 Töö ettevalmistamine

#### ETTEVAATUST

#### Vigastuste oht soovimatu käivitumise tõttu!

- ▶ Enne aku paigaldamist veenduge, et selle juurde kuuluv seade on välja lülitatud.
- ▶ Enne seadme seadistamist ja tarvikute vahetamist eemaldage seadmest aku.

Järgige kasutusjuhendis esitatud ja tootele märgitud ohutusnõudeid ja hoiatusi.

#### 5.1.1 Lisakäepideme paigaldamine

1. Keerake käepideme, et lisakäepideme kinnituse mehhanismi (kinnitusriba) vabastada.
2. Lükake kinnituse mehhanism (kinnitusriba) eest üle padruni selleks ettenähtud soonde.
3. Seadke lisakäepideme soovitud asendisse.



4. Keerake käepidet, et lisakäepideme kinnitusmehhanismi (kinnitusriba) pingutada.

### 5.1.2 Aku paigaldamine 2

1. Asetage aku seadme hoidikusse, nii et fikseerub kuuldavalt kohale.
2. Kontrollige aku kindlat kinnitumist.

### 5.1.3 Aku eemaldamine 3

1. Vajutage aku vabastusnuppudele.
2. Tõmmake aku suunaga taha välja.

### 5.1.4 Tarviku paigaldamine 5

1. Määrige tarviku padrunisse kinnitavat osa veidi.
  - ▶ Kasutage üksnes Hilti originaalmääret. Vale määre võib seadet kahjustada.
2. Torgake tarvik lõpuni padrunisse ja laske kohale fikseeruda.
3. Pärast paigaldamist tõmmake tarvikust, et kontrollida, kas see on kindlalt kinni.
  - ▶ Seade on töövalmis.

### 5.1.5 Tarviku eemaldamine 6



#### HOIATUS

**Vigastuste oht!** Seade läheb kasutades kuumaks.

- ▶ Tarvikut vahetades kandke kaitsekindaid!
- 
- ▶ Tõmmake padruni lukustus lõpuni tagasi ja eemaldage tarvik.

### 5.1.6 Sügavuspiiriku paigaldamine (lisavarustus) 7

1. Keerake käepidet, et lisakäepideme kinnitusmehhanismi (kinnitusriba) vabastada.
2. Lükake sügavuspiirik eest selleks ette nähtud 2 juhtauku.
3. Keerake käepidet, et lisakäepideme kinnitusmehhanismi (kinnitusriba) pingutada.

## 5.2 Töötamine



#### TÄHELEPANU

**Vigastuste oht vale käsitlemise tõttu!**

- ▶ Ärge vajutage reversilülile või funktsiooni valiku lülile ajal, mil seade töötab.
- 

Järgige kasutusjuhendis esitatud ja tootele märgitud ohutusnõudeid ja hoiatusi.

### 5.2.1 Töökohta valgustav tuli



LED aktiveerub juhtlülile vajutamisel automaatselt. Pärast juhtlüliti vabastamist kustub LED-tuli aeglaselt.

---

- ▶ Vajutage juhtlülile.

### 5.2.2 Pöörlemissuund

- ▶ Reguleerige välja pöörlemissuund.
  - ▶ Lülitit fikseerub selles asendis.

### 5.2.3 Löögita puurimine 8

- ▶ Seadke töörežiimilüliti sümbolile:

### 5.2.4 Löökpuurimine 9

- ▶ Seadke töörežiimilüliti sümbolile:



## 6 Hooldus ja korrashoid

### 6.1 Hooldus ja korrashoid

#### HOIATUS

#### Vigastuste oht paigaldatud aku korral !

- ▶ Enne mis tahes hooldus- ja korrashoiutöid eemaldage seadmest aku!

#### Seadme hooldamine

- Eemaldage kõvasti kinni olev mustus ettevaatlikult.
- Puhastage ventilatsioonivahendid ettevaatlikult kuiva harjaga.
- Puhastage korpust kergelt niiske lapiga. Ärge kasutage silikooni sisaldavaid hooldusvahendeid, sest need võivad kahjustada seadme plastdetaile.

#### Liitiumioonakude hooldus

- Hoidke aku puhas ja vaba õlist ja rasvast.
- Puhastage korpust kergelt niiske lapiga. Ärge kasutage silikooni sisaldavaid hooldusvahendeid, sest need võivad kahjustada seadme plastdetaile.
- Vältige vedeliku sissetungimist.

#### Korrashoid

- Kontrollige regulaarselt, kas kõik nähtavad osad on terved ja kas juhtelemendid toimivad veatult.
- Kahjustuste ja/või tõrgete korral ei tohi seadet kasutada. Laske tööriist kohe **Hilti** hooldekeskuses parandada.
- Pärast hooldus- ja korrashoiutöid paigaldage kõik kaitseseadised ja kontrollige nende toimivust.



Tööohutuse tagamiseks kasutage ainult originaalvaruosi ja -materjale. Teie tootega sobivaid ja meie poolt heakskiidetud varuosad, materjalid ja tarvikud leiате kauplusest **Hilti Store** või veebilehelt: [www.hilti.group](http://www.hilti.group).

### 6.2 Tolmukaitsekatte puhastamine

- ▶ Puhastage padruni tolmukaitsekattet regulaarselt puhta kuiva lapiga.
- ▶ Pühkige tihend ettevaatlikult puhtaks ja määrige seda kergelt **Hilti** määrdega.
- ▶ Kui tihend on kahjustatud, tuleb tolmukaitsekate välja vahetada.

## 7 Transport ja hoiustamine

### 7.1 Akutööriistade transport ja ladustamine

#### Transport

#### ETTEVAATUST

#### Soovimatu käivitumine transportimisel !

- ▶ Transportige tooteid ilma akudeta!
- ▶ Eemaldage akud.
- ▶ Ärge kunagi transportige akusid lahtiselt.
- ▶ Pärast pikemat transporti kontrollige, kas tööriist või akud on saanud vigastusi.

#### Ladustamine

#### ETTEVAATUST

#### Defektsed akud või lekkivad akud võivad tekitada vigastusi !

- ▶ Kasutusvälisel ajal eemaldage seadmest aku!
- ▶ Hoidke seadet ja akusid võimalikult jahedas ja kuivas kohas.
- ▶ Ärge hoidke akusid kunagi päikese käes, küttekeha peal ega aknalaual.
- ▶ Hoidke seadet ja akusid lastele ja kõrvalistele isikutele ligipääsmatus kohas.
- ▶ Pärast pikemaajalist ladustamist kontrollige, kas tööriist või akud on saanud vigastusi.



## 8 Veotsing



### 8.1 Abi tõrgete puhul

Kui peaks esinema tõrge, mida ei ole järgmises tabelis nimetatud või mida Te ei suuda ise kõrvaldada, pöörduge Hilti hooldekeskusse.

### 8.2 Puurvasarat ei saa tööle rakendada

Tõrge	Võimalik põhjus	Lahendus
Puurvasar ei käivitu.	Puurvasarale on avaldunud ülekoormus.	▶ Lülitage puurvasar välja, eemaldage aku ja ärge jätkake puurvasaraga töötamist.
LED-tuled ei tööta.	Aku ei ole täielikult sisse pandud.	▶ Laske akul topeklõpsuga kohale fikseeruda.
	Aku on tühi.	▶ Vahetage aku välja ja laadige tühi aku täis.
	Aku on liiga kuum või liiga külm.	▶ Laske akul soojeneda/jahutada soovituslikule töötemperatuurile.
1 LED vilgub.	Aku on tühi.	▶ Vahetage aku välja ja laadige tühi aku täis.
	Aku on liiga kuum või liiga külm.	▶ Laske akul soojeneda/jahutada soovituslikule töötemperatuurile.
4 LED-tuld vilguvad.	Puurvasarale on avaldunud lühiajaliselt ülekoormus.	▶ Vabastage juhtlülitit ja vajutage sellele uuesti.
	Ülekuumenemiskaitse.	▶ Laske puurvasaral jahutada ja puhastage ventilatsiooniavad.

### 8.3 Puurvasarat saab tööle rakendada

Tõrge	Võimalik põhjus	Lahendus
Puudub löögifunktsioon.	Puurvasar on liiga külm.	▶ Asetage puurvasar maha ja laske sellel töötada tühikäigul. Vajaduse korral korrake seni, kuni löögimehhanism töötab.
	Töörežiimilüliti on asendis "Löögita puurimine"  .	▶ Seadke töörežiimilüliti asendisse "löökpuurimine"  .
Juhtlülitit ei saa käsitseda või see on kinni kiilunud.	Reverslülitit on keskasendis.	▶ Viige reverslülitit vasakule või paremale.
Spindel ei pöörle.	Puurvasara elektroonika temperatuur on lubatud töötemperatuurist kõrgem.	▶ Laske puurvasaral jahutada.
	Aku on tühi.	▶ Vahetage aku välja ja laadige tühi aku täis.
Puurvasar lülitub automaatselt välja.	Rakendub ülekoormuskaitse.	▶ Vabastage juhtlülitit. Laske puurvasaral jahutada. Vajutage juhtlülitit uuesti alla. Vähendage seadmele avalduvat koormust.
Aku tühjeneb tavalisest kiiremini.	Aku seisund ei ole optimaalne.	▶ Vahetage aku välja.
Aku ei fikseeru kuuldava topeklõpsuga kohale.	Aku lukustusmehhanism on määratud.	▶ Puhastage fiksaatorninaid ja paigaldage aku uuesti.



Törge	Võimalik põhjus	Lahendus
Puurvaras või aku läheb väga kuumaks.	Elektriga seotud rike	<ul style="list-style-type: none"> <li>Lülitage puurvaras kohe välja. Eemaldage aku ja ärge jätke seda järelevalveta. Laske akul jahtuda. Võtke ühendust <b>Hilti</b> hooldekeskusega.</li> </ul>
	Puurvararale on avaldunud ülekoormus (jõudluspiirid on ületatud).	<ul style="list-style-type: none"> <li>Valige konkreetseks tööks sobiv seade.</li> </ul>
Tarvikut ei saa lukustusest vabastada.	Padrun ei ole täielikult tagasi tõmmatud.	<ul style="list-style-type: none"> <li>Tõmmake padruni lukustus lõpuni tagasi ja eemaldage tarvik.</li> </ul>
Tarvik ei tungi sisse.	Puurvaras on lülitatud vasakule käigule.	<ul style="list-style-type: none"> <li>Seadke reverslülitit paremale käigule.</li> </ul>

## 9 Utiliseerimine

**Hilti** seadmed on suures osas valmistatud taaskasutatavatest materjalidest. Taaskasutuse eelduseks on materjalide korralik sorteerimine. Paljudes riikides kogub **Hilti** kasutusressursi ammendanud seadmed kokku. Lisateavet saate **Hilti** müügiesindusest.



- ▶ Ärge visake kasutusressursi ammendanud elektrilisi tööriistu, elektroonikaseadmeid ja akusid olmejäätmete hulka!

## 10 Tootja garantii

- ▶ Kui Teil on küsimusi garantiitingimuste kohta, pöörduge **Hilti** müügiesindusse.

# Түпнұсқа пайдалану бойынша нұсқаулық

## 1 Құжаттама бойынша деректер

### 1.1 Бұл құжаттама туралы



#### Импорттауыш және өндірушінің өкілетті ұйымы

- (RU) Ресей Федерациясы  
"Хилти Дистрибьюшн ЛТД" АҚ, 141402, Мәскеу облысы, Химки қ., Ленинградская көш., ғим. 25
- (BY) Беларусь Республикасы  
222750, Минск облысы, Дзержинский ауданы, Р-1, 18-ші км, 2 (Слободка ауылының жанында), 1-34 бөлімі
- (KZ) Қазақстан Республикасы  
Қазақстан Республикасы, индекс 050011, Алматы қ., Пугачев көш., 4-үй
- (KG) Қырғыз Республикасы  
"Т AND Т" ЖШҚ, 720021, Қырғызстан, Бішкек қ., Ибраимов көш., 29 А үйі
- (AM) Армения Республикасы  
Эйч-Кон ЖШҚ, Армения Республикасы, Ереван қ., Бабаян көш., 10/1 үйі

Өндірілген елі: жабдықтағы белгілеу тақтайшасын қараңыз.

Өндірілген күні: жабдықтағы белгілеу тақтайшасын қараңыз.

Тиісті сертификатты мына мекенжай бойынша табуға болады: [www.hilti.ru](http://www.hilti.ru)

Сақтау, тасымалдау және пайдалану шарттарына пайдалану бойынша нұсқаулықта белгіленгеннен басқа арнайы талаптар қойылмайды.

Өнімнің қызмет ету мерзімі 5 жыл.

- Іске қосу алдында осы құжаттаманы оқып шығыңыз. Бұл қауіпсіз жұмыс пен ақаусыз басқару үшін алғышарт болып табылады.



- Осы құжаттамадағы және өнімдегі қауіпсіздік және ескерту нұсқауларын орындаңыз.
- Пайдалану бойынша нұсқаулықты әрдайым өнімде сақтаңыз және оны басқа тұлғаларға тек осы нұсқаулықпен бірге тапсырыңыз.

## 1.2 Шартты белгілердің анықтамасы

### 1.2.1 Ескерту

Ескертулер өнімді қолдану барысындағы қауіптер туралы ескертеді. Төмендегі сигналдық сөздер пайдаланылады:



#### ҚАУІПТІ

#### ҚАУІПТІ !

- ▶ Ауыр жарақаттарға әкелетін немесе өмірге қауіп төндіретін тікелей қауіпті жағдайдың жалпы белгіленуі.



#### ЕСКЕРТУ

#### ЕСКЕРТУ !

- ▶ Ауыр жарақаттарға әкелуі немесе өмірге қауіп төндіруі мүмкін ықтимал қауіпті жағдайдың жалпы белгіленуі.



#### АБАЙЛАҢЫЗ

#### АБАЙЛАҢЫЗ !

- ▶ Жеңіл жарақаттарға немесе аспаптың зақымдалуына әкелуі мүмкін ықтимал қауіпті жағдайдың жалпы белгіленуі.

### 1.2.2 Құжаттамадағы белгілер

Бұл құжаттамада төмендегі белгілер пайдаланылады:



Пайдалану алдында пайдалану бойынша нұсқаулықты оқу қажет



Аспапты пайдалану бойынша нұсқаулар және басқа пайдалы ақпарат



Қайта пайдалануға болатын материалдармен жұмыс істеу



Электр аспаптарды және аккумуляторларды тұрмыстық қоқысқа тастамаңыз

### 1.2.3 Суреттердегі белгілер

Суреттерде төмендегі белгілер қолданылады:

<b>2</b>	Бұл сандар осы нұсқаулықтың басындағы әр суретке сәйкес келеді
3	Нөмірлеу суреттегі жұмыс қадамдарының реттілігін білдіреді және мәтіндегі жұмыс қадамдарынан өзгешеленуі мүмкін
11	Позиция нөмірлері <b>Шолу</b> суретінде қолданылады және <b>Өнімге шолу</b> мақаласындағы шартты белгілердің нөмірлеріне сілтейді
	Аталмыш белгілер өнімді қолдану барысында айрықша назарыңызды аудартады.

## 1.3 Өнімге қатысты белгілер

### 1.3.1 Өнімдегі белгілер

Өнімде төмендегі белгілер пайдаланылуы мүмкін:

	Соққысыз бұрғылау
	Соққымен бұрғылау (соғатын бұрғылау)



➔	Айналу бағытын өзгерту
$n_0$	Жүктемесіз номиналды айналу жиілігі
/min	Айналым/минут
---	Тұрақты ток
Li-Ion	Литий-иондық аккумулятор
	Пайдаланылған Hilti литий-ион аккумуляторларының сериясы. <b>Қолдану мақсаты</b> бөліміндеі нұсқауларды орындаңыз.
	Аккумуляторды еш жағдайда соқпа құрал ретінде пайдаланбаңыз.
	Аккумуляторды құлатып жібермеңіз. Соққы тиген немесе басқа жолмен зақымдалған аккумуляторды пайдаланбаңыз.
	Құрылғы iOS және Android платформаларымен үйлесімді NFC технологиясын қолдайды.

#### 1.4 Өнім туралы ақпарат

**HILTI** өнімдері кәсіби пайдаланушыларға арналған және оларды тек қана өкілетті, білікті қызметкерлер пайдалануы, күтім және техникалық қызмет көрсетуі тиіс. Қызметкерлер қауіпсіздік техникасы бойынша арнайы нұсқау алуы керек. Өнім мен оның қосалқы құралдарын басқа мақсатта қолдану немесе олардың оқытылмаған қызметкерлердің тарапынан пайдаланылуы қауіпті.

Түр сипаттамасы мен сериялық нөмір фирмалық тақтайшада берілген.

- ▶ Сериялық нөмірді төмендегі кестеге көшіріп қойыңыз. Өнім туралы мәліметтерді өкілдігімізге немесе қызмет көрсету бөлімімізге сұрау арқылы алуға болады.

##### Өнім туралы мәліметтер

Түрі:	TE 2-A22
Буын:	02
Сериялық нөмір:	

#### 1.5 Сәйкестілік декларациясы

Біз осы нұсқаулықта сипатталған өнімнің қолданыстағы директивалар мен нормативтерге сәйкес келетінін толық жауапкершілікпен жариялаймыз. Сәйкестілік декларациясының суреті осы құжаттаманың соңында орналасқан.

Техникалық құжаттама мына жерде сақталған:

Hilti Entwicklungsgesellschaft mbH | Zulassung Geräte | Hiltistraße 6 | 86916 Kaufering, DE

## 2 Қауіпсіздік

### 2.1 Электр құралдары үшін қауіпсіздік техникасы бойынша жалпы нұсқаулар

**⚠ ЕСКЕРТУ!** Сақтық шаралары бойынша барлық нұсқауларды және нұсқауларды оқып шығыңыз. Төменде берілген нұсқауларды орындамау электр тогының соғуына, өртке әкелуі мүмкін және/немесе ауыр жарақаттарды тудыруы мүмкін.

Қауіпсіздік техникасы бойынша барлық нұсқауларды және нұсқауларды келесі пайдаланушы үшін сақтаңыз.

#### Жұмыс орны

- ▶ **Жұмыс орнындағы тазалықты және тәртіпті қадағалаңыз.** Жұмыс орнындағы ретсіздік және нашар жарық сәтсіз жағдайларға әкелуі мүмкін.
- ▶ **Жанғыш сұйықтықтар, газдар немесе шаң бар жарылыс қаупі бар аймақта электр құралын қолданбаңыз.** Жұмыс кезінде электр құралдары ұшқындар шығады және ұшқындар шаңды немесе буларды тұтандыруы мүмкін.
- ▶ **Балалардың және бөгде адамдардың жұмыс істеп тұрған электр құралына жақындауына рұқсат етпеңіз.** Жұмысқа көңіл бөлмегенде, электр құралын бақылау жоғалуы мүмкін.



**Электр қауіпсіздігі**

- ▶ Денеңізді құбырлар, жылытқыштар, плиталар мен тоңазытқыштар сияқты жерге түйікталған беттерге тигізбеңіз. Жерге қосылған заттарға тигенде электр тоғы соғуының үлкен қаупі туындайды.
- ▶ Электр құралдарын жаңбырдан немесе ылғал әсерінен сақтаңыз. Электр құралына су тиюі нәтижесінде электр тоғының соғу қаупі артады.

**Адамдардың қауіпсіздігі**

- ▶ Ұқыпты болыңыз, әрекеттеріңізге көңіл бөліңіз және электр құралмен жұмыс істеуге дұрыс қараңыз. Шаршаған кезде немесе есірткі, алкоголь не дәрі қабылдаған соң электр құралды қолданбаңыз. Электр құралды қолданған кездегі зейінсіздік ауыр жарақаттарға апарып соғуы мүмкін.
- ▶ Жеке қорғану құралдарын пайдаланыңыз және әрқашан міндетті түрде қорғауыш көзілдірікті киіңіз. Электр құралының түріне және пайдалану жағдайларына байланысты жеке қорғану құралдарын, мысалы, шаңнан қорғайтын респираторды, сырғымайтын аяқ киімді, қорғауыш шлемді, естуді қорғау құралдарын қолдану жарақаттану қаупін азайтады.
- ▶ Электр құралының кездейсоқ қосылуын болдырмаңыз. Электр құралды аккумуляторға жалғаудан, шығарудан немесе тасудан бұрын оның өшірулі екеніне көз жеткізіңіз. Электр құралды тасымалдағанда саусақтар сөндіргіште болатын немесе қосылған электр құрал желіге қосылатын жағдайлар сәтсіз жағдайларға әкелуі мүмкін.
- ▶ Электр құралын қосу алдында реттеуші құрылғыларды және гайка кілтін алыңыз. Электр құралының айналатын бөлігіндегі аспап немесе кілт жарақаттарға әкелуі мүмкін.
- ▶ Жұмыс кезінде ыңғайсыз қалыптарға тұрмауға тырысыңыз. Үнемі тұрақты күйді және тепе-теңдікті сақтаңыз. Бұл күтпеген жағдайларда электр құралын жақсырақ басқаруға мүмкіндік береді.
- ▶ Арнайы киімді киіңіз. Өте бос киімді немесе әшекейлерді кимеңіз. Шашты, киімді және қолғапты электр құралының айналатын түйіндерінен сақтаңыз. Бос киім, әшекейлер және ұзын шаш оларға ілінуі мүмкін.
- ▶ Егер шаңды жинау және кетіруге арналған құрылғыларды қосу қарастырылған болса, олар қосылғанына және мақсаты бойынша қолданылып жатқанына көз жеткізіңіз. Шаңды кетіруге модулін пайдалану шаңның зиянды әсерін азайтады.

**Электр құралын қолдану және оған қызмет көрсету**

- ▶ Аспапқа шамадан тыс жүктеме түсуін болдырмаңыз. Нақ осы жұмысқа арналған электр құралын қолданыңыз. Бұл ережені сақтау көрсетілген қуат диапазонында жоғарырақ жұмыс сапасын және қауіпсіздігін қамтамасыз етеді.
- ▶ Сөндіргіші бұзылған электр құралын қолданбаңыз. Қосу немесе өшіру қиын электр құралы қауіпті және оны жөндеу керек.
- ▶ Аспапты орнату жұмыстарын орындаудан, керек-жарақтарды ауыстырудан немесе аспапты сақтауға қоюдан бұрын аккумуляторды шығарып алыңыз. Бұл сақтық шарасы электр құралдың кездейсоқ қосылуын болдырмайды.
- ▶ Қолданылмайтын электр құралдарды балалар жетпейтін жерде сақтаңыз. Электр құралды оны пайдалана алмайтын немесе осы нұсқауларды оқып шықпаған тұлғаларға бермеңіз. Электр құралдар тәжірибесі жоқ пайдаланушылардың қолында қауіпті болады.
- ▶ Электр құралдарға мұқият күтім көрсетіңіз. Айналымды бөліктерді мүлтіксіз қызмет ететінін, олардың жүрісінің жеңілдігін, барлық бөліктердің тұтастығын және электр құралдың жұмысына теріс әсер етуі мүмкін зақымдардың жоқтығын тексеріңіз. Аспаптың зақымдалған бөліктерін оны қолдану алдында жөндеуге өткізіңіз. Электр құралға техникалық қызмет көрсету ережелерін сақтамау көп сәтсіз жағдайлардың себебі болып табылады.
- ▶ Кескіш аспаптардың үшкір және таза болуын қадағалау керек. Жұмыс күйінде сақталатын кескіш аспаптардың сыналануы сиректеу болады, оларды басқару жеңілдеу.
- ▶ Электр құралын, саймандарды, көмекші құрылғыларды және т.б. нұсқауларға сай пайдаланыңыз. Бұл кезде жұмыс жағдайларын және орындалатын жұмыстың сипатын ескеріңіз. Электр құралдарын басқа мақсаттарда қолдану қауіпті жағдайларға әкелуі мүмкін.

**Аккумуляторлық аспапты пайдалану және оған қарау**

- ▶ Аккумуляторды тек өндіруші ұсынған зарядтағыш құрылғылардың көмегімен зарядтаңыз. Зарядтағыш құрылғыны тиісті емес аккумулятор түрлерін зарядтау үшін қолданғанда өрт туындауы мүмкін.
- ▶ Аспаппен жұмыс істеу үшін тек тиісті аккумуляторларды қолданыңыз. Басқа аккумуляторларды пайдалану жарақаттарға әкелуі және өрт тудыруы мүмкін.
- ▶ Пайдаланылмайтын аккумуляторларды контакттардың тұйықталуының себебі болуы мүмкін скрепкалардан, тиындардан, кілттерден, инелерден, винттерден және басқа металл





заттардан ары сақтаңыз. Аккумулятор контактарының тұйықталуы күйіктерге немесе тұтануға әкелуі мүмкін.

- ▶ **Аккумулятормен тиісті емес түрде жұмыс істегенде одан электролит ағып шығуы мүмкін. Оған тиюді болдырмаңыз.** Аккумулятордан ағып шыққан электролит тері тітіркенуін немесе күйіктерді тудыруы мүмкін. Кездейсоқ тигенде сумен шайыңыз. Электролит көзге тигенде дәрігер көмегіне жүгініңіз.

#### Қызмет

- ▶ **Электр құралды жөндеуді тек түпнұсқа қосалқы бөлшектерді қолданатын білікті қызметкерлерге сеніп тапсырыңыз.** Бұл электр құралды қауіпсіз күйде сақтауды қамтамасыз етеді.

## 2.2 Перфоратор қауіпсіздігі бойынша қосымша нұсқаулар

### Адамдардың қауіпсіздігі

- ▶ Өнімді тек техникалық мінсіз күйінде қолданыңыз.
- ▶ Аспапта ешқашан бейімдеу не өзгерту жұмыстарын орындамаңыз.
- ▶ Аспап жинағына кіретін қосымша тұтқыштарды қолданыңыз. Аспапты басқаруды жоғалту жарақаттарға әкелуі мүмкін.
- ▶ Тесіп өтетін бұрғылау кезінде қауіпті аймақты қабырғаның қарама-қарсы жағынан қоршаңыз. Сыртқа шығатын және/немесе төмен түсетін сынықтар адамдарға жарақат тигізуі мүмкін.
- ▶ Әрқашан аспапты екі қолмен тұтқыштарынан берік ұстаңыз. Тұтқышты құрғақ әрі таза күйінде ұстаңыз.
- ▶ Пайдаланатын аспабыңыз көзден таса электр желісіне тиіп көтуі мүмкін болса, аспаптың арнайы жеке бөлінген жерінен ұстаңыз. Электр сымдарына тигенде аспаптың қорғалмаған металл бөліктері кернеу астында болады. Бұл электр тогының соғуына әкелуі мүмкін.
- ▶ Аспаптың айналатын бөлшектеріне тименіңіз - жарақат алу қаупі бар!
- ▶ Аспапты қолданған кезде арнайы қорғаныс көзілдірігіңіз, қорғаныс шлемін, құлаққап, қорғаныс қолғап пен жеңіл респиратор тағып жүріңіз.
- ▶ Құралды алмастырған кезде қорғаныс қолғаптарын да киіңіз. Алмалы-салмалы аспапқа тию кесіктерге және күйіктерге апарып соғуы мүмкін.
- ▶ Қорғауыш көзілдіріктерді пайдаланыңыз. Материалдың сынықтары денені және көзді жарақаттауы мүмкін.
- ▶ Жұмысты бастау алдында дайындама материалы бойынша пайда болатын шаңның қауіп класын анықтаңыз. Аспаппен жұмыс істеу үшін қорғаныс дәрежесі қолданыстағы шаңнан қорғау нормаларына сай құрылыс шаңсорғышын қолданыңыз. Құрамында қорғасын бар бояулар, ағаштың кейбір түрлері, бетон/кірпіш қалауы/кварц қамтитын жыныстар және минералдар мен металл сияқты материалдардан пайда болатын шаң денсаулық үшін зиянды болуы мүмкін.
- ▶ Жұмыс орнындағы ауа алмасуды жақсарту үшін әрекет етіңіз және қажетінше тиісті шаңға арналған респираторды тағыңыз. Мұндай шаңның бөлшектерімен дем алу немесе оған тию пайдаланушыларда немесе жанындағы адамдарда аллергиялық реакциялардың және/немесе дем алу жолдары ауруларының пайда болуына әкелуі мүмкін. Кейбір шаң түрлері (мысалы, еменді немесе шамшатты өңдеу кезінде пайда болатын шаң) канцерогенді деп есептеледі, әсіресе ағашты өңдеу үшін қолданылатын қосымша материалдармен (хром қышқылының тұзы, ағашты қорғау заттары) тіркесімде. Құрамында асбест бар материалдарды тек мамандар өңдеуі керек.
- ▶ Саусақтарыңыздың қандандыруын жақсарту үшін үзіліс жасап, жаттығулар жасаңыз. Ұзақ уақыт жұмыс істеген кезде, дірілдердің салдарынан саусақ, қол не буындардың қантамасы не жүйкесіне кері әсер тиюі мүмкін.

### Электр қауіпсіздігі

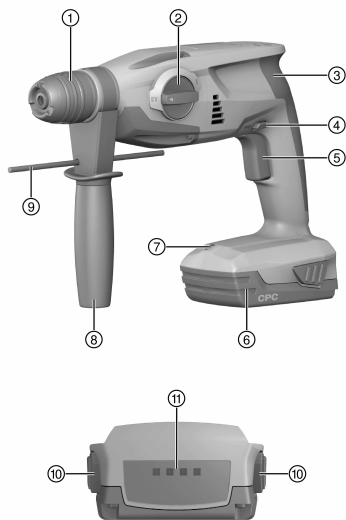
- ▶ Жұмысты бастамас бұрын, жұмыс аймағындағы электрлік сымдар, газ бен су құбырлары жабық екендігіне көз жеткізіңіз. Ток сымна байқамастан зақым келтірген жағдайда, аспаптағы сыртта орналасқан металл бөлшектер ток соғу қаупін тудыруы мүмкін.

### Электр құралмен дұрыс жұмыс істеу және оны дұрыс пайдалану

- ▶ Құрал блокталған кезде электр құралды бірден өшіріңіз. Аспап бүйірімен ауытқуы мүмкін.
- ▶ Электр құралды алып тастау алдында оның толығымен тоқтатылған күйге орнатылғанына дейін күтіңіз.



#### 3.1 Өнімге шолу



- ① Қысу қысқысы TE-C Click
- ② Жұмыс режимдерінің ауыстырып-қосқышы
- ③ Тұтқыш
- ④ Қосуды бұғаттауы бар солға/оңға айнарудың ауыстырып-қосқышы
- ⑤ Сөндіргіш
- ⑥ Аккумулятор
- ⑦ Жұмыс орнындағы жарықтандыру
- ⑧ Бүйірлік тұтқыш
- ⑨ Тереңдік шектегіші
- ⑩ Аккумулятор заряды деңгейінің көрсеткішін белсендірудің қосымша функциясы бар бұғаттау түймесі
- ⑪ Аккумулятордың зарядтау күйін көрсеткіш

#### 3.2 Мақсатына сай қолдану

Сипатталған өнім аккумуляторлық перфоратор болып табылады. Ол болат, ағаш пен кірпіш қалауды бұрғылау, бетон мен кірпіш қалауды соққымен бұрғылау және бұрандаларды бұрап бекітуге және босатуға арналған.

- Бұл өнім үшін тек В 22 сериялы **Hilti** Li-Ion аккумуляторларын ғана пайдаланыңыз.
- Бұл аккумуляторлар үшін тек **Hilti** компаниясы мақұлдаған зарядтағыш құрылғыларды қолданыңыз. Қосымша ақпаратты **Hilti Store** дүкенінен немесе мына веб-сайттан алуға болады: [www.hilti.group](http://www.hilti.group)

#### 3.3 Литий-иондық аккумулятор зарядының күйін көрсеткіш

Литий-иондық аккумуляторларды қолданған кезде зарядтау күйін бұғаттау түймесін түрту арқылы көрсетуге болады.

Құралдың бөлшектері	Сипаттамасы
4 жарық диоды жанады.	Зарядтау күйі: 75 % - 100 %
3 жарық диоды жанады.	Зарядтау күйі: 50 % - 75 %
2 жарық диоды жанады.	Зарядтау күйі: 25 % - 50 %
1 жарық диоды жанады.	Зарядтау күйі: 10 % - 25 %
1 жарық диоды жыпықтайды.	Зарядтау күйі: < 10 %

Жұмыс уақытында және бірден жұмысты аяқтағаннан кейін зарядталу деңгейі туралы сұрау мүмкін емес. Аккумулятордың зарядталу деңгейі жарық диодтары жыпылықтаған жағдайда «Ақаулықтарды жою» бөліміндегі нұсқауларға назар аударыңыз.



### 3.4 Жеткізілім жинағы

Перфоратор, бүйірлік тұтқыс, тереңдік шектегіші, пайдалану бойынша нұсқаулық.

TE DRS-S шаңсорғыш модулі керек-жарақ ретінде шаңсыз жұмыс істеуді қамтамасыз ету үшін ұсынылады.

Оған қоса өніміңіз үшін рұқсат етілген жүйелік өнімдерді **Hilti Store** дүкенінде немесе мына веб-сайттан табуға болады: [www.hilti.group](http://www.hilti.group)

## 4 Техникалық сипаттамалар

### 4.1 Перфоратор

	<b>TE 2-A22</b>
<b>Номиналды кернеу</b>	21,6 В
<b>ЕРТА Procedure 01 бойынша салмағы, B22/8.0 аккумуляторын қоса</b>	3,3 кг
<b>Бетонда/қаланған кірпіште (соғатын бұрғылау) бұрғылау диаметрінің диапазоны</b>	4 мм ... 16 мм
<b>Металда бұрғылау диаметрлерінің диапазоны (қатты бұрғылау бұрғысы)</b>	0 мм ... 10 мм
<b>Ұзындығы максималды тереңдік шектегіші</b>	180 мм

### 4.2 Шуыл туралы ақпарат және діріл мәні

Осы нұсқауларда көрсетілген дыбыс қысымы мен діріл деңгейі стандартты өлшеу әдісімен өлшенген және оны басқа электр құралдарымен салыстыру үшін пайдалануға болады. Сонымен бірге, ол экспозицияны алдын ала бағалау үшін жарайды. Берілген деректер электр құралдың негізгі жұмысын көрсетеді. Алайда, егер электр құралы басқа мақсаттарда, басқа жұмыс аспаптарымен қолданылса немесе оған қанағаттандырмайтын техникалық қызмет көрсетілсе, деректер өзгеше болуы мүмкін. Осының салдарынан аспаптың бүкіл жұмыс істеу кезеңінде экспозиция айтарлықтай артуы мүмкін. Экспозицияны дәл анықтау үшін аспап сендірілген күйде немесе бос жұмыс істейтін уақыт аралықтарын да ескеру керек. Осының салдарынан аспаптың бүкіл жұмыс істеу кезеңінде экспозиция айтарлықтай азаюы мүмкін. Пайдаланушыны пайда болатын шуылдан және/немесе дірілден қорғау үшін қосымша сақтық шараларын қолданыңыз, мысалы: электр құралға және алмалы-салмалы аспаптарға техникалық қызмет көрсету, қолдардың жылуын сақтау, жұмыс процестерін дұрыс ұйымдастыру.

**EN 60745 стандарты бойынша есептелген шуылдың эмиссиялық көрсеткіші**

<b>Дыбыс күшінің деңгейі (<math>L_{WA}</math>)</b>	103 дБ(A)
<b>Дыбыс күшінің деңгейі бойынша дәлсіздік (<math>K_{WA}</math>)</b>	3 дБ(A)
<b>Эмиссиялық дыбыс қысымының деңгейі (<math>L_{pA}</math>)</b>	92 дБ(A)
<b>Дәлсіздік, дыбыс қысымының деңгейі (<math>K_{pA}</math>)</b>	3 дБ(A)

**Дірілдің жалпы мәні (үш бағыт бойынша векторлардың саны), EN 60745 стандартына сәйкес анықталған**

<b>Бетонда бұрғылау (<math>a_{h, HD}</math>)</b>	15 м/с <sup>2</sup>
<b>Металл бойынша бұрғылау (<math>a_{h, D}</math>)</b>	2,5 м/с <sup>2</sup>
<b>Дәлсіздік (K)</b>	1,5 м/с <sup>2</sup>

### 4.3 Аккумулятор

<b>Аккумулятордың жұмыс кернеуі</b>	21,6 В
<b>Жұмыс кезіндегі қоршаған орта температурасы</b>	-17 °C ... 60 °C
<b>Сақтау температурасы</b>	-20 °C ... 40 °C
<b>Зарядтаудың басындағы аккумулятор температурасы</b>	-10 °C ... 45 °C



## 5 Қызмет көрсету

### 5.1 Жұмысқа дайындық

#### АБАЙЛАҢЫЗ

**Жарақат алу қаупі абайсыздан қосылу себебінен!**

- ▶ Аккумуляторды орнату алдында оған қатысты өнімнің өшірілгеніне көз жеткізіңіз.
- ▶ Аспап реттеулерін орындау немесе қосалқы бөлшектерді алмастыру алдында аккумуляторды шығарыңыз.

Осы құжаттамадағы және өнімдегі қауіпсіздік және ескерту нұсқауларын орындаңыз.

#### 5.1.1 Бүйірлік тұтқышты орнату

1. Бүйірлік тұтқыштың ұстағышын (тартылмалы таспаны) босату үшін, тұтқыш бойынша айналдырыңыз.
2. Ұстағышты (тартылмалы таспаны) алдыңғы жақтан құрал бекіткіші арқылы арнайы қарастырылған гайкаға дейін жылжытыңыз.
3. Бүйірлік тұтқышты қалаулы орынға орналастырыңыз.
4. Бүйірлік тұтқыштың ұстағышын (тартылмалы таспаны) керу үшін, тұтқыш бойынша айналдырыңыз.

#### 5.1.2 Аккумуляторды орнату

1. Аккумуляторды құрылғы ұстатқышына тырс еткен дыбыс шыққанша мұқият салыңыз.
2. Аккумулятордың аспапқа берік бекітілгенін тексеріңіз.

#### 5.1.3 Аккумуляторды шығару

1. Аккумулятордағы блоктан шығару түймешіктерін басыңыз.
2. Аккумуляторды шығарыңыз.

#### 5.1.4 Алмалы-салмалы аспапты енгізу

1. Алмалы-салмалы аспап ұшын аздап майлаңыз.
  - ▶ Тек Hilti компаниясы ұсынған түпнұсқа жағармай қолданыңыз. Қате майды қолдану аспапқа зақым келтіруі мүмкін.
2. Алмалы-салмалы аспапты аспап қысқысына тірелгенше салыңыз.
3. Орнатқаннан кейін қысқыда берік бекітілгеніне көз жеткізу үшін жұмыс аспабын өзіңізге тартыңыз.
  - ▶ Өнім жұмысқа дайын.

#### 5.1.5 Алмалы-салмалы аспапты шығару

#### ЕСКЕРТУ

**Жарақат алу қаупі** Құрал қолдану кезінде қызып кетеді.

- ▶ Құралды алмастырған кезде қорғауыш қолғаптарды киіңіз.

- ▶ Құрал құлпын шегіне дейін артқа тартыңыз және алмалы-салмалы аспапты шығарыңыз.

#### 5.1.6 Тереңдік шектегішін орнату (қосымша)

1. Бүйірлік тұтқыштың ұстағышын (тартылмалы таспаны) босату үшін, тұтқыш бойынша айналдырыңыз.
2. Тереңдік шектегішін алдыңғы жақтан арнайы қарастырылған 2 бағыттауыш саңылау ішіне жылжытыңыз.
3. Бүйірлік тұтқыштың ұстағышын (тартылмалы таспаны) керу үшін, тұтқыш бойынша айналдырыңыз.

### 5.2 Жұмыс істеу

#### НАЗАР АУДАРЫҢЫЗ

**Зақымдалу қаупі. қате қолдану себебінен!**

- ▶ Сөндіргішті жұмыс барысында айналу бағытын және/немесе функцияны таңдау үшін пайдаланбаңыз.

Осы құжаттамадағы және өнімдегі қауіпсіздік және ескерту нұсқауларын орындаңыз.



## 5.2.1 Жұмыс орнындағы жарықтандыру



Жарық диоды негізгі сәндірілгенді басқан кезде автоматты түрде белсендіреді. Сәндірілгенді жібергенде жарық диоды бірден сөнөді.

- ▶ Бұғаттаудан шығару түймесін басыңыз.

## 5.2.2 Айналу бағыты

- ▶ Айналу бағытын орнатыңыз.
  - ▶ Ажыратқыш осы позицияда тіркеледі.

## 5.2.3 Соққысыз бұрғылау

- ▶ Функцияны таңдау қосқышын осы белгіге орнатыңыз:

## 5.2.4 Соққымен бұрғылау

- ▶ Функцияны таңдау қосқышын осы белгіге орнатыңыз:

## 6 Күту және техникалық қызмет көрсету

### 6.1 Күту және техникалық қызмет көрсету



#### ЕСКЕРТУ

**Аккумулятор енгізілген кезде жарақат алу қаупі бар !**

- ▶ Күтім және техникалық қызмет көрсету бойынша кез келген жұмыстарды орындамас бұрын әрдайым аккумуляторды шығарыңыз!

#### Аспапқа қызмет көрсету

- Қатты жабысқан кірді мұқият кетіріңіз.
- Желдету ойықтарын құрғақ қылшақпен жайлап тазалаңыз.
- Корпусты тек сәл суланған шүберекпен тазалаңыз. Ешқандай силикон қамтитын күтім құралдарын пайдаланбаңыз, өйткені олар пластмасса бөлшектерін зақымдауы мүмкін.

#### Литий-иондық аккумуляторға қызмет көрсету

- Аккумуляторды май мен майлағыштан таза күйінде ұстаңыз.
- Корпусты тек сәл суланған шүберекпен тазалаңыз. Ешқандай силикон қамтитын күтім құралдарын пайдаланбаңыз, өйткені олар пластмасса бөлшектерін зақымдауы мүмкін.
- Ылғалдың кіруін болдырмаңыз.

#### Техникалық қызмет көрсету

- Барлық көзге көрінетін бөлшектерде зақымдардың бар-жоғын және басқару элементтерінің ақаусыз жұмысын жиі тексеріп тұрыңыз.
- Өнім зақымдалған және/немесе ақаулы болған жағдайда оны пайдаланушы болмаңыз. Бірден **Hilti** қызмет көрсету орталығына жөндетіңіз.
- Күтім және техникалық қызмет көрсету жұмыстарынан кейін барлық қорғаушы құрылғыларды орнатып, жұмысын тексеріңіз.



Қауіпсіз қолдану үшін тек түпнұсқа қосалқы бөлшектер мен жұмсалатын материалдарды қолданыңыз. Біз рұқсат еткен қосалқы бөлшектер, шығын материалдары мен өнімге арналған керек-жарақтар **Hilti Store** дүкенінде немесе келесі веб-сайтта қолжетімді: [www.hilti.group](http://www.hilti.group).

### 6.2 Шаңнан қорғайтын қапты тазалау

- ▶ Құрал бекіткішіндегі шаңнан қорғайтын қапты таза, құрғақ шүберекпен тұрақты түрде тазалаңыз.
- ▶ Тығыздағышты жайлап тазалап сүртіңіз және оған **Hilti** жағармайының аз қабатын жағыңыз.
- ▶ Тығыздағыш зақымдалған болса, шаңнан қорғайтын қапты міндетті түрде ауыстырыңыз.



## 7 Тасымалдау және сақтау

### 7.1 Аккумуляторлық аспаптарды тасымалдау және сақтау

#### Тасымалдау

##### АБАЙЛАҢЫЗ

Тасымалдау кезіндегі кенет іске қосылу !

- ▶ Өніміңізді әрдайым аккумуляторын шығарып алып тасымалдаңыз!
- ▶ Аккумуляторларды шығарыңыз.
- ▶ Аккумуляторларды ешқашан үймеде тасымалдамаңыз.
- ▶ Аспапты немесе аккумуляторларды ұзақ уақыт тасымалдаған соң, оларды пайдалану алдында зақымдарының бар-жоғын тексеріңіз.

#### Сақтау

##### АБАЙЛАҢЫЗ

Бүлінген немесе заряды таусылған аккумуляторлардан күтілмеген зақымдалу !

- ▶ Өніміңізді әрдайым аккумуляторын шығарып алып сақтаңыз!
- ▶ Аспап пен аккумуляторларды мүмкіндігінше салқын және құрғақ күйінде сақтаңыз.
- ▶ Аккумуляторларды ешқашан күн, жылу көздерінің астында немесе өйнек артында сақтамаңыз.
- ▶ Аспап пен аккумуляторларды балалар мен рұқсаты жоқ адамдардың қолы жетпейтін жерде сақтаңыз.
- ▶ Аспапты немесе аккумуляторларды ұзақ уақыт сақтаған соң, оларды пайдалану алдында зақымдарының бар-жоғын тексеріңіз.

## 8 Ақаулықтарды жою

### 8.1 Ақаулықтардағы көмек

Бұл кестеде келтірілмеген немесе өзіңіз түзете алмайтын ақаулықтар орын алғанда, Hilti қызмет көрсету орталығына хабарласыңыз.

### 8.2 Перфоратор қолданылуға жарамды емес

Ақаулық	Ықтимал себеп	Шешім
Перфоратор жұмыс істемейді.	Перфораторға шамадан тыс жүктеме түсті.	▶ Перфораторды өшіріңіз, аккумуляторды шығарыңыз және перфораторды ары қарай қолданбаңыз.
Жарық диодтары өшірулі.	Аккумулятор толығымен салынбаған.	▶ Аккумуляторды қос шырт еткен дыбыс естілгенше бекітіңіз.
	Аккумулятор зарядын босатыңыз.	▶ Аккумуляторды алмастырып, бос аккумуляторды зарядтаңыз.
	Аккумулятор қызып немесе суып кетті.	▶ Аккумуляторды жұмыс температурасына дейін жеткізіңіз.
1 жарық диоды жыпықтайды.	Аккумулятор зарядын босатыңыз.	▶ Аккумуляторды алмастырып, бос аккумуляторды зарядтаңыз.
	Аккумулятор қызып немесе суып кетті.	▶ Аккумуляторды жұмыс температурасына дейін жеткізіңіз.
4 жарық диоды жыпылықтайды.	Перфораторға қысқа мерзімді шамадан тыс жүктеме түсті.	▶ Негізгі сөндіргішті босатып, қайта басыңыз.
	Қызып кетуден қорғау.	▶ Перфораторды салқындатып, желдету саңылауын тазалаңыз.



### 8.3 Перфоратор қолданылуға жарамды

Ақаулық	Ықтимал себеп	Шешім
Соғатын бұрғылау орындалмайды.	Перфоратор тым суық.	► Перфораторды жерге қойып, бос жүріспен жұмыс істетіңіз. Қажет болса, соққы механизмі жұмыс істегенше әрекетті қайталаңыз.
	Функцияны таңдау қосқышы «Соққысыз бұрғылау» күйінде	► Функцияны таңдау қосқышын «Соққысыз бұрғылау»  күйіне орнатыңыз.
Сөндіргіш басылмайды, яғни, бұғатталған.	Оңға/солға айналу ауыстырып-қосқышы ортаңғы күйде.	► Оңға/солға айналу айырып-қосқышын оңға не солға бұраңыз.
Аспап шпинделі айналмайды.	Перфоратордың электрондық бөлшектерінің рұқсат етілген температурасы асырылған.	► Перфораторды суытыңыз.
	Аккумулятор зарядын босатыңыз.	► Аккумуляторды алмастырып, бос аккумуляторды зарядтаңыз.
Перфоратор автоматты түрде өшіріледі.	Шамадан тыс жүктеме қорғанысы іске қосылды.	► Негізгі сөндіргішті жіберіңіз. Перфораторды суытыңыз. Негізгі сөндіргішті қайтадан басыңыз. Аспап жүктемесін төмендетіңіз.
Аккумулятор заряды әдеттегіден тезірек бітеді.	Аккумулятордың күйі оңтайлы емес.	► Аккумуляторды жаңартыңыз.
Аккумулятор бекітілгенде оған тән "қос шырт еткен дыбыс" естілмейді.	Аккумулятордағы құлып шоқылары кірленген.	► Тіреуіш шығыңқы жерлерін тазалаңыз және аккумуляторды қайтадан салыңыз.
Перфоратор не аккумуляторда қатты ыстық пайда болды.	Электрлік ақаулық	► Перфораторды бірден өшіріңіз. Аккумуляторды алып тастап, бақылаңыз. Сууға уақыт беріңіз. <b>Hilti</b> қызмет көрсету орталығына хабарласыңыз.
	Перфораторға шамадан тыс жүктеме түсті (қолдану шегінен асты.	► Қолдануға жарамды аспапты таңдаңыз.
Аспап бекіткіштен босатылмайды.	Аспап патроны толық тартылмаған.	► Құрал құлпын шегіне дейін артқа тартыңыз және құралды шығарыңыз.
Қондырма алынбайды.	Перфоратор сол жақ айналым күйіне ауысты.	► Оңға/солға айналу ауыстырып-қосқышын оң күйге өткізіңіз.

## 9 Кәдеге жарату

**Hilti** аспаптары қайта өңдеу үшін жарамды көптеген материалдардың санын қамтиды. Кәдеге жарату алдында материалдарды мұқият сұрыптау керек. Көптеген елдерде **Hilti** компаниясы ескі аспабыңызды қайта өңдеу үшін қайта қабылдайды. **Hilti** қызмет көрсету орталығынан немесе дилеріңізден сұраңыз.



- Электр құралдарды, электрондық құрылғылар мен аккумуляторларды тұрмыстық қоқыспен бірге тастамаңыз!



► Кепілдік шарттары туралы сұрақтарыңыз болса, жергілікті Hilti серіктесіне хабарласыңыз.

## オリジナル取扱説明書

### 1 文書について

#### 1.1 本書について

- ご使用前に本書をすべてお読みください。このことは、安全な作業と問題のない取扱いのための前提条件となります。
- 本書および製品に記載されている安全上の注意と警告表示に注意してください。
- 取扱説明書は常に製品とともに保管し、他の人が使用する場合には、製品と取扱説明書を一緒にお渡しください。

#### 1.2 記号の説明

##### 1.2.1 警告表示

警告表示は製品の取扱いにおける危険について警告するものです。以下の注意喚起語が使用されています：

**危険**

**危険！**

► この表記は、重傷あるいは死亡事故につながる危険性がある場合に注意を促すために使われます。

**警告**

**警告！**

► この表記は、重傷あるいは死亡事故につながる可能性がある場合に注意を促すために使われます。

**注意**

**注意！**

► この表記は、軽傷あるいは物財の損傷が発生する可能性がある場合に使われます。

##### 1.2.2 本書の記号

本書では、以下の記号が使用されています：

	使用前に取扱説明書をお読みください
	本製品を効率良く取り扱うための注意事項や役に立つ情報
	リサイクル可能な部品の取扱い
	工具およびバッテリーを一般ゴミとして廃棄してはなりません

##### 1.2.3 図中の記号

図中では以下の記号が使用されています：

	この数字は本取扱説明書冒頭にある該当図を示しています
	付番は図中の作業手順の順序に対応していて、本文の作業手順とは一致しない場合があります
	概要図には項目番号が付されていて、製品概要セクションの凡例の番号に対応しています
	この記号は、製品の取扱いの際に特に注意が必要なことを示しています。





### 1.3 製品により異なる記号

#### 1.3.1 製品に表示されている記号

製品には以下の記号が使用されている場合があります：

	回転のみ
	回転 + 打撃 (回転 + 打撃)
	正逆回転機能
$n_0$	無負荷回転数
/min	毎分回転数
	直流
Li-Ion	Li-Ionen バッテリー
	使用されているHilti Li-Ion バッテリーのモデルシリーズ。正しい使用の章の記載に注意してください。
	バッテリーは決して打撃工具として使用しないでください。
	バッテリーは落下させないでください。ぶつけたり、あるいはその他の理由で損傷しているバッテリーは使用しないでください。
	本体は、iOS および Android プラットフォームと互換性のある NFC テクノロジーをサポートしています。

### 1.4 製品情報

製品はプロ仕様で製作されており、その使用、保守、修理を行うのは、認定を受けトレーニングされた人のみに限ります。これらの人は、遭遇し得る危険に関する情報を入手していなければなりません。製品およびアクセサリーの使用法を知らない者による誤使用、あるいは規定外の使用は危険です。

機種名および製造番号は銘板に表示されています。

- ▶ 製造番号を以下の表に書き写しておいてください。ヒルティ代理店やサービスセンターへお問い合わせの際には、製品データが必要になります。

#### 製品データ

機種名：	TE 2-A22
製品世代：	02
製造番号：	

### 1.5 適合宣言

当社は、単独の責任において本書で説明している製品が有効な基準と標準規格に適合していることを宣言します。適合宣言書の複写は本書の末尾にあります。

技術資料は本書の後続の頁に記載されています：

Hilti Entwicklungsgesellschaft mbH | Zulassung Geräte | Hiltistraße 6 | 86916 Kaufering, JA

## 2 安全

### 2.1 電動工具の一般安全注意事項

**⚠ 警告事項！ 安全上の注意および指示事項をすべてお読みください。これらを守らないと、感電、火災および / または重傷事故の危険があります。**

安全上の注意および指示事項が書かれた説明書はすべて大切に保管してください。

#### 作業環境に関する安全

- ▶ 作業場はきれいに保ち、十分に明るくしてください。ちらかった暗い場所での作業は事故の原因となります。



- ▶ 爆発の危険性のある環境（可燃性液体、ガスおよび粉じんのある場所）では電動工具を使用しないでください。電動工具から火花が飛散し、粉じんや揮発性ガスに引火する恐れがあります。
- ▶ 電動工具の使用時、子供や無関係者を作業場へ近づけないでください。作業中に気がそらされると、本体のコントロールを失ってしまう恐れがあります。

#### 電気に関する安全注意事項

- ▶ パイプ、ラジエーター、電子レンジ、冷蔵庫などのアースされた面に体の一部が触れないようにしてください。体が触れると感電の危険が大きくなります。
- ▶ 電動工具を雨や湿気から保護してください。電動工具に水が浸入すると、感電の危険が大きくなります。

#### 作業者に関する安全

- ▶ 電動工具を使用の際は、油断せずに十分注意し、常識をもった作業をおこなってください。疲れている場合、薬物、医薬品服用およびアルコール飲用による影響下にある場合には電動工具を使用しないでください。電動工具使用中の一瞬の不注意が重傷の原因となることがあります。
- ▶ 個人用保護具および保護メガネを常に着用してください。負傷の危険を低減するために、電動工具の使用状況に応じた粉じんマスク、耐滑性の安全靴、ヘルメット、耳栓などの個人用保護具を着用してください。
- ▶ 電動工具の不意な始動は避けてください。電動工具をバッテリーに接続する前や持ち上げたり運んだりする前に、電動工具がオフになっていることを確認してください。電動工具のスイッチに指を掛けたまま運んだり、スイッチオンになっている本体を電源に接続すると、事故の原因となる恐れがあります。
- ▶ 電動工具のスイッチを入れる前に、必ず調節キーやレンチを取り外してください。調節キーやレンチが本体の回転部に装着されたままでは、けがの原因となる恐れがあります。
- ▶ 作業中は不安定な姿勢をとらないでください。足元を安定させ、常にバランスを保つようにしてください。これにより、万一電動工具が異常状況に陥った場合にも、適切な対応が可能となります。
- ▶ 作業に適した作業着を着用してください。だぶだぶの衣服や装身具を着用しないでください。髪、衣服、手袋を本体の可動部に近づけないでください。だぶだぶの衣服、装身具、長い髪が可動部に巻き込まれる恐れがあります。
- ▶ 吸じんシステムの接続が可能な場合には、これらのシステムが適切に接続、使用されていることを確認してください。吸じんシステムを利用することにより、粉じん公害を防げます。

#### 電動工具の使用および取扱い

- ▶ 無理のある使用を避けてください。作業用途に適した電動工具を使用してください。適切な電動工具の使用により、効率よく、スムーズかつ安全な作業が行えます。
- ▶ スイッチが故障している場合には、電動工具を使用しないでください。スイッチで始動および停止操作のできない電動工具は危険ですので、修理が必要です。
- ▶ 本体の設定やアクセサリーの交換を行う前や本体を保管する前には、バッテリーを取り外してください。この安全処置により、電動工具の不意の始動を防止することができます。
- ▶ 電動工具をご使用にならない場合には、子供の手の届かない場所に保管してください。本体に関する知識のない方、本説明書をお読みでない方による本体のご使用は避けてください。未経験者による電動工具の使用は危険です。
- ▶ 電動工具は慎重に手入れしてください。可動部分が引っ掛かりなく正常に作動しているか、電動工具の運転に影響を及ぼす各部分が破損・損傷していないかを確認してください。電動工具を再度ご使用になる前に、損傷部分の修理を依頼してください。発生事故の多くは保守管理の不十分な電動工具の使用が原因となっています。
- ▶ 先端工具は鋭利で汚れない状態を保ってください。お手入れのゆきとどいた先端工具を使用すると、作業が簡単かつ、スムーズになります。
- ▶ 電動工具、アクセサリー、先端工具などは、それらの説明書に記載されている指示に従って使用してください。その際は、作業環境および用途についてもご注意ください。指定された用途以外に電動工具を使用すると危険な状況をまねく恐れがあります。

#### バッテリー工具の使用および取扱い

- ▶ バッテリーを充電する場合は、必ずメーカー推奨の充電器を使用してください。特定タイプのバッテリー専用の充電器を他のバッテリーに使用すると、火災の恐れがあります。
- ▶ 電動工具には、必ず指定されたバッテリーを使用してください。指定以外のバッテリーを使用すると、負傷や火災の恐れがあります。
- ▶ 使用されていないバッテリーの近くに、事務用クリップ、硬貨、キー、釘、ネジ、その他の小さな金属物を置かないでください。電気接点の短絡が起こることがあります。バッテリーの電気接点間が短絡すると、火傷や火災が発生する危険があります。
- ▶ バッテリーを正しく使用しないと、液漏れが発生することがあります。その場合、漏れた液には触れないでください。流出したバッテリー液により、皮膚が刺激を受けたり火傷を負う恐れがあります。誤ってバッテリー液に触れてしまった場合は、水で洗い流してください。バッテリー液が眼に入った場合は、水で洗い流して医師の診断を受けてください。



## サービス

- ▶ 電動工具の修理は必ず認定サービスセンターにお申し付けください。また、必ず純正部品を使用してください。これにより電動工具の安全性が確実に維持されます。

## 2.2 ローターハンマードリルに関するその他の安全上の注意

### 作業者に関する安全

- ▶ 本製品は、必ず技術的に問題のない状態で使用してください。
- ▶ 本体は決して加工や改造を加えないでください。
- ▶ 本体には一緒に納品された補助ハンドルを使用してください。これ以外のハンドルを使用すると、コントロールを失ってけがをする恐れがあります。
- ▶ 剥がし作業の場合には、作業側と反対の領域を保護してください。剥がれた部分が脱落、落下して他の人を負傷させる危険があります。
- ▶ 本体は、常に両手でグリップを掴んでしっかりと保持してください。グリップは乾燥した清潔な状態を保ってください。
- ▶ 先端工具が隠れた電線に接触する可能性のある作業を行う場合は、必ず本体の絶縁されたグリップを持ってください。通電しているケーブルと接触すると、本体の金属部分にも電圧がかかり、感電の危険があります。
- ▶ 回転部品に触れないでください - 負傷の危険！
- ▶ 本体の使用中は、適切な保護メガネ、保護ヘルメット、耳栓、保護手袋および防じんマスクを着用してください。
- ▶ 保護手袋は先端工具の交換時にも着用してください。先端工具に触れると、切創事故や火傷の原因となることがあります。
- ▶ アイシールドを着用してください。破片が身体の一部、眼などを傷つけることもあります。
- ▶ 作業開始前に、作業場で発生する粉じんの危険有害度を調査してください。公的に承認された保護等級および地域の粉じんに関する規定を満たした工業用集じん機を使用してください。含鉛塗料、特定の種類の木材、コンクリート / 石材、石英を含む岩石、鉱物および金属などの母材から生じた粉じんは、健康を害する恐れがあります。
- ▶ 作業場の良好な換気に注意し、必要に応じてそれぞれの粉じんに適した防じんマスクを着用してください。作業者や近くにいる人が粉じんに触れたり吸い込んだりすると、アレルギー反応や呼吸器疾患を起こす可能性があります。カシヤブナ材などの特定の粉じんは、特に木材処理用の添加剤（クロム塩酸、木材保護剤）が使用されている場合、発ガン性があるとされています。アスベストが含まれる母材は、必ず専門家が取り扱うようにしてください。
- ▶ 休憩を取って、指を動かして血行を良くするように心がけてください。長時間作業の際には、振動により指、手あるいは手首の関節の血管あるいは神経系に障害が発生する可能性があります。

### 電気に関する安全注意事項

- ▶ 作業を開始する前に、作業領域に埋設された電線、ガス管や水道管がないかを調査してください。誤って電線を損傷すると、本体外側の金属部分により感電事故が発生する可能性があります。

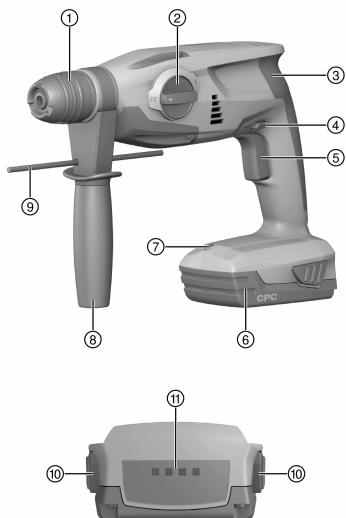
### 電動工具の慎重な取扱いおよび使用

- ▶ 先端工具がブロックしたら直ちに電動工具をオフにします。本体は側方へとずらすことができます。
- ▶ 電動工具は停止するまで置かないでください。



### 3 製品の説明

#### 3.1 製品概要 1



- ① チャックTE-C Click
- ② 機能切替スイッチ
- ③ グリップ
- ④ 正回転 / 逆回転切り替えスイッチ (スイッチオンロック付き)
- ⑤ 無段変速スイッチ
- ⑥ バッテリー
- ⑦ 作業用照明
- ⑧ サイドハンドル
- ⑨ デプスゲージ
- ⑩ 追加機能 (充電状態インジケータ作動) 付きリリースボタン
- ⑪ バッテリー充電状態インジケータ

#### 3.2 正しい使用

本書で説明している製品は、充電式ロータリーハンマードリルです。本製品は、鋼材と木材ならびに石材への穿孔 (回転のみ)、コンクリートおよび石材への打撃穿孔、ネジの取付け、取外し用の工具です。

- 本製品には、必ずHiltiのB 22シリーズのLi-Ionバッテリーを使用してください。
- これらのバッテリーには、必ずHiltiが承認した充電器を使用してください。詳細情報については、弊社営業担当またはHilti Storeにお問い合わせいただくか、あるいは[www.hilti.group](http://www.hilti.group)でご確認ください。

#### 3.3 Li-Ion バッテリーのインジケータ

Li-Ion バッテリーの使用時には、いずれかのリリースボタンを押すと充電状況を表示させることができます。

状態	意味
4 個の LED が点灯。	充電状態 : 75 %...100 %
3 個の LED が点灯。	充電状態 : 50 %...75 %
2 個の LED が点灯。	充電状態 : 25 %...50 %
1 個の LED が点灯。	充電状態 : 10 %...25 %
1 個の LED が点滅。	充電状態 : < 10 %

作業中および作業直後は、充電状態の読み取りは行えません。バッテリーの充電状態インジケータのLEDが点滅している場合は、「故障かな?」と思った時の章の注意事項を確認してください。

#### 3.4 本体標準セット構成品

ロータリーハンマードリル、サイドハンドル、デプスゲージ、取扱説明書。

粉じんの飛散を防止するために、アクセサリとしてTE DRS-S 集じんモジュールが提供されています。



その他のご使用の製品用に許可されたシステム製品については、弊社営業担当またはHilti Storeにお問い合わせいただくか、あるいはwww.hilti.groupでご確認ください。

## 4 製品仕様

### 4.1 ローターハンマードリル

	TE 2-A22
定格電圧	21.6 V
EPTA Procedure 01 に準拠した重量 (B22/8.0 バッテリーを含む)	3.3 kg
コンクリート / 石材への穿孔 (ハンマードリルビット)	4 mm ... 16 mm
金属への穿孔 (鉄工用ドリルビット)	0 mm ... 10 mm
デブスゲージの最大長さ	180 mm

### 4.2 騒音および振動値について

本説明書に記載されているサウンドプレッシャー値および振動値は、規格に準拠した測定方法に基づいて測定したものです。電動工具を比較するのにご使用いただけます。曝露値の暫定的な予測にも適しています。記載されているデータは、電動工具の主要な使用方法に対する値です。電動工具を他の用途で使用したり、異なる先端工具を取り付けて使用したり、手入れや保守が十分でないまま使用した場合には、データが異なることがあります。このような相違により、作業時間全体で曝露値が著しく高くなる可能性があります。曝露値を正確に予測するためには、本体のスイッチをオフにしている時間や、本体が作動していても実際には使用していない時間も考慮しなければなりません。このような相違により、作業時間全体で曝露値が著しく低くなる可能性があります。作業者を騒音および/または振動による影響から保護するために、他にも安全対策を立ててください。(例：電動工具およびの先端工具の手入れや保守、手を冷やさないようにする、作業手順の計画を立てる)。

#### 騒音排出値、EN 60745 準拠

サウンドパワーレベル ( $L_{WA}$ )	103 dB(A)
サウンドパワーレベルの不確実性 ( $K_{WA}$ )	3 dB(A)
排出サウンドプレッシャーレベル ( $L_{pA}$ )	92 dB(A)
サウンドプレッシャーレベルの不確実性 ( $K_{pA}$ )	3 dB(A)

#### 合計振動値 (3方向のベクトル合計)、EN 60745 準拠

コンクリートへの打撃穿孔 ( $a_{n, HD}$ )	15 m/s <sup>2</sup>
金属への穿孔 ( $a_{n, D}$ )	2.5 m/s <sup>2</sup>
不確実性 (K)	1.5 m/s <sup>2</sup>

### 4.3 バッテリー

バッテリー作動電圧	21.6 V
作動時の周囲温度	-17 °C ... 60 °C
保管温度	-20 °C ... 40 °C
充電開始時のバッテリー温度	-10 °C ... 45 °C

## 5 ご使用方法

### 5.1 作業準備

#### 注意

負傷の危険 意図しない始動！

- ▶ バッテリーを装着する前に、バッテリーを装着する製品のスイッチがオフになっていることを確認してください。
- ▶ 本体の設定、またはアクセサリーの交換の前にバッテリーを取り外してください。

本書および製品に記載されている安全上の注意と警告表示に注意してください。



### 5.1.1 サイドハンドルを取り付ける ④

1. グリップを回してサイドハンドルのクランピングバンドを緩めます。
2. クランピングバンドを前方から取付け用溝のところまでスライドさせてチャックへと取り付けます。
3. サイドハンドルをご希望の位置にします。
4. グリップを回してサイドハンドルのクランピングバンドを張ります。

### 5.1.2 バッテリーを装着する ②

1. ロックの音が聞こえるまでバッテリーを本体ホルダーに装着します。
2. バッテリーがしっかりと装着されていることを確認してください。

### 5.1.3 バッテリーを取り外す ③

1. バッテリーのロック解除ボタンを押します。
2. バッテリーを後方へ引き抜きます。

### 5.1.4 先端工具を装着する ⑤

1. 先端工具のコネクションエンドにグリスを軽く塗布します。
  - ▶ 必ず Hilti の純正グリスを使用してください。不適切なグリスを使用すると本体損傷の原因となる場合があります。
2. 先端工具をチャックのストップ位置まで差し込み、ロックさせます。
3. 装着後に先端工具を引っ張り、ロックされているか確認します。
  - ▶ 製品は作動可能状態です。

### 5.1.5 先端工具を取り外す ⑥



#### 警告

負傷の危険 使用中に先端工具が高温になる場合があります。

- ▶ 先端工具の交換時には保護手袋を着用してください。
- ▶ チャックロックスリーブをストップ位置まで引き戻し、先端工具を取り外します。

### 5.1.6 デブスゲージを取り付ける (オプション) ⑦

1. グリップを回してサイドハンドルのクランピングバンドを緩めます。
2. デブスゲージを前方から取付け用の 2 個のガイド穴に通します。
3. グリップを回してサイドハンドルのクランピングバンドを張ります。

## 5.2 作業



#### 注意

損傷の危険 不正な取扱い！

- ▶ 作動中は、回転方向および / または機能選択用スイッチを操作しないでください。

本書および製品に記載されている安全上の注意と警告表示に注意してください。

### 5.2.1 作業用照明




コントロールスイッチを操作すると、LED は自動的に有効になります。コントロールスイッチから手を放すと、LED はゆっくりと消灯します。

- ▶ コントロールスイッチを押します。


### 5.2.2 回転方向

- ▶ 回転方向を設定します。
  - ▶ スwitchはこの位置でロックされます。

### 5.2.3 回転のみ ③

- ▶ 機能切り替えスイッチを  の位置にします。

### 5.2.4 回転 + 打撃 ④

- ▶ 機能切り替えスイッチを  の位置にします。



## 6 手入れと保守

### 6.1 手入れと保守



#### 警告

バッテリーを装着した状態における負傷の危険！

▶ 手入れや保守作業の前に必ずバッテリーを取り外してください！

#### 本体の手入れ

- 強固に付着した汚れは慎重に除去してください。
- 通気溝を乾いたブラシで入念に清掃してください。
- ハウジングは必ず軽く湿らせた布で清掃してください。シリコンを含んだ清掃用具はプラスチック部品をいためる可能性があるため使用しないでください。

#### Li-Ion バッテリーの手入れ

- バッテリーは清潔に保ち、オイルやグリスで汚さないようにしてください。
- ハウジングは必ず軽く湿らせた布で清掃してください。シリコンを含んだ清掃用具はプラスチック部品をいためる可能性があるため使用しないでください。
- 湿気が入り込まないようにしてください。

#### 保守

- 目視確認可能なすべての部品について損傷の有無を、操作エレメントについては問題なく機能することを定期的に点検してください。
- 損傷および/または機能に問題のある場合は、本製品を使用しないでください。直ちにHilti サービスセンターに修理を依頼してください。
- 手入れおよび保守作業の後は、すべての安全機構を取り付けて機能を点検してください。



安全な作動のために、必ず純正のスペアパーツと消耗品を使用してください。本製品向けに弊社が承認したスペアパーツ、消耗品およびアクセサリは、弊社営業担当またはHilti Storeにお問い合わせいただくか、あるいは[www.hilti.group](http://www.hilti.group)でご確認ください。

### 6.2 防じんカバーの清掃

- ▶ チャックの防じんカバーは、清潔な乾いた布で定期的に清掃してください。
- ▶ シーリングリップをていねいに拭き、Hilti グリスを薄く塗布します。
- ▶ シーリングリップに損傷がある場合は、防じんカバーを必ず交換してください。

## 7 搬送および保管

### 7.1 バッテリー装置の搬送および保管

#### 搬送



#### 注意

搬送時の予期しない始動！

- ▶ お使いの製品は、必ずバッテリーを装着していない状態で搬送してください！
- ▶ バッテリーを取り外します。
- ▶ バッテリーは決して梱包しない状態で搬送しないでください。
- ▶ 本体とバッテリーを長距離にわたって搬送した後は、使用前に損傷がないかチェックしてください。

#### 保管上の注意事項



#### 注意

故障したあるいは液漏れしたバッテリーによる予期しない損傷！

- ▶ お使いの製品は、必ずバッテリーを装着していない状態で保管してください！
- ▶ 本体とバッテリーは、できるだけ涼しくて乾燥した場所に保管してください。
- ▶ バッテリーを太陽の直射下、ラジエーターの上、窓際等で保管しないでください。
- ▶ 本体とバッテリーは、子供や権限のない人が手を触れることのないようにして保管してください。
- ▶ 本体とバッテリーを長期間にわたって保管した後は、使用前に損傷がないかチェックしてください。



## 8 故障かな？と思った時

### 8.1 故障時のヒント

この表に記載されていない、あるいはご自身で解消することのできない故障が発生した場合には、弊社営業担当またはHilti サービスセンターにご連絡ください。

### 8.2 ローターハンマードリルは作動不能状態

故障	考えられる原因	解決策
ロータリーハンマードリルが始動しない。	ロータリーハンマードリルの過負荷。	▶ ロータリーハンマードリルをオフにし、バッテリーを取り外してロータリーハンマードリルを使用しない。
LED 表示がない。	バッテリーが完全に装着されていない。	▶ バッテリーを「カチッカチツ」と音がするまでロックする。
	バッテリーが放電している。	▶ バッテリーを交換し、空のバッテリーを充電する。
	バッテリーの温度が高すぎる、または低すぎる。	▶ バッテリーを推奨運転温度まで冷やす / 暖める。
1 個の LED が点滅。	バッテリーが放電している。	▶ バッテリーを交換し、空のバッテリーを充電する。
	バッテリーの温度が高すぎる、または低すぎる。	▶ バッテリーを推奨運転温度まで冷やす / 暖める。
4 個の LED が点滅。	ロータリーハンマードリルの短時間の過負荷。	▶ コントロールスイッチから指を放し、改めてコントロールスイッチを操作する。
	過熱保護が作動した。	▶ ロータリーハンマードリルを冷まし、通気溝を清掃する。

### 8.3 ロータリーハンマードリルは作動可能状態

故障	考えられる原因	解決策
打撃がない。	ロータリーハンマードリルの温度が低すぎる。	▶ ロータリーハンマードリルを母材に接触させて、アイドリング回転させる。打撃機構が始動するまでこれを繰り返す。
	機能切替スイッチが「回転のみ」 に設定されている。	▶ 機能切替スイッチを「回転 + 打撃」 にする。
コントロールスイッチが押せない、あるいは動かない。	正回転 / 逆回転切り替えスイッチが中立位置。	▶ 正回転 / 逆回転切り替えスイッチを右または左へ押す。
本体スピンドルが回転しない。	ロータリーハンマードリル本体の電子回路の作動温度が許容範囲を越えている。	▶ ロータリーハンマードリルを冷ます。
	バッテリーが放電している。	▶ バッテリーを交換し、空のバッテリーを充電する。
ロータリーハンマードリルが自動的にオフになる。	過負荷保護機構（スピードレギュレーター）が作動している。	▶ コントロールスイッチから指を放す。ロータリーハンマードリルを冷ます。コントロールスイッチを改めて操作する。負荷を低減する。
バッテリーの消耗が通常よりも早い。	バッテリーの状態が好ましくない。	▶ バッテリーを交換する。
バッテリーが「カチッカチツ」と音がするまでロックされない。	バッテリーのロックノッチが汚れている。	▶ ロックノッチを清掃してバッテリーを改めてロックする。





故障	考えられる原因	解決策
ロータリーハンマードリルあるいはバッテリーが熱くなる。	電氣的故障	▶ ロータリーハンマードリルを直ちにオフにする。バッテリーを取り外して点検する。バッテリーを冷ます。Hilti サービスセンターに連絡する。
	ロータリーハンマードリルの過負荷（適用基準を超えている）	▶ 用途に適した本体を選択する。
先端工具をロックから取り出せない。	チャックが完全に開いていない。	▶ チャックロックスリーブをストップ位置まで引き戻し、先端工具を取り外す。
先端工具が切削しない。	ロータリーハンマードリルが逆回転になっている。	▶ 正回転 / 逆回転切り替えスイッチを正回転にする。

## 9 廃棄

Hilti 製品の大部分の部品はリサイクル可能です。リサイクル前にそれぞれの部品は分別して回収されなければなりません。多くの国で Hilti は、古い電動工具をリサイクルのために回収しています。詳細については弊社営業担当または Hilti 代理店・販売店にお尋ねください。



- ▶ 電動工具、電子機器およびバッテリーを一般ゴミとして廃棄してはなりません！

## 10 メーカー保証

- ▶ 保証条件に関するご質問は、最寄りの Hilti 代理店・販売店までお問い合わせください。

# 오리지널 사용설명서

## 1 문서 관련 기재사항

### 1.1 본 문서에 대해

- 처음 사용하기 전에 본 문서 전체를 읽으십시오. 안전하게 작업하고 문제 없이 취급하기 위한 전제가 됩니다.
- 본 문서 및 제품에 나와 있는 안전 지침 및 경고 지침에 유의하십시오.
- 항상 제품에 있는 사용 설명서를 잘 보관하고 제품은 반드시 본 지침과 함께 다른 사람에게 전달하십시오.

### 1.2 기호 설명

#### 1.2.1 경고사항

본 제품을 다루면서 발생할 수 있는 위험에 대한 경고사항. 다음과 같은 시그널 워드가 사용됩니다.

#### 위험

위험!

- ▶ 이 기호는 직접적인 위험을 표시합니다. 만약 지키지 않으면 심각한 부상을 당하거나 사망할 수도 있습니다.

#### 경고

경고!

- ▶ 이 기호는 잠재적인 위험을 표시합니다. 만약 지키지 않으면 심각한 부상을 당하거나 사망할 수도 있습니다.



**⚠ 주의**

주의!

- ▶ 이 기호는 특별히 중요한 안전상의 주의사항을 표시합니다. 만약 지키지 않으면, 심각한 부상 또는 물적 손실을 입을 수 있습니다.

**1.2.2 문서에 사용된 기호**

본 문서에서 사용되는 기호는 다음과 같습니다.

	사용하기 전에 사용설명서를 읽으십시오.
	적용 지침 및 기타 유용한 사용정보
	재사용이 가능한 자재 취급방법
	전기 기기 및 배터리를 일반 가정의 쓰레기처럼 폐기해서는 안 됨

**1.2.3 그림에 사용된 기호**

다음과 같은 기호가 그림에 사용됩니다.

	이 숫자는 본 설명서의 첫 부분에 있는 해당 그림을 나타냅니다.
	매겨진 숫자는 작업 단계의 순서를 나타내며, 텍스트에 매겨진 작업 단계와 차이가 있을 수 있습니다.
	항목 번호는 개요 그림에서 사용되며, 제품 개요 단락에 나와 있는 기호 설명 번호를 나타냅니다.
	이 표시는 제품을 다룰 때, 특별히 주의할 사항을 나타냅니다.

**1.3 제품 관련 기호**

**1.3.1 제품에 사용된 기호**

제품에 사용되는 기호는 다음과 같습니다.

	함마링 컷아웃
	타격하여 드릴링(함마드릴링)
	정회전/역회전
$n_0$	무부하 회전속도
/min	분당 회전수
	직류
Li-Ion	리튬이온 배터리
	사용한 Hilti 리튬이온 배터리 모델 시리즈. 규정에 맞는 사용 단원에 제시된 내용에 유의하십시오.
	배터리는 절대 타격 공구로 사용해서는 안 됩니다.
	배터리를 떨어뜨리지 마십시오. 타격을 받은 적이 있거나 다른 손상이 있는 배터리는 사용하지 마십시오.
	본 기기는 iOS 및 Android 플랫폼과 호환 가능한 NFC 기술을 지원합니다.



## 1.4 제품 정보

**HILTI** 제품은 전문가용으로 설계되어 있으며, 해당 교육을 이수한 공인된 작업자를 통해서만 조작, 유지 보수 및 수리 작업을 진행할 수 있습니다. 이 기술자는 발생할 수 있는 위험에 대해 특별 교육을 받은 상태여야 합니다. 교육을 받지 않은 사람이 제품을 부적절하게 취급하거나 규정에 맞지 않게 사용할 경우에는 기기와 그 보조기구에 의해 부상을 당할 위험이 있습니다.

형식 명칭 및 일련 번호는 형식 라벨에 제시되어 있습니다.

- ▶ 일련 번호를 다음의 표에 옮기십시오. 대리점 또는 서비스 센터에 문의할 경우 제품 제원이 필요합니다.

제품 제원

모델:	TE 2-A22
세대:	02
일련번호:	

## 1.5 적합성 선언

페사는 전적으로 책임을 지고 여기에 기술된 제품이 통용되는 기준과 규격에 일치함을 공표합니다. 적합성 증명서 사본은 본 문서 끝 부분에서 확인할 수 있습니다.

기술 문서는 이곳에 기술되어 있습니다.

Hilti Entwicklungsgesellschaft mbH | Zulassung Geräte | Hiltistraße 6 | 86916 Kaufering, DE

## 2 안전

### 2.1 전동 공구에 대한 일반적인 안전상의 주의사항

**⚠ 경고! 모든 안전상의 주의사항과 지침을 읽으십시오. 안전상의 주의사항과 지침을 준수하지 않을 경우, 화재 위험이 있으며 감전 그리고/또는 중상을 입을 수 있습니다.**

앞으로 모든 안전상 주의사항과 지침을 보관하십시오.

작업장 안전수칙

- ▶ 작업장을 항상 깨끗이 하고 조명이 잘 들도록 하십시오. 어수선한 작업환경 또는 어두운 작업장은 사고를 초래할 수 있습니다.
- ▶ 인화성 액체, 가스 또는 먼지가 있어 폭발 위험이 있는 환경에서는 전동 공구를 사용하지 마십시오. 전동 공구는 먼지나 증기를 점화시킬 수 있는 스파크를 일으킵니다.
- ▶ 전동 공구를 사용할 때, 어린이들이나 다른 사람들이 작업장에 접근하지 못하도록 하십시오. 다른 사람의 방해로 인해 기기를 통제하기 어렵습니다.

전기에 관한 안전수칙

- ▶ 파이프, 히터, 전기레인지, 냉장고와 같은 접지 표면에 신체 접촉을 피하십시오.. 신체에 닿을 경우 감전될 위험이 높습니다.
- ▶ 전동 공구가 비에 맞지 않도록 하고 습한 장소에 두지 마십시오. 전동 공구에 물이 들어가면 감전될 위험이 높습니다.

사용자 안전수칙

- ▶ 신중하게 작업하십시오. 작업에 정신을 집중하고 전동공구를 사용할 때 경솔하게 행동하지 마십시오. 피곤하거나 항정신성 약물, 술 또는 약물 복용 시에는 전동공구를 사용하지 마십시오. 전동공구 사용 시 이에 유의하지 않을 경우 심각한 부상을 초래할 수 있습니다.
- ▶ 안전 장비를 갖추고 보안경을 착용하십시오. 전동 공구의 종류와 사용에 따라, 먼지 보호 마스크, 미끄럼 방지용 안전 신발, 안전모 또는 귀마개 등과 같은 안전한 보호장비를 착용하면 부상의 위험을 줄일 수 있습니다.
- ▶ 실수로 기기가 작동하지 않도록 주의하십시오. 전동공구를 배터리에 연결하거나 설치 또는 운반하는 경우, 전동공구의 전원이 꺼져 있는지 확인하십시오. 전동공구 운반 시 스위치에 손가락을 대거나 스위치가 켜진 상태에서 전원을 연결하면 사고를 유발할 수 있습니다.
- ▶ 전동 공구의 스위치를 켜기 전, 조정공구 또는 렌치를 제거하십시오. 기기 회전부에 남아있는 공구나 렌치로 인해 부상을 입을 수 있습니다.
- ▶ 작업 시 비정상적인 자세는 피하십시오. 안전한 작업자세가 되도록 하고, 항상 균형을 유지하십시오. 이렇게 하여 예기치 않은 상황에서도 전동 공구를 잘 제어할 수 있습니다.
- ▶ 적합한 작업복을 착용하십시오. 헐렁한 복장이나 장식품을 착용하지 마십시오. 작동하는 기기 가동 부위에 머리, 옷 그리고 장갑이 가까이 닿지 않도록 주의하십시오. 헐렁한 복장, 장식품 혹은 긴 머리가 가동 부위에 말려 들어갈 수 있습니다.
- ▶ 먼지 제거장치나 수거장치를 설치할 수 있는 기기의 경우, 이 장치들이 연결되어 있는지 그리고 제대로 작동되는지를 확인하십시오. 먼지 포집장치 사용은 먼지로 인한 위험을 줄여줄 수 있습니다.



## 전동 공구의 취급과 사용

- ▶ 기기에 과부하가 걸리지 않도록 하십시오. 귀하의 작업에 적합한 전동 공구를 사용하십시오. 적합한 전동 공구를 사용하면, 지정된 성능 한도 내에서 더 효율적으로 안전하게 작업할 수 있습니다.
- ▶ 스위치가 고장난 전동 공구는 사용하지 마십시오. 스위치가 작동되지 않는 전동 공구는 위험하므로, 반드시 수리를 해야 합니다.
- ▶ 기기를 설정하거나 부품을 교환하거나 기기를 치우기 전에 배터리를 제거하십시오. 이러한 조치는 실수로 전동공구가 작동하지 않도록 방지합니다.
- ▶ 사용하지 않는 전동공구는 어린이들의 손이 닿지 않는 곳에 보관하십시오. 기기 사용에 익숙치 않거나 또는 이 안전수칙을 읽지 않은 사람이 기기를 사용해서는 안됩니다. 비숙련자가 전동공구를 사용하면 위험합니다.
- ▶ 전동공구를 조심스럽게 관리하십시오. 기기의 가동 부위가 완벽하게 작동하는지, 끼어 있지 않은지, 혹은 부품이 손상되거나 파손되어 있어 전동공구의 기능을 저하시키지 않는지 점검하십시오. 기기 사용 전 손상된 부품을 수리하도록 하십시오. 제대로 관리되지 않은 전동공구는 많은 사고를 유발합니다.
- ▶ 절단기기는 날카롭고 깨끗하게 관리하십시오. 날카로운 절단면이 있고 잘 관리된 절단기기는 끼이는 경우가 드물고 조절하기도 쉽습니다.
- ▶ 본 지침에 따라 전동 공구, 액세서리, 공구 비트 등을 사용하십시오. 이 때 작업 조건과 실시하려는 작업 내용을 고려하십시오. 원래 사용 분야가 아닌 다른 작업에 전동 공구를 사용할 경우, 위험한 상황을 초래할 수 있습니다.

## 배터리 공구의 취급과 사용

- ▶ 제조회사가 권장한 충전기에만 배터리를 충전시키십시오. 특정한 형식의 배터리를 사용하도록 규정되어 있는 충전기에 다른 배터리를 사용할 경우 화재 발생의 위험이 있습니다.
- ▶ 전동 공구에 적합하게 규정된 배터리만 사용하십시오. 다른 배터리를 사용하면 부상을 입을 수 있고, 화재가 발생할 수 있습니다.
- ▶ 배터리를 사용하지 않을 경우 클립, 동전, 키, 못, 나사 또는 다른 소형 금속 물질로부터 사용하지 않는 배터리를 멀리 떨어뜨려 놓아주십시오. 배터리 간 단락으로 인한 연소 또는 화재를 초래할 수 있습니다.
- ▶ 잘못 사용할 경우, 배터리로부터 전해액이 흘러나올 수 있습니다. 전해액을 직접 만지지 마십시오. 배터리로부터 흘러나온 전해액은 피부를 손상시킬 수 있으며, 화재를 발생시킬 수 있습니다. 의도치 않게 닿은 경우 물로 씻어내십시오. 이 용액이 눈에 들어간 경우, 의사의 도움을 받아 추가적 조치를 취하십시오.

## 서비스

- ▶ 전동 공구는 반드시 자격을 갖춘 전문가에 의해 그리고 순정 대체부품만 이용하여 수리해야 합니다. 이렇게 하여 전동 공구의 안전성을 계속해서 유지할 수 있습니다.

## 2.2 그의 로터리 합마 드릴에 관한 안전상의 주의사항

### 사용자 안전수칙

- ▶ 기술적 하자가 없는 상태에서만 제품을 사용하십시오.
- ▶ 어떠한 경우에도 기기를 무단 변경 또는 개조하지 마십시오.
- ▶ 기기와 함께 공급된 보조 손잡이를 사용하십시오. 기기를 제어하지 못하면 부상을 입을 수 있습니다.
- ▶ 천공 작업 시, 작업할 부분의 반대편이 안전하게 조치를 취하십시오. 발생하는 분쇄물이 빠져 나오거나 또는 떨어지면서 다른 사람이 부상을 입을 수 있습니다.
- ▶ 항상 양 손으로 기기의 손잡이를 잡고 공구를 고정시키십시오. 손잡이는 건조하고 깨끗하게 유지하십시오.
- ▶ 숨겨진 전선에 공구 비트가 접촉할 수 있는 작업을 실행할 경우, 항상 기기의 절연된 손잡이 부분을 잡으십시오. 전류가 흐르는 전선과 접촉하면 전동공구의 금속 부위를 통해 감전이 될 수도 있습니다.
- ▶ 회전하는 부품에 접촉하지 않도록 하십시오. - 부상 위험!
- ▶ 기기를 사용하는 동안 적절한 보안경, 안전모, 귀마개, 보호장갑, 안전화 및 보호 마스크를 착용해야 합니다.
- ▶ 공구 교체 시에도 보호장갑을 착용하십시오. 공구 비트에 닿으면 부상을 입거나 화상을 당할 수 있습니다.
- ▶ 보안경을 착용하십시오. 재료의 파편으로 인해 눈 등 신체에 부상을 입을 수 있습니다.
- ▶ 작업을 시작하기 전, 작업 시 발생하는 먼지의 위험 등급을 알아보십시오. 해당 국가의 먼지 방지 규정에 적합하며, 공식적으로 허용된 보호 등급의 산업용 진공 청소기만을 사용하십시오. 낱이 함유된 도료, 일부 목재, 콘크리트/조적벽돌/수정을 함유한 암석 및 금속과 같은 광물질로부터 나오는 먼지는 건강에 해로울 수 있습니다.
- ▶ 작업장을 잘 환기시키고 먼지의 종류에 따라 필요 시 보호마스크를 착용하십시오. 먼지를 흡입하거나 만질 경우, 사용자 또는 근처에 있는 사람에게 기관지 질병이나 알레르기 반응이 나타날 수 있습니다. 딱딱나 무 입자 또는 너도밤나무 입자와 같은 특정 종류의 먼지는, 특히 목재 처리용으로 사용하는 첨가제(크롬산염, 목재 부식 방지제)와 결합하여 알을 일으킬 수 있습니다. 석면 물질은 전문기술자만 다룰 수 있습니다.
- ▶ 손가락의 혈액순환이 잘 되도록 하기 위해 휴식시간 동안 손가락 운동을 하십시오. 장시간 작업하면 진동으로 인해 혈관 장애 또는 손가락, 손 및 손목의 신경 체계에 이상이 있을 수 있습니다.



### 전기에 관한 안전수칙

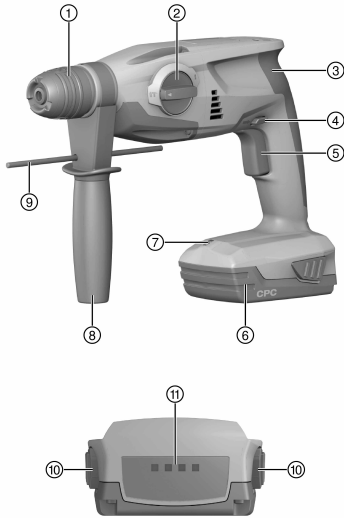
- ▶ 작업을 시작하기 전에, 작업장에서 가려져 있거나 덮혀 있는 전기 배선, 가스 파이프 그리고 하수도관이 있는지를 점검하십시오. 실수로 전기 케이블을 손상시킨 경우, 기기 바깥쪽에 있는 금속 부품에서 전기 쇼크를 일으킬 수 있습니다.

### 전동 공구의 올바른 사용방법과 취급방법

- ▶ 전동공구가 블로킹된 경우 즉시 전동공구의 스위치를 끄십시오. 기기가 옆으로 기울어질 수 있습니다.
- ▶ 전동공구를 내려놓기 전에 전동공구가 완전히 정지할 때까지 기다리십시오.

## 3 제품 설명

### 3.1 제품 개요



- ① 척 아답타TE-C Click
- ② 기능 선택 스위치
- ③ 손잡이
- ④ 정회전/역회전 스위치 (스위치ON 로크 포함)
- ⑤ 컨트롤 스위치
- ⑥ 배터리
- ⑦ 작업 공간 조명
- ⑧ 측면 손잡이
- ⑨ 깊이 게이지
- ⑩ 충전 상태 표시 활성화 추가 기능을 갖춘 잠금 해제 버튼
- ⑪ 배터리 충전상태 디스플레이

### 3.2 규정에 적합한 사용

기술된 제품은 배터리로 작동되는 로터리 함마 드릴입니다. 본 제품은 콘크리트 및 조적벽돌에서의 함마드릴링, 강재, 목재 및 조적벽돌에서의 드릴링, 볼트를 풀고 조이는 작업에 적합합니다.

- 본 제품에는 모델시리즈 B 22의 Hilti 리튬이온 배터리만 사용하십시오.
- 해당 배터리에는 Hilti에서 승인한 충전기만 사용하십시오. 보다 자세한 정보는 Hilti Store 또는 [www.hilti.group](http://www.hilti.group)에서 확인할 수 있습니다.

### 3.3 리튬 이온 배터리 표시

리튬 이온 배터리 사용 시 충전 상태는 잠금해제 버튼을 눌러 표시할 수 있습니다.

상태	의미
4개 LED가 점등됨.	충전 상태: 75 % ~ 100 %
3개 LED가 점등됨.	충전 상태: 50 % ~ 75 %
2개 LED가 점등됨.	충전 상태: 25 % ~ 50 %
1개 LED 점등됨.	충전 상태: 10 % ~ 25 %
1개 LED 깜박임.	충전 상태: < 10 %



작업을 하는 동안 그리고 작업을 끝낸 바로 직후에는 충전상태를 확인하는 것이 불가능합니다. 배터리 충전상태 표시 LED가 점멸할 경우, "고장진단" 장의 지침에 유의하십시오.

### 3.4 공급품목

로터리 함마 드릴, 사이드 핸들, 깊이 게이지, 사용설명서.

작업할 때 분진이 발생하지 않도록 먼지제거기 TE DRS-S01 액세서리로 제공됩니다.

해당 제품에 허용되는 기타 시스템 제품은 **Hilti Store** 또는 다음 사이트에서 확인할 수 있습니다.  
[www.hilti.group](http://www.hilti.group)

## 4 기술 제원

### 4.1 로터리 함마 드릴

	TE 2-A22
정격 전압	21.6V
EPTA Procedure 01에 따른 무게(B228.0 배터리 포함)	3.3kg
콘크리트/벽돌 드릴링 범위(함마 드릴링)	4mm ... 16mm
금속 천공 직경 (드릴)	0mm ... 10mm
깊이 게이지 최대 길이	180mm

### 4.2 소음 정보 및 진동 값

이 지침에 제시된 음압 및 진동수준은 표준화된 측정방법에 따라 측정된 것이며, 전동 공구를 서로 비교하기 위한 용도로 사용할 수 있습니다. 음압 및 진동 수준은 노출 정도를 사전에 예측하는 데에도 유용하게 사용할 수 있도록 설계되어 있습니다. 제시된 데이터는 전동 공구의 주된 용도를 나타냅니다. 그러나 전동 공구를 다른 용도로 사용하거나 다른 공구 비트를 사용할 경우 또는 유지보수를 충분히 하지 않은 상태에서는 데이터에 편차가 있을 수 있습니다. 이러한 경우 전 작업시간에 걸쳐 노출이 현저하게 증가할 수 있습니다. 노출을 정확하게 평가하기 위해서는 기기 작동이 멈춰 있거나 또는 작동 중이지만 실제로는 사용하지 않는 시간도 고려해야 합니다. 이러한 경우 전 작업시간에 걸쳐 노출이 현저하게 감소할 수 있습니다. 사용자를 보호하기 위해 음파 그리고/또는 진동이 작용하기 전에 다음과 같은 추가적인 안전 조치를 취하십시오. 전동 공구와 공구 비트의 유지보수, 손을 따뜻하게 유지, 작업순서 정하기 등.

소음 배출값은 EN 60745에 따라 확인

소음 수준 ( $L_{WA}$ )	103dB(A)
소음 출력 수준 허용공차 ( $K_{WA}$ )	3dB(A)
음압 수준 ( $L_{pA}$ )	92dB(A)
소음 수준 허용공차 ( $K_{pA}$ )	3dB(A)

EN 60745에 따라 측정된 진동 총 값(3 방향 벡터 합)

콘크리트에 함마 드릴링 ( $a_{h, HD}$ )	15m/s <sup>2</sup>
금속에 드릴링 ( $a_{h, D}$ )	2.5m/s <sup>2</sup>
허용공차 (K)	1.5m/s <sup>2</sup>

### 4.3 배터리

배터리 모드 전압	21.6V
작동 시 주변 온도	-17 °C ... 60 °C
보관 온도	-20 °C ... 40 °C
충전 시작 시 배터리 온도	-10 °C ... 45 °C



## 5 조작

### 5.1 작업 준비

#### 주의

돌발적인 작동으로 인한 부상 위험!

- ▶ 배터리를 끼우기 전에 해당 제품의 전원이 꺼져 있는지 확인하십시오.
- ▶ 기기 설정 또는 액세서리를 교체하기 전에 배터리를 제거하십시오.

본 문서 및 제품에 나와 있는 안전 지침 및 경고 지침에 유의하십시오.

#### 5.1.1 측면 손잡이 장착

1. 손잡이를 돌려서 측면 손잡이 홀더(조임 밴드)를 푸십시오.
2. 홀더(조임 밴드)를 앞쪽에서부터 척 아답타 위로 지정된 홈까지 미십시오.
3. 측면 손잡이를 원하는 위치로 설정하십시오.
4. 손잡이를 돌려서 측면 손잡이 홀더(조임 밴드)를 조이십시오.

#### 5.1.2 배터리 삽입

1. 잠기는 소리가 들릴 때까지 배터리를 기기 홀더 안에 끼우십시오.
2. 배터리가 정확하게 설치되어 있는지 점검하십시오.

#### 5.1.3 배터리 제거

1. 배터리의 잠금 해제 버튼을 누르십시오.
2. 배터리를 뒤쪽으로 당겨서 빼십시오.

#### 5.1.4 공구 비트 끼우기

1. 드릴 생크식 기기 비트를 가볍게 기름칠하십시오
  - ▶ Hilti의 순정 그리스만 사용하십시오. 적합하지 않은 그리스를 사용하면 제품이 손상될 수 있습니다.
2. 공구 비트를 스톱위치까지 척 아답타에 끼우고 장착하십시오.
3. 삽입 후 잡아 당겨보면서 제대로 고정되었는지 점검하십시오.
  - ▶ 제품이 작동 가능한 상태입니다.

#### 5.1.5 공구 비트 분리

#### 경고

부상위험 사용하면서 공구가 뜨거워질 수 있습니다.

- ▶ 공구 교체 시 보호장갑을 착용하십시오.
- ▶ 공구 잠금장치를 스톱 위치까지 뒤로 당겨 기기 비트를 빼내십시오.

#### 5.1.6 깊이 게이지 장착(선택사양)

1. 손잡이를 돌려서 측면 손잡이 홀더(조임 밴드)를 푸십시오.
2. 깊이 게이지를 앞쪽에서부터 지정된 2개의 가이드 홈 안쪽으로 미십시오.
3. 손잡이를 돌려서 측면 손잡이 홀더(조임 밴드)를 조이십시오.

### 5.2 작업

#### 주의

취급 오류로 인한 손상 위험!

- ▶ 작동 중에는 회전방향 선택 그리고/또는 기능 선택 스위치를 작동하지 마십시오.

본 문서 및 제품에 나와 있는 안전 지침 및 경고 지침에 유의하십시오.

#### 5.2.1 작업장 조명



컨트롤 스위치를 조작하면 LED가 자동으로 활성화됩니다. 컨트롤 스위치에서 손을 떼면 LED가 천천히 소등됩니다.

- ▶ 컨트롤 스위치를 누르십시오.



### 5.2.2 회전 방향

- ▶ 회전 방향을 설정하십시오.
  - ▶ 이 위치에서 스위치가 맞물려 끼워집니다.

### 5.2.3 할마링 컷아웃

- ▶ 기능 선택 스위치를 기호에 두십시오.

### 5.2.4 타격하여 드릴링

- ▶ 기능 선택 스위치를 기호에 두십시오.

## 6 유지 관리

### 6.1 관리 및 유지보수



#### 경고

배터리가 끼워진 상태에서 부상 위험!

- ▶ 관리 및 수리 작업을 진행하기 전에 항상 배터리를 제거하십시오!

#### 기기 관리

- 공구에 부착된 오염물질을 조심스럽게 제거하십시오.
- 마른 솔로 환기 홀을 조심스럽게 청소하십시오.
- 하우징은 약간 물을 적신 천으로만 닦으십시오. 플라스틱 부품을 손상시킬 수 있으므로 절대로 실리콘이 함유된 보호제를 사용하지 마십시오.

#### 리튬 이온 배터리 관리

- 배터리를 오일 및 그리스가 묻지 않도록 깨끗하게 유지하십시오.
- 하우징은 약간 물을 적신 천으로만 닦으십시오. 플라스틱 부품을 손상시킬 수 있으므로 절대로 실리콘이 함유된 보호제를 사용하지 마십시오.
- 습기가 스며들지 않도록 주의하십시오.

#### 유지보수

- 눈에 보이는 모든 부품은 정기적으로 손상 여부를 점검하고 조작 요소가 아무 문제 없이 작동하는지 점검하십시오.
- 손상되었거나 기능 장애가 있는 경우에는 제품을 작동하지 마십시오. 바로 Hilti 서비스 센터에서 수리받으십시오.
- 관리 및 수리 작업 후 모든 보호장치를 가져와 기능을 점검하십시오.



안전하게 작동하기 위해서는 순정품 예비 부품 및 소모품만 사용하십시오. 해당 제품에 허용되는 예비 부품, 소모품 및 액세서리는 Hilti Store 또는 [www.hilti.group](http://www.hilti.group) 에서 확인할 수 있습니다.

### 6.2 더스트 캡 청소

- ▶ 깨끗한 마른 걸레를 이용하여, 척 아답타의 더스트 캡을 정기적으로 청소하십시오.
- ▶ 씰링 립을 조심스럽게 깨끗하게 닦아낸 다음, Hilti 그리스를 다시 약간 바르십시오.
- ▶ 씰링 립이 손상되었을 경우, 반드시 더스트 캡을 교환하십시오.

## 7 운반 및 보관

### 7.1 배터리 기기 운반 및 보관

#### 운반



#### 주의

운반 시 돌발적으로 작동됨!

- ▶ 제품은 항상 배터리를 장착하지 않은 상태로 운반하십시오!
- ▶ 배터리를 분리하십시오.
- ▶ 배터리를 포장하지 않은 채로 운반해서는 절대 안 됩니다.
- ▶ 기기 및 배터리를 장시간 운반한 후에는 사용하기 전에 손상 여부를 점검하십시오.





보관

**⚠ 주의**

배터리 결합 또는 방전으로 인한 돌발적인 손상 !

- ▶ 제품은 항상 배터리를 장착하지 않은 상태로 보관하십시오!
- ▶ 기기 및 배터리는 최대한 시원하고 건조한 곳에서 보관하십시오.
- ▶ 배터리는 절대 직사광선이 들어오는 곳, 히터 위 또는 유리 뒤쪽에 보관하지 마십시오.
- ▶ 기기와 배터리는 어린이 및 허용되지 않는 사람의 손에 닿지 않도록 하십시오.
- ▶ 기기 및 배터리를 장시간 보관한 후에는 사용하기 전에 손상 여부를 점검하십시오.

**8 고장진단**

**8.1 문제 발생 시 도움말**

본 도표에 제시되어 있지 않거나 스스로 해결할 수 없는 문제가 발생한 경우 Hilti 서비스 센터에 문의해 주십시오.

**8.2 로타리 함마 드릴이 작동되지 않습니다.**

장애	예상되는 원인	해결책
로타리 함마 드릴이 작동되지 않습니다.	로타리 함마 드릴 과부하.	▶ 로타리 함마 드릴의 전원을 끄고, 배터리를 제거한 후 더 이상 로타리 함마 드릴을 사용하지 마십시오.
LED가 아무것도 나타내지 않습니다.	배터리가 완전하게 삽입되지 않음.	▶ 이종으로 찰카하는 소리가 들릴 때까지 배터리를 맞물려 고정시키십시오.
	배터리를 방전시키십시오.	▶ 배터리를 교체하고 방전된 배터리를 충전하십시오.
1 개 LED 깜박입니다.	배터리 과열 또는 과냉 상태.	▶ 배터리를 권장된 작동온도 상태로 유지합니다.
	배터리를 방전시키십시오.	▶ 배터리를 교체하고 방전된 배터리를 충전하십시오.
4개 LED가 깜박입니다.	배터리 과열 또는 과냉 상태.	▶ 배터리를 권장된 작동온도 상태로 유지합니다.
	로타리 함마 드릴 잠깐 동안 과부하.	▶ 컨트롤 스위치에서 손을 떼고 스위치를 다시 조작하십시오.
	과열방지장치.	▶ 로타리 함마 드릴을 냉각시키고 환기 슬롯을 청소하십시오.

**8.3 로타리 함마 드릴이 작동됩니다.**

장애	예상되는 원인	해결책
타격이 되지 않음.	로타리 함마 드릴 과냉 상태.	▶ 로타리 함마 드릴을 바닥에 두고 공회전 상태로 작동시키십시오. 필요한 경우 함마링 장치가 작동될 때까지 과정을 반복하십시오.
	"함마링 컷아웃"에 놓인 기능 선택 스위치	▶ 기능 선택 스위치를 "함마드릴링" 위치에 두십시오
컨트롤 스위치를 누를 수가 없음 또는 블로킹됨. 기기 스피들이 회전하지 않음.	정회전/역회전 스위치가 중간위치에 있음.	▶ 정회전/역회전 스위치를 좌측 또는 우측으로 누르십시오.
	로타리 함마 드릴 일렉트로닉의 허용되는 작동 온도를 초과함.	▶ 로타리 함마 드릴을 냉각시키십시오.
	배터리를 방전시키십시오.	▶ 배터리를 교체하고 방전된 배터리를 충전하십시오.



장애	예상되는 원인	해결책
로타리 함마 드릴이 자동으로 꺼지지 않음.	과부하 방지 기능 작동됨.	▶ 컨트롤 스위치에서 손을 떼십시오. 로타리 함마 드릴을 냉각시키십시오. 컨트롤 스위치를 조작하십시오. 기기 부하를 줄이십시오.
배터리가 평소보다 빨리 방전됨.	배터리 상태가 최적 아님.	▶ 배터리를 교체하십시오.
배터리를 밀어 넣을 때 "이중으로 찰카하는 소리"가 들리지 않음.	배터리 래치 오염됨.	▶ 배터리 래치를 청소하고 배터리를 다시 끼우십시오.
로타리 함마 드릴 또는 배터리에서 과도한 열 발생.	전기적 결함	▶ 로타리 함마 드릴의 전원을 끄십시오. 배터리를 제거한 후 배터리를 관찰하십시오. 배터리를 냉각시키십시오. <b>Hilti</b> 서비스센터에 문의하십시오.
	로타리 함마 드릴 과부하(사용 한계 초과).	▶ 용도에 적합한 기기를 선택하십시오.
드릴 비트가 잠금상태에서 풀리지 않음.	척 아담타를 완전히 뒤로 당기지 않았음.	▶ 공구 잠금장치를 스톱 위치까지 뒤로 당겨 공구를 빼내십시오.
드릴 비트 작업이 진행되지 않음.	로타리 함마 드릴을 역회전 위치로 전환하십시오.	▶ 정회전/역회전 스위치를 '정회전' 위치로 전환하십시오.

## 9 폐기

**Hilti** 기기는 대부분 재사용이 가능한 소재로 제작되었습니다. 재활용을 위해 개별 부품을 분리하여 주십시오. **Hilti**는 대부분의 국가에서 재활용을 위해 노후기기를 수거해 갑니다. **Hilti** 고객 서비스센터 또는 판매 상담자에게 문의하십시오.



- ▶ 전동 공구, 전자식 기기 및 배터리를 일반 가정 쓰레기로 폐기하지 마십시오!

## 10 제조회사 보증

- ▶ 보증 조건에 관한 질문사항은 **Hilti** 파트너 지사에 문의하십시오.

# 原始操作說明

## 1 文件相關資訊

### 1.1 關於此文件

- 初次操作或使用前，請先詳讀此文件。本文件包含安全前提、疑難排解處理和產品使用。
- 請遵守本文中與產品上的安全說明和警告。
- 操作說明應與產品一起保管，產品交予他人時必須連同操作說明一起轉交。

### 1.2 已使用的符號說明

#### 1.2.1 警告

警告使用本產品的人員可能發生之危險。採用了以下標示文字：



**危險**

危險！

- ▶ 此標語警示會發生對人造成嚴重傷害甚至致死的危險情形。



### 警告

#### 警告！

- ▶ 此標語警示會造成嚴重傷害甚至致死危險的潛在威脅。

### 注意

#### 注意！

- ▶ 此標語警示可能會發生造成人員受傷，或造成設備及其他財產損壞之危險狀況。

## 1.2.2 文件中的符號

本文件中採用以下符號：

	使用前請閱讀操作說明。
	使用說明與其他資訊
	處理可回收的材料
	不可將電子設備與電池當作家庭廢棄物處置

## 1.2.3 圖解中的符號

圖解中採用了以下符號：

	號碼對應操作說明的開始處的圖解
	編號代表圖解中的操作步驟順序，可能與內文中的步驟有所不同
	項目參考編號用於總覽圖解，並請參閱產品總覽章節中使用的編號
	本符號是為了讓您在操作本產品時可以注意某些重點。

## 1.3 產品專屬符號

### 1.3.1 產品上的符號

產品上會採用下列符號：

	鑽孔時無鎚擊動作
	以鎚擊動作進行鑽孔（鎚擊鑽孔）
	正轉 / 逆轉
$n_0$	無負載下的額定速率
/min	每分轉數
	直流電（DC）
Li-Ion	鋰電池
	使用Hilti鋰電池類型系列。請遵守用途一節所提供之資訊。
	請勿將電池使用作為敲擊工具。
	避免電池掉落。不得使用遭受衝擊或其他原因遭成損壞的電池。
	機具支援近距離無線通訊（NFC）技術，其相容於iOS及Android平台。



## 1.4 產品資訊

產品是針對專業使用者設計，故僅經訓練、認可的人員可操作、維修與維護本產品。必須告知上述人員關於可能遭遇到的特殊危險。若因未經訓練人員操作錯誤或未依照其原本的用途操作，則本產品和它的輔助工具設備有可能會發生危險。類型名稱和序號都標示於額定銘牌上。

▶ 在下方表格中填入序號。與Hilti維修中心或當地Hilti機關聯絡查詢產品相關事宜時，我們需要您提供產品詳細資訊。

### 產品資訊

機具型號：	TE 2-A22
產品代別：	02
機具序號：	

## 1.5 符合聲明

基於我們唯一的責任，本公司在此聲明本產品符合適用的指示或標準。本文件結尾處有符合聲明之副本。技術文件已歸檔並存放在：

Hilti Entwicklungsgesellschaft mbH | Tool Certification | Hiltistraße 6 | 86916 Kaufering, DE

## 2 安全性

### 2.1 一般電動機具安全警告

#### 警告

請詳閱所有的安全警示及說明。未能遵守以下警示及說明可能會造成電擊事故、火災和 / 或嚴重的傷害。妥善保存所有警示及說明，以供將來參考。

#### 工作區域安全

- ▶ 請保持工作區的清潔與採光充足。雜亂而昏暗的工作區會導致意外發生。
- ▶ 勿在容易發生爆炸的環境中使用機具，例如有可燃性液體、瓦斯或粉塵存在的環境。機具產生的火花可能會引燃塵埃或煙霧。
- ▶ 操作機具時，請與兒童及旁人保持距離。注意力不集中時容易發生失控的情形。

#### 電力安全

- ▶ 避免讓身體接觸到如管線、散熱器、爐灶與冰箱等與土地或地表接觸之物品。如果您的身體接觸到地表或地面，將增加電擊的危險。
- ▶ 請勿將機具曝露在下雨或潮濕的環境中。若水氣進入機具中將增加觸電的危險。

#### 人員安全

- ▶ 操作機具時，請提高警覺，注意進行中的工作並善用常識。感到疲勞或受到藥物、酒精或治療的影響時勿使用機具。操作機具時稍不留神就可能造成嚴重的人員傷亡。
- ▶ 穿戴個人防護裝備。請隨時穿戴眼罩。適當使用防塵面罩、防滑鞋、安全帽及耳罩等安全防護配備可減少人員的傷害。
- ▶ 避免不經意的啟動。在接上電池組、抬起或攜帶機具之前，務必確認開關處於關閉的位置。攜帶機具時，如果把手指放在開關上，或在開關開啟時，將機具插上插頭容易發生意外。
- ▶ 啟動機具前，應將所有調整鑰匙或扳手移開。將扳手或鑰匙留在機具的旋轉零件中可能會造成人員傷害。
- ▶ 勿將手伸出過遠。隨時站穩並維持平衡。這可讓您在意外情況發生時，對機具有較好的控制。
- ▶ 穿著適當服裝。請勿穿著寬鬆的衣服或佩戴珠寶。頭髮、衣服與手套應遠離移動性零件。移動性零件可能會夾到寬鬆的衣服、珠寶或長髮。
- ▶ 如果機具可連接吸塵裝置與集塵設備，請連接並適當使用這些設備。使用集塵裝置可降低與粉塵有關的危險。

#### 機具使用與保養

- ▶ 不可強制使用機具。依據用途使用正確的機具。根據設計的速率使用機具可更快速安全地完成工作。
- ▶ 若開關無法啟動或關閉電動工具時，請勿使用電動工具。任何無法以開關控制的機具都很危險且需要維修。
- ▶ 在對電動工具進行調整、更換配件或存放前，請先拔下電池組。此預防安全措施可降低機具意外啟動的風險。
- ▶ 將閒置的機具貯放在兒童拿不到的地方，勿讓不熟悉或未詳閱本說明的人員操作本機具。機具在未經訓練的使用者手中是很危險的。
- ▶ 維護機具。請檢查移動性零件有無偏移或黏合的情形、零件有無破損，以及任何會影響機具運轉的狀況。如果機具受損，請先修理再使用。很多意外便是由維護不當的機具造成的。



- ▶ 保持切割機具的銳利與清潔。具銳利切割邊緣的切割機具如果得到適當的維護，便較不會發生黏合的現象，且較容易控制。
- ▶ 遵守本指示說明使用機具、配件和工具組等，並考量工作條件與待進行的工作。將機具用在原目的之外之用途可能會造成危險。

#### 電池機具的使用與保養

- ▶ 僅使用原廠指定的充電器進行充電。將適合特定類型電池的充電器用在其它電池時，會有引發火災的危險。
- ▶ 請僅使用機具特別指定的電池匣。使用其他電池匣可能會造成人員傷亡與火災。
- ▶ 電池匣未使用時，請將其遠離如迴紋針、錢幣、鑰匙、針、固定釘或其他會在電池兩極間形成連結的小型金屬物件。在電池兩極間建立短路會造成灼傷或引起火災。
- ▶ 若使用不當，可能會有液體由電池流出；請避免接觸該液體。若不慎接觸，請以清水沖洗。如果不小心讓液體接觸到眼睛，請立即尋求醫療援助。從電池中滲出的液體，可能會導致過敏或燙傷。

#### 維修服務

- ▶ 請將機具交給合格的維修人員進行維修，並使用相同的替代零件。這可確保維護機具安全。

## 2.2 旋轉鎚的其他安全說明

### 人員安全

- ▶ 請使用狀態良好無瑕疵的產品。
- ▶ 勿嘗試以任何方式改裝機具。
- ▶ 請使用機具輔助握把。機具失控可能導致人員受傷。
- ▶ 若工作包含鑿穿作業，請於工件另一面一併採取適當的防護措施。鑿穿的碎片會掉落和 / 或造成他人受傷。
- ▶ 以雙手握持機具的握把。請保持機具握把清潔和乾燥。
- ▶ 在執行配件工具可能會接觸到隱藏線路之工作時，請以握住絕緣握把的方式手持機具。若配件工具與帶電線路接觸，機具的金屬零件也會通電，而造成觸電的情況。
- ▶ 避免接觸旋轉中零件 – 有受傷的危險！
- ▶ 使用機具時，請穿戴適當的護目鏡、耳罩、防護手套以及輕型呼吸保護器。
- ▶ 請在更換配件時也戴上防護手套。觸摸配件可能會造成受傷（割傷或燙傷）。
- ▶ 穿戴護目鏡。飛散的碎片可能會傷害身體與眼睛。
- ▶ 在開始作業前，請先針對作業時所產生粉塵之危險等級進行確認。使用符合當地粉塵防治條例，且經法定認為保護等級之工業用吸塵器。含鉛塗料、某些木材及含石英之混凝土 / 石材 / 石頭、礦物質或金屬等材料的粉塵均對身體有害。
- ▶ 請確保工作場所有良好通風，必要時，請依會產生的粉塵類型穿戴適合的口罩。操作人員與旁觀者接觸或吸入粉塵可能會引起過敏及 / 或造成呼吸問題或其他疾病。像是橡木與山毛櫸木材的粉塵已列為致癌物質，尤其是當它們使用調濕塗料（鉻酸鹽、木材防腐劑）時。含石棉之材料僅可交由專業人員處理。
- ▶ 請適時休息，並活動您的手指以促進血液循環。長時間暴露在震動下會造成手指、手掌和手腕的血管和神經系統失調。

### 電力安全

- ▶ 開始工作前，請先檢查工作區域是否有隱藏的電纜線、瓦斯管或水管。若不小心損害電纜線時，機具外部的金屬零件可能會導電而造成電擊的危險。

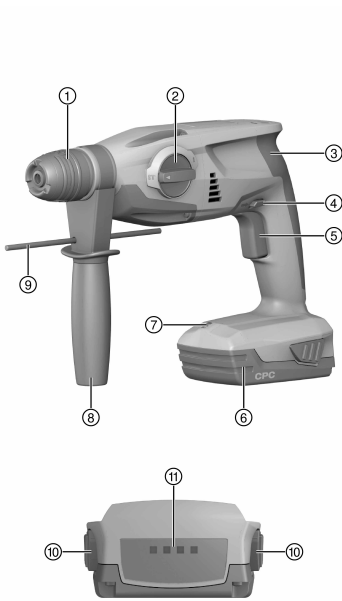
### 機具使用與保養

- ▶ 若配件工具卡住時請立即關閉機具。機具可能會絞到線材。
- ▶ 請等候機具完全停止再將其放下。



### 3 說明

#### 3.1 產品總覽



- ① TE-C Click夾頭
- ② 功能選擇開關
- ③ 握把
- ④ 帶有安全鎖的正轉 / 逆轉選擇開關
- ⑤ 控制開關
- ⑥ 電池
- ⑦ 工作場所照明燈
- ⑧ 側向握把
- ⑨ 深度計
- ⑩ 帶有其他功能的鬆開鈕 (充電狀態顯示啟動)
- ⑪ 電池充電狀態顯示

#### 3.2 用途

本產品為電池動力旋轉鎚。適用於鋼板、木材、水泥牆鑽孔和混凝土牆鎚擊鑽孔，以及裝卸螺絲。

- 本產品限使用B 22系列Hilti鋰電池。
- 僅可使用經Hilti認可的電池充電器為電池充電。可從Hilti Store或[www.hilti.group](http://www.hilti.group)取得更多資訊。

#### 3.3 鋰電池電量顯示

當使用鋰電池時，輕觸一下電池拆卸鈕會顯示其充電狀態。

狀態	意義
4個LED亮起。	充電狀態：75 %至100 %
3個LED亮起。	充電狀態：50 %至75 %
2個LED亮起。	充電狀態：25 %至50 %
1個LED亮起。	充電狀態：10 %至25 %
1個LED閃爍。	充電狀態：< 10 %

當機具正在操作或剛操作後無法讀取其電池充電狀態。若電池充電狀態LED燈閃爍，請參閱故障排除一節所提供的資訊。

#### 3.4 配備及數量

旋轉鎚、側向握把、深度計、操作說明。

TE DRS-S除塵設備組可大幅減少粉塵量，為可搭配使用的配件。

關於本產品，您可於當地Hilti Store或網站查詢其他經過認證可搭配使用的系統產品：[www.hilti.group](http://www.hilti.group)



## 4 技術資料

### 4.1 旋轉鉗

	<b>TE 2-A22</b>
額定電壓	21.6 V
重量 (依據EPTA Procedure 01) , 含B228.0電池	3.3 kg
混凝土 / 石材鑽孔直徑範圍 (鉗擊鑽孔)	4 mm ... 16 mm
鑽孔直徑範圍 - 金屬 (實心鑽頭)	0 mm ... 10 mm
深度計的最大長度	180 mm

### 4.2 噪音資訊及震動值

操作說明中所提供之音壓和震動值已參照標準測量，並可用來比較不同電子機具之噪音。它們也可作為噪音量的初步評估。提供之資料表示電子機具主要應用時之數值。若電子機具應用於不同之用途，搭配不同的配件或在保養不良的情況下，其數據可能有所不同。在作業過程中，這有可能大量提高其噪音量。當機具關閉，或開啟但未進行任何作業時也應列入考量，才能準確評估噪音量。如此一來，作業過程中的總噪音量將大幅降低。確認其他安全措施，以保護操作員不受噪音和 / 或震動影響，例如：保養機具與其配件、操作前保持雙手溫暖、作業型式之安排等。

#### 噪音值量測標準依據EN 60745

聲功率級數 ( $L_{WA}$ )	103 dB(A)
無法判定的聲功率級數 ( $K_{WA}$ )	3 dB(A)
釋放的音壓級數 ( $L_{pA}$ )	92 dB(A)
無法判定的音壓級數 ( $K_{pA}$ )	3 dB(A)

#### 震動總值 (三方向的震動向量)，量測標準依據EN 60745

混凝土鉗擊鑽孔 ( $a_{h, HD}$ )	15 m/s <sup>2</sup>
金屬鑽孔 ( $a_{h, D}$ )	2.5 m/s <sup>2</sup>
無法判定 (K)	1.5 m/s <sup>2</sup>

### 4.3 電池

電池操作電壓	21.6 V
操作時的環境溫度	-17 °C ... 60 °C
貯放溫度	-20 °C ... 40 °C
電池充電啟動溫度	-10 °C ... 45 °C

## 5 操作

### 5.1 工作場所的準備工作

#### 注意

因意外啟動 而受傷的危險！

- ▶ 置入電池前，請確認產品已關閉。
- ▶ 在調整機具或變更配件前請先將電池拆下。

請遵守本文件中與產品上的安全說明和警告。

#### 5.1.1 安裝側向握把

1. 旋轉握把以鬆開側向握把夾緊帶。
2. 將側向握把夾緊帶由前方繞過夾頭，然後推入提供的凹槽中。
3. 將側向握把轉至需要的位置。
4. 旋轉握把以鎖緊側向握把夾緊帶。

#### 5.1.2 置入電池

1. 將電池從後方推入機具的電池介面中，直到聽見咬合聲為止。



2. 請檢查電池是否安裝牢固。

### 5.1.3 卸下電池

1. 按下電池上的兩顆拆卸鈕。
2. 將電池向後方取出。

### 5.1.4 安裝配件工具

1. 在配件工具的連接頭添加少量的潤滑劑。
  - ▶ 限使用Hilti提供的建議潤滑劑。使用錯誤的潤滑劑會造成機具損壞。
2. 盡可能將配件推入夾具內，直到咬合為止。
3. 裝上配件工具後，請將其抓住並拉動以確認是否已咬合至定位。
  - ▶ 產品已可以使用。

### 5.1.5 卸下配件



#### 警告

有受傷的危險！機具使用後會變熱。

- ▶ 更換機具時請配戴手套。
- ▶ 將夾頭拉回直到移除配件工具為止。

### 5.1.6 安裝深度計 (選配)

1. 旋轉握把以鬆開側向握把夾緊帶。
2. 將深度計從前方推入的提供的兩個定位引導孔內。
3. 旋轉握把以鎖緊側向握把夾緊帶。

## 5.2 工作類型



#### 注意

有損壞的危險 因處理錯誤！

- ▶ 操作時，請勿使用旋轉方向和 / 或功能選擇開關。

請遵守本文件中與產品上的安全說明和警告。

### 5.2.1 確實照明工作場所




按下控制開關之後LED會自動啟用。鬆開控制開關後，LED會慢慢熄滅。

- ▶ 按下控制開關。

### 5.2.2 旋轉方向

- ▶ 設定旋轉方向。
  - ▶ 選擇開關會咬合在這個位置。

### 5.2.3 無鎚擊鑽孔

- ▶ 將功能選擇開關設定至本符號：

### 5.2.4 鎚擊鑽孔

- ▶ 將功能選擇開關設定至本符號：

## 6 維護和保養

### 6.1 維護和保養



#### 警告

電池裝入時有受傷的危險！

- ▶ 進行維護及保養前，請務必卸下電池！





## 機具維護及保養

- 小心地清除頑強的髒污。
- 請使用乾燥的刷子小心清潔通風口。
- 僅能使用微濕軟布清潔外殼。勿使用含硅樹脂的清潔或亮光劑，因為可能會造成塑膠零件損壞。

## 鋰電池的保養

- 避免電池沾上油脂。
- 只能使用微濕軟布清潔外殼。勿使用含硅樹脂的清潔或亮光劑，因為可能會造成塑膠零件損壞。
- 避免濕氣進入。

## 維護

- 定期檢查外部零件和控制元件有無損壞跡象，並確認它們運作正常。
- 如果有損壞跡象或任何零件功能故障，請不要操作本產品。請將產品立刻交付Hilti維修中心進行維修。
- 清潔及保養後，裝上所有防護套或保護裝置並檢查功能是否正常。



為確保操作的安全及可靠性，請務必使用原廠Hilti備件與耗材。您可以在Hilti Store或網站：選購Hilti認可的備件、耗材和配件。[www.hilti.group](http://www.hilti.group)。

## 6.2 清潔防塵套

- ▶ 定期使用乾燥而清潔的布清潔夾頭上的防塵套。
- ▶ 請小心擦拭清潔其密封口，然後再稍微上Hilti潤滑油。
- ▶ 請特別注意，若密封口受到損壞，一定要更換防塵套。

## 7 搬運和貯放

### 7.1 充電式機具的搬運與貯放

#### 搬運



**注意**

搬運時意外啟動！

- ▶ 搬運產品時務必卸下電池！
- ▶ 卸下電池。
- ▶ 切勿以堆疊（分散，未受到保護）的方式運送電池。
- ▶ 長途搬運後，在使用前請檢查機具與電池是否有損壞。

#### 設備的貯放



**注意**

電池故障或漏液造成的意外損害！

- ▶ 儲存產品時務必將電池卸下！
- ▶ 請儘可能將機具與電池貯放於陰涼乾燥處。
- ▶ 請勿將電池貯放於日光直射處、加熱裝置旁或窗台上。
- ▶ 請將機具與電池貯放在乾燥且兒童或未授權的人員無法觸及的地點。
- ▶ 長時間貯放後，在使用前請檢查機具與電池是否有損壞。

## 8 故障排除

### 8.1 故障排除

若您遇到未列出的問題或是無法自行排除的問題，請聯絡Hilti維修中心。

### 8.2 旋轉鉗不能正常運作

故障	可能原因	解決方法
旋轉鉗未啟動。	旋轉鉗已過載。	▶ 關閉旋轉鉗、卸下電池且不要繼續使用本旋轉鉗。
LED無顯示。	電池沒有完全置入。	▶ 壓下電池直到聽見咬合時發出的兩聲喀啦聲。



故障	可能原因	解決方法
LED無顯示。	電池已放電。	▶ 更換電池，並對無電量的電池再次充電。
	該電池過熱或過冷。	▶ 將電池置於建議操作溫度環境內。
1個LED閃爍。	電池已放電。	▶ 更換電池，並對無電量的電池再次充電。
	該電池過熱或過冷。	▶ 將電池置於建議操作溫度環境內。
4個LED閃爍。	旋轉鎚已暫時過載。	▶ 鬆開控制開關，接著再按一次。
	過熱防護斷電系統已啟動。	▶ 讓旋轉鎚冷卻並清潔通風口。

### 8.3 旋轉鎚能正常運作

故障	可能原因	解決方法
無鎚鑽作業。	旋轉鎚溫度太低。	▶ 讓鑽頭尖端與工作面接觸，開啟旋轉鎚使之旋轉。如果需要，請重複此程序直到鎚擊機制開始運作。
	將功能選擇開關設定至「無鎚擊鑽孔」	▶ 將功能選擇開關設定至「鎚擊鑽孔」
控制開關無法按下，意即開關鎖住。	正轉 / 逆轉開關位於中間位置。	▶ 將正轉 / 逆轉開關推向右邊或左邊。
起子軸未旋轉。	已超過旋轉鎚容許之操作溫度。	▶ 讓旋轉鎚冷卻。
	電池已放電。	▶ 更換電池，並對無電量的電池再次充電。
旋轉鎚自動關閉。	過載斷電保護系統已啟動。	▶ 鬆開控制開關。讓旋轉鎚冷卻。再次按下控制開關。減少機具上的負載。
本電池較一般電池壽命短。	電池電力非處於最佳狀態。	▶ 更換電池。
電池咬合時沒有發出兩聲「喀啦」聲。	電池上的卡榫太髒。	▶ 清潔卡榫並重新安裝電池。
旋轉鎚或電池溫度極高。	電力故障	▶ 立刻關閉旋轉鎚。請取下電池並置於可隨時觀察的位置。待其冷卻後。聯絡Hilti維修中心。
	旋轉鎚已過載（超過使用極限）。	▶ 選擇適用的機具。
彈圈夾具無法鬆開。	夾頭未完全拉回。	▶ 將夾頭拉回直到移除機具為止。
機具無法繼續作業。	旋轉鎚已設定成反轉。	▶ 將正轉 / 逆轉選擇開關移至「正轉」位置。

## 9 廢棄設備處置

Hilti機具或設備所採用的材料大部分均可回收再利用。材料在回收前必須正確地分類。在許多國家中，您可以將舊機具及設備送回Hilti進行回收。詳情請洽Hilti維修中心，或當地Hilti代理商。



- ▶ 請勿將機具、電子設備或電池當作一般家用廢棄物處理！

## 10 製造商保固

- ▶ 如果您對於保固條件有任何問題，請聯絡當地Hilti代理商。



# 原版操作说明

## 1 文档信息

### 1.1 关于该文档

- 首次操作或使用前，请阅读本文档。这是安全、无故障地操作和使用产品的前提条件。
- 请遵守本文档中以及产品上的安全说明和警告。
- 请务必将本操作说明与本产品保存在一起，确保将操作说明随产品一起交给他人。

### 1.2 使用符号的说明

#### 1.2.1 警告

警告是为了提醒您在处理或使用此产品时会发生的危险。使用以下信号词：



**危险！**

- ▶ 用于让人们能够注意到会导致严重身体伤害或致命的迫近危险。



**警告！**

- ▶ 用于提醒人们注意可能导致严重或致命伤害的潜在危险。



**小心！**

- ▶ 用于提醒人们注意可能导致轻微人身伤害、设备损坏或其他财产损失的潜在危险情形。

#### 1.2.2 文档中的符号

本文档中使用下列符号：

	请在使用之前阅读操作说明。
	使用说明和其他有用信息
	处理可回收材料
	不得将电气设备和电池作为生活垃圾处置

#### 1.2.3 图示中的符号

图示中使用了下列符号：

	这些编号指本操作说明开始处的相应图示。
	图示中的编号反映操作顺序，可能与文本中描述的步骤不同。
	概览图示中使用了项目参考号，该参考号指的是产品概览部分中使用的编号。
	这些符号旨在提醒您在操作本产品时要特别注意的某些要点。

## 1.3 与产品相关的符号

### 1.3.1 产品使用的符号

产品使用的符号如下：

	不通过锤击作用钻孔
	通过锤击作用钻孔 (锤击钻孔)



	正向/反向
$n_0$	无负荷下的额定转速
/min	每分钟转数
	直流电 (DC)
Li-Ion	锂离子电池
	使用 Hilti 锂离子电池类型系列。请遵守“预期用途”一章中所述信息。
	切勿将电池用作敲击工具。
	请勿让电池掉落。切勿使用受到撞击或有任何损坏的电池。
	电动工具支持近场通信 (NFC) 技术，兼容于 iOS 和安卓平台。

#### 1.4 产品信息

产品经设计适用于专业用户，只有经过专门训练的授权人员才允许操作、维修和维护本产品。必须将任何可能的危险专门告知该人员。不按照既定用途使用或由未经培训的人员不正确地使用本产品及其辅助设备可能会带来危险。

型号名称和序列号印在铭牌上。

▶ 在下表中填写序列号。在联系 Hilti 维修中心或当地 Hilti 机构询问产品时，将要求您提供产品的详细信息。

##### 产品信息

型号：	TE 2-A22
分代号：	02
序列号：	

#### 1.5 符合性声明

按照我们单方面的责任，我们声明本产品符合下列适用指令和标准：一致性声明副本位于本文档结尾处。

技术文档的存档和存放位置为：

Hilti Entwicklungsgesellschaft mbH | Tool Certification | Hiltistraße 6 | 86916 Kaufering, DE

## 2 安全

### 2.1 一般电动工具安全警告

#### 警告

请阅读所有安全警告和操作说明。不遵守安全警告和操作说明可能会导致电击、火灾和/或严重人身伤害。

请保存所有安全警告和操作说明，以供将来参考。

#### 工作区域安全

- ▶ 保持工作区域清洁和良好照明。杂乱和黑暗的区域容易导致事故。
- ▶ 不要在爆炸性环境中操作电动工具，例如有易燃液体、气体或灰尘。电动工具会产生可以点燃这些灰尘或烟雾的火花。
- ▶ 在操作电动工具时，要令儿童和旁观者远离工作现场。万一分心，可能会使您失去对电动工具的控制。

#### 电气安全

- ▶ 避免人体接触接地表面，如管道、散热片和冰箱。如果您的身体接地，则会增加电击危险。
- ▶ 不要将电动工具暴露在雨水或潮湿环境中。电动工具进水将会增加电击危险。

#### 人身安全

- ▶ 保持警觉，注意您正在进行的工作，并在操作电动工具的过程中，应利用自己的判断能力。当您疲劳或受到药物、酒精或医疗影响时，请不要使用电动工具。当操作电动工具时，瞬间的分心都可能导致严重的人身伤害。



- ▶ 使用个人防护装备。一定要戴上护目装置。防尘罩、防滑安全鞋、安全帽或用于适当情况下的听觉防护装置等防护装备可减少人身伤害。
- ▶ 防止电动工具意外启动。在连接电池组、拿取或运送工具前，确保开关处于关闭位置。将手指放在开关上搬运电动工具或在开关处于“打开”位置时接通电源，都可能会导致事故发生。
- ▶ 在打开电动工具之前，必须拿掉任何调整键或扳手。让扳手或调整键留在电动工具的旋转部件上可能会导致人身伤害。
- ▶ 不要操之过急。应时刻保持正确的站姿和平衡。这在意外情况下能够更好地控制电动工具。
- ▶ 应正确穿着。不要穿着松垮的衣服或佩戴首饰。让头发、衣服和手套远离运动部件。松垮的衣服、首饰或长发会卡在运动部件中。
- ▶ 如果提供有助于连接除尘和集尘设施的装置，应确保将它们连接好并正确使用。使用除尘装置可以减少与灰尘相关的危险。

#### 电动工具的使用和维护

- ▶ 不要强制使用电动工具。针对您的应用场合使用正确的电动工具。正确的电动工具在其额定设计值范围内将能够更好和更安全地工作。
- ▶ 如果通过开关不能使其打开和关闭，则请不要使用电动工具。任何不能通过开关进行控制的电动工具都是危险的，必须对其进行修理。
- ▶ 在进行调整、更换配件或存放电动工具之前，必须将电池组与电动工具断开。此预防性安全措施可减少意外启动电动工具的危险。
- ▶ 将不用的电动工具存放在儿童拿不到的地方，并且不要让不熟悉电动工具或其操作说明的人员操作电动工具。未经培训的用户操作电动工具是危险的。
- ▶ 维护电动工具。检查是否存在运动部件失调或卡滞、部件断裂和任何其它影响电动工具操作的情况。如果存在损坏，则在使用之前应修理电动工具。许多事故都是由于电动工具维护不良造成的。
- ▶ 保持切削工具锋利和清洁。带锋利切削刀的切削工具如果维护得当，很少会发生卡滞且更容易控制。
- ▶ 按照使用说明书，考虑作业条件和进行的作业来使用电动工具、附件和工具的刀头等。将电动工具用于指定用途以外的场合会导致危险。

#### 无绳（电池操作）工具/设备的使用和维护

- ▶ 充电时只能使用制造商指定的充电器。适合某种类型电池组的充电器如果被用于为另一类型电池组充电，则可能会带来火灾危险。
- ▶ 只能使用专用电池组为电动工具供电。使用任何其它电池组可能会带来人身伤害和火灾。
- ▶ 当电池组不用时，应使其远离其它金属物体，例如纸夹、硬币、钥匙、钉子、螺钉或其它小的金属物体，以免造成短路。如果电池端子被短路，则会造成人员烧伤或火灾。
- ▶ 如果持续滥用电池，则可能会造成液体从电池中喷射出来；注意避免接触到液体。如果意外接触到液体，应用水冲洗。如果液体接触眼睛，除了用大量清水冲洗外，还应立即就医。从电池中喷射出来的液体会导致疼痛或灼伤。

#### 保养

- ▶ 将你的电动工具送交专业维修人员，使用同样的备件进行修理。这样才能可确保维持电动工具（设备）的安全性。

## 2.2 旋转电锤的附加安全说明

### 人身安全

- ▶ 只有产品处于良好的技术状态时才能使用。
- ▶ 切勿试图以任何方式篡改或改造电动工具。
- ▶ 应使用随工具提供的辅助把手。对工具失去控制可能会导致人身伤害。
- ▶ 在需要穿透的待加工工件的对侧采取适当的安全措施。被钻下的工件部分可能会弹出或掉落并伤害到其他人。
- ▶ 请务必用双手通过提供的把手握住电动工具。保持把手清洁干燥。
- ▶ 配套工具可能会接触到隐藏的线束，工作时应握住电动工具绝缘把手表面。如果配套工具接触到带电电线，电动工具的金属部件也将带电，从而导致触电。
- ▶ 避免接触旋转零件 - 人身伤害的危险！
- ▶ 使用电动工具时，必须佩戴适当的护目镜、安全帽、护耳装置、防护手套和轻型呼吸防护装置。
- ▶ 更换配件工具时，戴上防护手套。触摸配套工具会带来伤害风险（割伤或烫伤）。
- ▶ 请戴上护目装置。飞溅的碎片有导致身体和眼睛受伤的风险。
- ▶ 在开始工作之前，应测定工作时会产生的粉尘的危险等级。使用具有官方认可防护等级的工业真空吸尘器，并遵守当地适用的粉尘防护规定。一些材料产生的粉尘（例如含铅油漆、某些类型的木材以及含有石英、矿物或金属的混凝土/砖石/石块）可能对人体健康有害。
- ▶ 确保工作场所通风良好，必要时佩戴适用于产生的粉尘类型的呼吸器。接触或吸入这些粉尘可能会导致操作者或旁观者出现过敏性反应和/或呼吸疾病或其他疾病。某些种类的粉尘还属于致癌物质，例如橡木和山毛榉粉尘，特别是在带木料调节添加剂（铬酸盐、木材防腐剂）时。仅允许专业人员处理包含石棉的材料。



- ▶ 抽出时间休息并做体育锻炼，改善手指的血液循环状况。工作期间长时间暴露于振动环境可能导致手指、手掌和手腕部位血管和神经系统紊乱。

### 电气安全

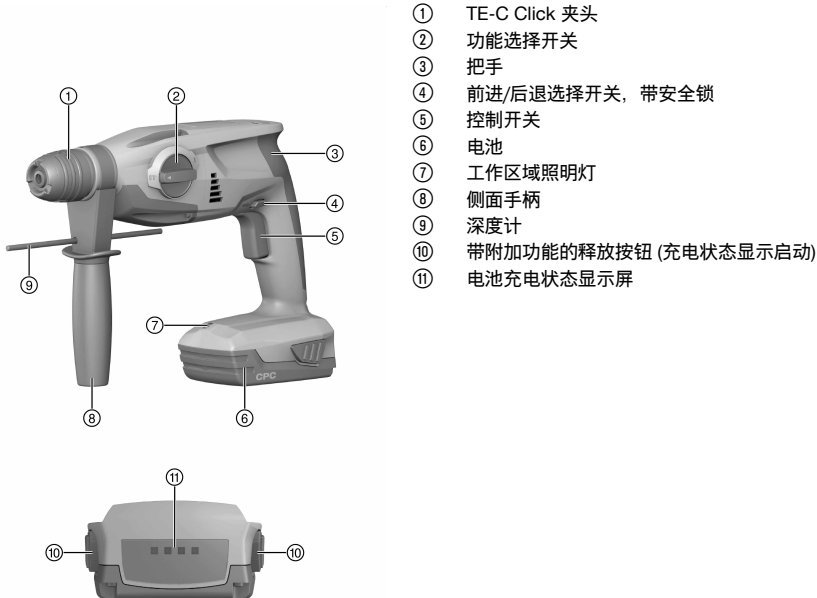
- ▶ 开始工作之前，检查工作区域是否有隐蔽的电缆或天然气和水管。如果您意外损坏了电缆，电动工具的外部金属部件可能带电，带来电击风险。

### 电动工具的使用和维护

- ▶ 如果配套工具卡住，应立即关闭电动工具。电动工具可能会抱死。
- ▶ 直至电动工具完全停止才可将其放下。

## 3 说明

### 3.1 产品概述



- ① TE-C Click 夹头
- ② 功能选择开关
- ③ 把手
- ④ 前进/后退选择开关，带安全锁
- ⑤ 控制开关
- ⑥ 电池
- ⑦ 工作区域照明灯
- ⑧ 侧面手柄
- ⑨ 深度计
- ⑩ 带附加功能的释放按钮 (充电状态显示启动)
- ⑪ 电池充电状态显示屏

### 3.2 预期用途

所述产品为用电池供电的旋转电锤。它设计用于对混凝土和砖石进行锤击钻孔，对钢、木材和砖石钻孔以及敲入和拔出螺钉。

- 本产品仅可与 Hilti B 22 系列锂离子电池搭配使用。
- 此类电池仅限使用 Hilti 认可的充电器充电。更多信息可访问 **Hilti Store** 或 **www.hilti.group**

### 3.3 锂离子电池状态显示

使用锂离子电池时，可通过按下其中一个电池释放按钮显示充电状态。

状态	含义
4 个 LED 亮起。	充电状态：75% 至 100%
3 个 LED 亮起。	充电状态：50% 至 75%
2 个 LED 亮起。	充电状态：25% 至 50%
1 个 LED 亮起。	充电状态：10% 至 25%



状态	含义
1 个 LED 闪烁。	充电状态 : < 10%

当电动工具在使用时或在刚使用完之后, 不会指示充电状态。若电池充电状态 LED 闪烁, 请参考故障排除章节中的信息。

### 3.4 供应的部件

旋转电锤、侧面手柄、深度计、操作说明。

TE DRS-S 除尘模块可大大减少粉尘排放, 以配件形式提供。

经批准可以与本产品搭配使用的其它系统产品, 可以在您当地的 **Hilti Store** 购买或访问 [www.hilti.group](http://www.hilti.group) 在线订购

## 4 技术数据

### 4.1 旋转电锤

	TE 2-A22
额定电压	21.6 V
符合 EPTA Procedure 01 要求的重量 (包括 B22/8.0 电池)	3.3 kg
混凝土/砖石建筑的钻孔直径范围 (锤击钻孔)	4 mm ... 16 mm
金属钻孔直径范围 (实心钻头)	0 mm ... 10 mm
深度计的最大长度	180 mm

### 4.2 噪声信息和振动值

这些说明中给出的声压和振动值是按照标准化测试进行测量的, 可用于比较一个电动工具与另一个电动工具。它们还可用于初步评价受振动影响的程度。提供的数据代表本电动工具的主要应用场合。但是, 如果将电动工具用于不同的应用场合、使用不同的配件工具或维护不良, 则数据可能不同。这可能会显著增加操作者在整个工作期间受振动影响的程度。对受振动影响程度的准确估计还应考虑当关闭电动工具或当它运行但实际未进行工作时的情况。这可能会显著减小操作者在整个工作期间受振动影响的程度。此外, 应确定附加安全措施, 以保护操作者免受噪音和/或振动影响, 例如: 正确维护电动工具和配件、保持双手温暖、制订合理的工作计划等。

按照 EN 60745 标准确定的噪声排放值

声 (功率) 级 ( $L_{WA}$ )	103 dB(A)
声音功率级的不确定性 ( $K_{WA}$ )	3 dB(A)
排放声压级 ( $L_{pA}$ )	92 dB(A)
声压级的不确定性 ( $K_{pA}$ )	3 dB(A)

总振动值 (三维矢量和), 按照 EN 60745 测量

在混凝土中锤击钻孔 ( $a_{h, HD}$ )	15 m/s <sup>2</sup>
在金属中钻孔 ( $a_{h, D}$ )	2.5 m/s <sup>2</sup>
不确定性 (K)	1.5 m/s <sup>2</sup>

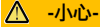
### 4.3 电池

电池工作电压	21.6 V
工作环境温度	-17 °C ... 60 °C
存放温度	-20 °C ... 40 °C
电池充电起始温度	-10 °C ... 45 °C



## 5 操作

### 5.1 工作现场的准备工作



-小心-

人身伤害的危险！意外启动会带来伤害风险！

- ▶ 插入电池前，确保已关闭产品。
- ▶ 对电动工具执行任何调节或更换配件前，先取出电池。

请遵守本文档中以及产品上的安全说明和警告。

#### 5.1.1 安装侧面手柄

1. 通过转动手柄握柄释放侧面手柄夹紧带。
2. 将侧面手柄夹紧带越过夹头从前面滑入提供的凹槽中。
3. 将侧面手柄调整到期望的位置。
4. 通过转动手柄握柄紧固侧面手柄夹紧带。

#### 5.1.2 插入电池

1. 将电池推入工具上的电池接口，直至听见接合的“咔哒”声。
2. 检查并确认电池已可靠就位。

#### 5.1.3 拆下电池

1. 按下电池上的释放按钮。
2. 朝看后部拉出电池。

#### 5.1.4 安装配套工具

1. 在配套工具的连接端涂抹少量润滑脂。
  - ▶ 请仅使用 Hilti 提供的推荐润滑脂。使用错误的润滑脂可能会导致工具损坏。
2. 将配件工具推入夹头中并推到底（直至它接合）。
3. 安装配套工具后，请务必握住并拉动它，确认其已可靠接合。
  - ▶ 本产品处于备用状态。

#### 5.1.5 拆卸配件工具



-警告-

人身伤害的危险！工具会因使用而变得较热。

- ▶ 更换工具时，戴上防护手套。
- ▶ 向后拉动夹头，直到拉不动为止，然后拆下配套工具。

#### 5.1.6 安装深度计 (选装)

1. 通过转动手柄握柄释放侧面手柄夹紧带。
2. 将深度计从前面滑入提供的两个导向孔中。
3. 通过转动手柄握柄紧固侧面手柄夹紧带。

### 5.2 工作类型



注意

操作不正确会带来损坏风险！

- ▶ 不得在运行期间操作旋转方向和/或功能选择开关。

请遵守本文档中以及产品上的安全说明和警告。

#### 5.2.1 工作场所的照明



按下控制开关时，LED 自动启动。控制开关释放后，LED 灯慢慢熄灭。

- ▶ 按下控制开关。







### 5.2.2 旋转方向

- ▶ 设置旋转方向。
  - ▶ 选择开关在该位置接合。

### 5.2.3 不带锤击作用的钻孔

- ▶ 将功能选择开关设置到该符号：

### 5.2.4 锤击钻孔

- ▶ 将功能选择开关设置到该符号：

## 6 维护和保养

### 6.1 维护和保养



插入电池时存在人身伤害危险！

- ▶ 执行维护和保养任务之前，请务必先取出电池。

#### 本工具的维护和保养

- 小心地清除顽固污渍。
- 使用干燥的刷子小心清洁通风孔。
- 请仅使用略湿的布清洁壳体。不要使用含硅清洁剂，否则可能腐蚀塑料件。

#### 锂离子电池的保养

- 确保电池远离油和油脂。
- 请仅使用略湿的布清洁壳体。不要使用含硅清洁剂，否则可能腐蚀塑料件。
- 注意避免湿气侵入。

#### 维护

- 定期检查所有可见部件和控制器是否出现损坏迹象，确保其全部正常工作。
- 如果发现损坏迹象或如果有部件发生故障，不要操作本产品。立即将产品交由 Hilti 维修中心修复。
- 清洁和维护之后，安装所有护板或保护装置，检查并确认其正常工作。



为确保安全和可靠的操作，仅限使用喜利得原装备件和消耗品。Hilti 批准用于配合产品使用的备件、消耗品和配件可到您当地的 **Hilti Store** 购买或通过以下网址在线订购：[www.hilti.group](http://www.hilti.group)。

### 6.2 清洁防尘罩

- ▶ 使用干燥、干净的抹布定期清洁夹头上的防尘罩。
- ▶ 小心地擦拭密封唇以对其进行清洁，然后再用 Hilti 润滑脂轻轻地对其进行润滑。
- ▶ 当密封唇损坏时，必须更换防尘罩。

## 7 运输和存放

### 7.1 运输和存放无绳工具

#### 运输



运输途中的意外启动！

- ▶ 运输产品前务必将电池取出！
- ▶ 拆下电池。
- ▶ 切勿松散、未加保护地运输大批量电池。
- ▶ 在长时间运输后使用前，检查工具和电池是否损坏。

#### 存放



电池故障或泄漏导致的意外损坏！

- ▶ 存放产品前务必将电池取出！



- ▶ 将工具和电池存放在尽量凉爽和干燥的地方。
- ▶ 切勿将电池存放在阳光直射位置、加热单元上或窗玻璃后。
- ▶ 将工具和电池存放在儿童或非授权人员无法接近的干燥位置。
- ▶ 工具和电池经过长期存放后，在使用之前，检查其是否受损。

## 8 故障排除

### 8.1 故障排除

如果您碰到的问题未在此表中列出或您无法自己实施补救措施，请联系 **Hilti** 服务部门。

### 8.2 旋转电锤不正常工作

故障	可能原因	解决方案
旋转电锤不启动。	旋转电锤已过载。	▶ 关闭旋转电锤，取出电池，不要继续使用旋转电锤。
LED 无指示。	电池未完全插入。	▶ 推入电池，直到听到其接合的双咔嗒声。
	电池放电。	▶ 更换电池，并对已放电电池充电。
	电池过热或过冷。	▶ 将电池调整至推荐的工作温度。
1 个 LED 闪烁。	电池放电。	▶ 更换电池，并对已放电电池充电。
	电池过热或过冷。	▶ 将电池调整至推荐的工作温度。
4 个 LED 闪烁。	旋转电锤已短时间过载。	▶ 释放控制开关，然后再次将其按下。
	过热保护切断功能已经启动。	▶ 使旋转电锤冷却下来，然后清洁通风口。


### 8.3 旋转电锤正常工作

故障	可能原因	解决方案
没有锤击作用。	旋转电锤过冷。	▶ 使钻头尖接触到工作面，打开旋转电锤并使其运转。必要时，重复该步骤，直到锤击机构开始工作。
	功能选择开关设置在“不通过锤击作用钻孔”位置	▶ 将功能选择开关设置到“锤击钻孔”位置
不能按下控制开关，即开关被锁止。	前进/后退开关处于中间位置。	▶ 向右或向左推动前进/后退开关。
驱动轴不旋转。	已超过旋转电锤电子装置的允许工作温度。	▶ 使旋转电锤冷却下来。
	电池放电。	▶ 更换电池，并对已放电电池充电。
旋转电锤自动自行关闭。	过载保护装置已启动。	▶ 释放控制开关。使旋转电锤冷却下来。再次按下控制开关。降低工具的负载。
电池比平常更快耗尽。	电池状况不是最佳。	▶ 更换电池。
未听到电池接合的“双咔嗒声”。	电池上的固定凸耳脏污。	▶ 清洁固定凸耳，然后重新安装电池。
旋转电锤或电池变得很热。	电气故障	▶ 立即关闭旋转电锤。取出电池并仔细观察。使其冷却下来。与 <b>Hilti</b> 中心联系。
	旋转电锤已过载 (超过应用限制)。	▶ 选择适合其预期用途的工具。
无法释放插入工具。	夹头未完全向后拉回。	▶ 向后拉动夹头，直到拉不动为止，然后拆下工具。



故障	可能原因	解决方案
电动工具不前进。	旋转电锤已设置为反向旋转。	▶ 将前进/后退选择开关移至“向前”位置。

## 9 废弃处置

 大部分用于 Hilti 工具和设备生产的材料是可回收利用的。在可以回收之前，必须正确分离材料。在很多国家，您的旧工具、机器或设备可送至 Hilti 进行回收。敬请联系 Hilti 服务部门或您的喜利得公司代表获得更多信息。



- ▶ 不得将电动工具、电子设备或电池作为生活垃圾处置！

## 10 制造商保修

- ▶ 如果您有保修条件方面的问题，请联系您当地的 Hilti 公司代表。







Hilti Aktiengesellschaft  
Feldkircherstrasse 100  
9494 Schaan | Liechtenstein

**TE 2-A22 (02)**

[2011]

2006/42/EG

2014/30/EU

2011/65/EU

2006/66/EU

EN 60745-1

EN 60745-2-6

EN ISO 12100

Schaan, 05.2015

Paolo Luccini

Head of BA Quality and Process Management  
Business Area Electric Tools & Accessories

Tassilo Deinzing

Executive Vice President  
Business Unit Power Tools & Accessories







Hilti Corporation  
LI-9494 Schaan  
Tel.:+423 234 21 11  
Fax:+423 234 29 65  
[www.hilti.group](http://www.hilti.group)



2023934